

HYPERION *series*



PROFILE LED 300W 6 COLOURS



Very flexible fixture with interchangeable optics, designed to be used in professional theatres, TV studios where higher performances are required. Thanks to the very compact LED engine, it reaches the widest mix of shades with extreme evenness/homogeneity, in addition to a full selection of white colour temperatures from 2700 to 8000K with a CRI from 94 to 97.



Light source:

- ✓ 300W, 6 colours LED engine; red, green, blue, amber, cyan and lime
- ✓ Expected life higher than 50.000 hours
- ✓ CRI from 94 to 97 according to colour temperature
- ✓ Continuous light spectrum

Optics:

- ✓ 2 high definition interchangeable lenses with zoom of 15°-30° and of 25°-50° in addition to a wide choice of fix focus lenses available on the market
- ✓ Lenses and shutters rotating block, for a better beam shaping
- ✓ Soft and even colour mixing on every beam spread

Main features:

- ✓ Extra soft dimming specific for theatre use
- ✓ "Flicker free" frequency adjustment for TV and film applications
- ✓ Colour booster, to improve the power of a single colour when not all the channels are at full at the same time
- ✓ RDM compliant
- ✓ Wide ventilation slots for better LED cooling
- ✓ Reversible graphic display
- ✓ Easy internal access for servicing

Selectable controls and functions:

- ✓ All the DMX functions settable both in 8 and 16 bit
- ✓ "Virtual colour wheel" with 8 different white colour temperatures, 30 preselected colours and 8 slots available for customised colour by the user
- ✓ 2 selectable dimmer curves: linear and tungsten
- ✓ "Amber shift" effect of the white, for tungsten lamp emulation
- ✓ Adjustable delay in turn on and switch off to emulate the halogen lamps
- ✓ Software implementation through XLR DMX connector
- ✓ Settable automatic switching off of the display
- ✓ 2 local potentiometers for general dimmer and settings of the "virtual colour wheel" (colours and whites)

Control "Personality" selection:

- ✓ Easy: 3 ch: dimmer, colour wheel, strobe
- ✓ CMY: to emulate the subtractive synthesis typical of the "moving heads"
- ✓ RGB: for an easier colour selection
- ✓ 8 bit RGBACL: 8 ch: gen dimmer, red, green, blue, amber, cyan, lime, strobe
- ✓ Full 16 bit: gen dimmer, colours, CCT, colour wheel, strobe
- ✓ Theatre/TV: 16 bit dimmer, CCT, white point

- adjustment, strobe
- ✓ HSI: Hue and saturation
- ✓ Master & slave
- ✓ Stand alone: for the independent generation of memories and sequences

Thermal control:

- ✓ Maximum room temperature: 40°C
- ✓ Automatic limit on the LED temperature with the control of the fan speed and with the adjustment of the LED current, to avoid any possible damage to the fixture in case of critical working conditions
- ✓ Selectable fan speed in: standard, "silent mode" and directly from the console

Electrical:

- ✓ Electronic autoranging power supply: 100-240V 50-60 Hz
- ✓ System power: 330W at full light
- ✓ In and Out Powercon connectors for mains
- ✓ XLR 5 pins for DMX and RDM in/out
- ✓ IP 20
- ✓ CE compliant

Accessories:

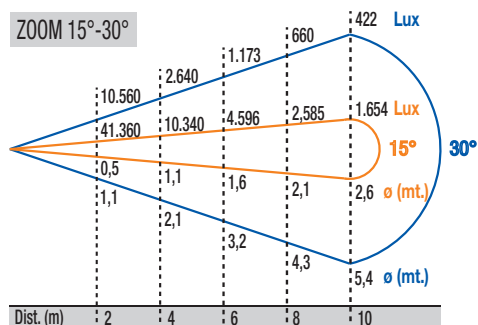
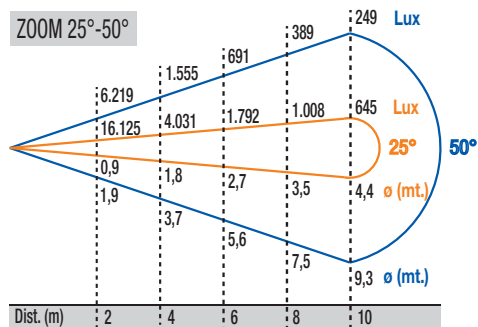
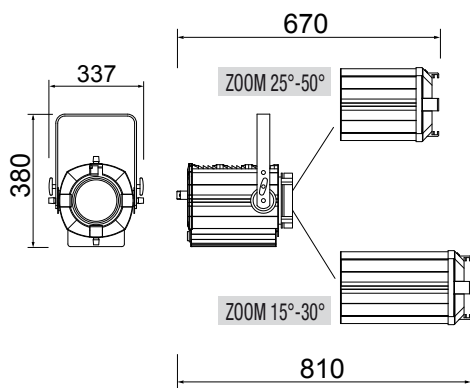
- ✓ Iris diaphragm
- ✓ Filter holder frame
- ✓ Type A gobo holder
- ✓ Type B gobo holder
- ✓ Suspension hook for 50 mm diam pipes

OPTIONS

- Pole operated version
- DMX 16 bit motorisation complete with tilt, pan and iris
- Radio control of DMX functions



DIMENSIONS (mm) - WEIGHT (Kg 13,9)



Preliminary datasheet. Spotlight reserve the right to change specifications without prior notice. All Rights Reserved.