



**Little Blue
Book**
Issue 12



Welcome to the latest edition of the Little Blue Book.

This catalogue outlines a range of goods and services available from Doughty Engineering Ltd.

Doughty began the manufacture of products for the entertainment industry in 1985 and is now one of the world's leading manufacturers of rigging, suspension and lifting equipment for film/TV, theatre and concert halls.

Quality and safety are key issues for Doughty. All our products are subjected to the most rigorous testing possible and, where appropriate, are approved by the TÜV product services. Such products show the TÜV logo.

Doughty is a member of PLASA (Professional Light and Sound Association) and adheres strictly to the standards of trading expected.

Doughty Little Blue Book is published by Doughty Engineering Limited, Crow Arch Lane, Ringwood, Hampshire, BH24 1NZ, UK.

© Doughty Engineering Ltd 2016

Telephone +44 1425 478961

Email sales@doughty-engineering.co.uk

Website www.doughty-engineering.co.uk



Doughty, Trigger Clamp and Twenty Clamp are registered Trade Marks of Doughty Engineering Limited.



Contents

Aluminium Clamps	2
Space Savers	46
Boom Arms	53
Pipe to Pipe Couplers	53
Truss Adaptors	57
Modular Rigging System	64
Suspension Clamps	75
Girder Clamps	81
Scissor Clamps	85
Beam Clamp	86
Marquee Clamps	87
Hook Clamps	90
Hooks & Eyes	99
Reutlinger Cable Holders	104
Bow Shackles	112
Safety Bonds	114
Pulleys	116
Rope & Wire Rope	125
Lever Rope Brake	127
Scenery Fixings	128
Swivel Arms	138
Floor & Wall Plates	139
3 Position Tank Traps	141
Wall Brackets	147
Pipes & Tubes	151
Scaffold Clamps	154
Speedrail	156
Pipeclamps	164
Doughty Rail	174
Six Track	178
Easydeck	196
SupaClamps	203
Grip Equipment	208
Pole Op Yokes & Projector Cradles	222
TV Brackets	224
Transporter Trolleys	226
Stand Accessories	228
Stands	235
Spigots	252
Facility Panels	261
Toughboxes	263
Internally Wired Bars	264
Studio Rail 60	266
Studio Rail 80	279
Barrel Trolleys	289
Pantographs	290
Lighting Hoists	292

Aluminium Clamps

Quick Reference Guide

Range	Tube Diameter	Width	WLL	Page(s)
Twenty Clamp	Ø48 - 51mm	28mm	20kg	4 - 5
Doughty Clamps	Ø48 - 51mm	50mm	750kg	6 - 11
Low Profile Clamps	Ø48 - 51mm	50mm	500kg	12 - 13
Stainless Fixings	Ø48 - 51mm	30mm	750kg	14 - 15
Slimline Doughty Clamps	Ø48 - 51mm	30mm	750kg	18 - 20
Lightweight Clamps	Ø48 - 51mm	50mm	500kg	21 - 23
Slimline Lightweights	Ø48 - 51mm	30mm	300kg	24 - 25
Super Lightweights	Ø48 - 51mm	30mm	75kg	26 - 27
25mm Atom Clamps	Ø25mm	21mm	100kg	28 - 30
32mm Atom Clamps	Ø32mm	30mm	100kg	28 - 30
35mm Atom Clamps	Ø35mm	30mm	100kg	28 - 30
38mm Atom Clamps	Ø38mm	30mm	100kg	28 - 30
Mammoth Clamps	Ø60 - 63mm	30mm	500kg	31 - 33
Slimline Mammoths	Ø60 - 63mm	30mm	300kg	34 - 35
Trigger Clamps	Ø48 - 51mm	30mm	200kg	36 - 37
Baby Quick Triggers	Ø25 - 38mm	25mm	40kg	38 - 39
Quick Triggers	Ø38 - 51mm	50mm	250kg	40 - 41
Slimline Quick Triggers	Ø38 - 51mm	30mm	100kg	42 - 43
Titan Quick Triggers	Ø48 - 80mm	30mm	100kg	44 - 45
Speciality Couplers				48 - 52

Aluminium Clamps at a Glance



Twenty Clamp
Pages 4 - 5



Doughty Clamps
Pages 6 - 11



Low Profile Clamps
Page 12 - 13



Stainless Fixings
Pages 14 - 15



Slimline Doughty Clamps
Pages 18 - 20



Lightweight Clamps
Pages 21 - 23



Slimline Lightweights
Page 24 - 25



Super Lightweights
Page 26 - 27



Atom Clamps
Pages 28 - 30



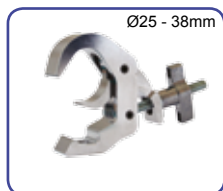
Mammoth Clamps
Pages 31 - 33



Slimline Mammoths
Pages 34 - 35



Trigger Clamps
Pages 36 - 37



Baby Quick Triggers
Pages 38 - 39



Quick Trigger Clamps
Pages 40 - 41



Slimline Quick Triggers
Pages 42 - 43



Titan Quick Triggers
Pages 44 - 45



Space Savers
Pages 46 - 51



Speciality Couplers
Pages 48 - 52



Boom Arms
Pages 53 - 56



Truss Adapters
Pages 57 - 63

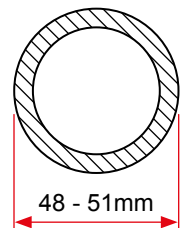
Twenty Clamp®

The Twenty Clamp is the latest addition to our range of aluminium clamps. Manufactured from pressure die cast aluminium, the Twenty Clamp has been designed to eliminate truss damage usually associated with steel hook clamps.

This stylish compact clamp has a WLL of 20kg and can be secured to tubes of 48 - 51mm diameter with just two turns of the Doughty knob. As with all major Doughty products the Twenty Clamp carries full CE marking and TÜV approval.

Main features:

- WLL 20kg
- TÜV approval
- Captive M10 or M12 bolt
- Fits 48 - 51mm diameter tubes
- Two turns to secure clamp
- Pressure die cast aluminium
- Prevents damage to thin wall truss



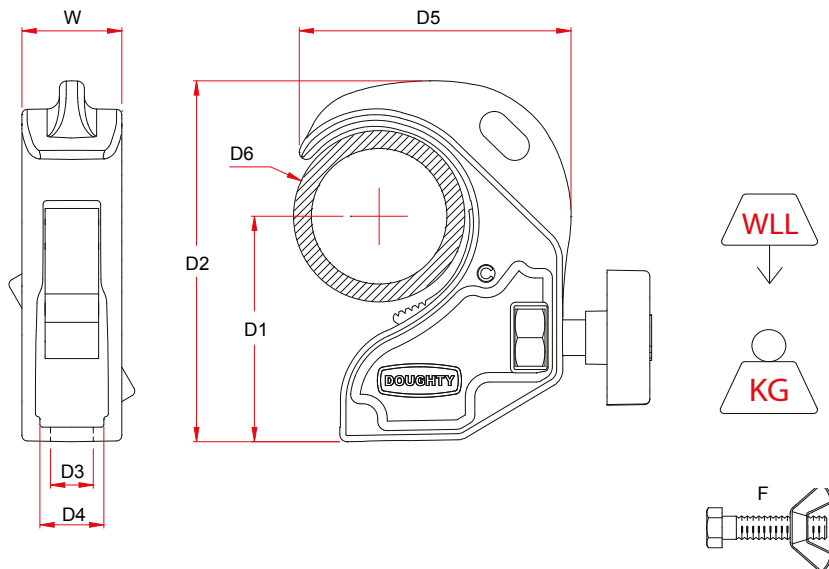


T58400



Twenty Clamp

WLL	20kg	D5	76mm
D1	63mm	D6	Ø48 - 51mm
D2	100mm	W	28mm
D3	Ø12.5mm	kg	0.26kg
D4	M10 & M12	F	M10 x 30



Laser Engraving

Doughty Engineering now offers professional laser engraving on all aluminium clamps. Any order over 100 units can now receive this fantastic offer at no extra charge. (Offer excludes T58400 Twenty Clamp)

State-of-the-art laser technology enables precise engraving of the highest quality - the perfect way to personalise clamps with your company logo.



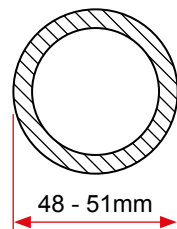
Doughty® Clamps

Doughty Clamps combine strength and durability with a high degree of safety. Constructed from high tensile aluminium & finished in either polished aluminium or black powder coated they provide a secure fixing for tubes with external diameters from 48 - 51mm.

These clamps are slotted, allowing the use of a captive M12 nut or bolt head, enabling users to create fixings suited to their own individual requirements. This clamp has been TÜV tested and approved with a WLL of up to 750kg.

Main features:

- WLL 750kg
- TÜV approval
- Captive M12 bolt
- Fits 48 - 51mm diameter tubes
- High tensile aluminium





T57000 - SILVER



T57200 - SILVER



T57120 - SILVER



T57010 - BLACK



T57201 - BLACK



T57121 - BLACK

DOUGHTY CLAMP

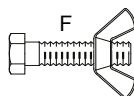
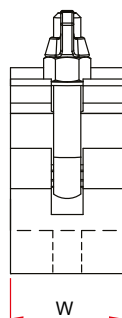
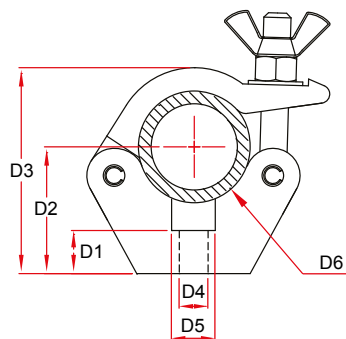
WLL	750KG
D1	19MM
D2	55MM
D3	90MM
D4	Ø12.7MM
D5	19MM
D6	Ø48 - 51MM
W	50MM
KG	0.63KG

DOUGHTY HOOK CLAMP

WLL	750KG
D1	19MM
D2	55MM
D3	90MM
D4	Ø12.7MM
D5	19MM
D6	Ø48 - 51MM
W	50MM
KG	0.71KG
F	M12 x 50

DOUGHTY CLAMP WITH EASY GRIP

WLL	750KG
D1	19MM
D2	55MM
D3	90MM
D4	Ø12.7MM
D5	19MM
D6	Ø48 - 51MM
W	50MM
KG	0.63KG





DOUGHTY SWIVEL COUPLER

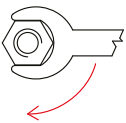
WLL	750KG
D1	110MM
D2	180MM
D3	Ø48 - 51MM
W	50MM
KG	1.33KG

DOUGHTY 90° FIXED COUPLER

WLL	750KG
D1	110MM
D2	180MM
D3	Ø48 - 51MM
W	50MM
KG	1.33KG

DOUGHTY PARALLEL COUPLER

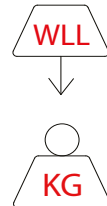
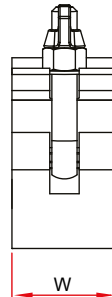
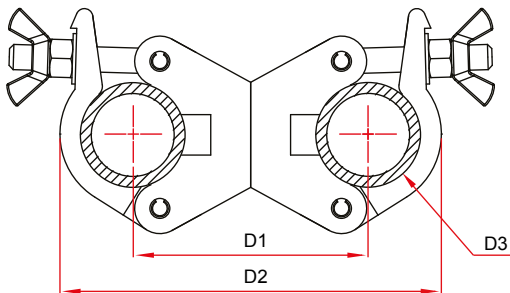
WLL	750KG
D1	110MM
D2	180MM
D3	Ø48 - 51MM
W	50MM
KG	1.33KG



MAXIMUM
TORQUE
30 N·M
22 LB·FT



TUBE DIAMETERS
48 - 51MM





T57225 - Silver
T5722501 - Black



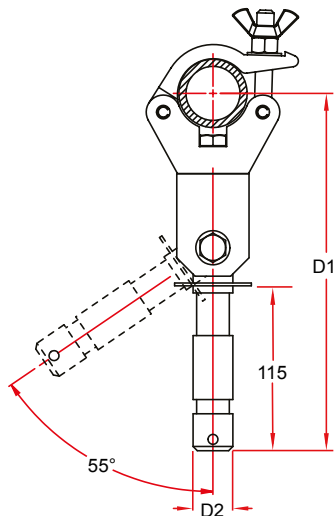
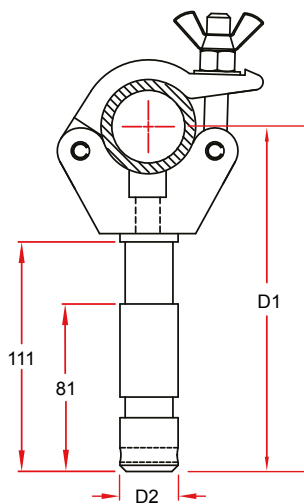
T57227 - Silver

Big Ben Clamp

WLL	200kg
D1	170mm
D2	Ø28mm
W	50mm
kg	0.86kg

Articulated Big Ben

WLL	200kg
D1	251mm
D2	Ø28mm
W	50mm
kg	1.77kg





T57223 - Silver
T57224 - Black



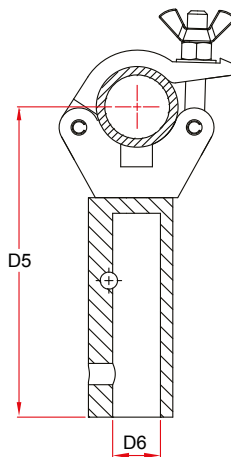
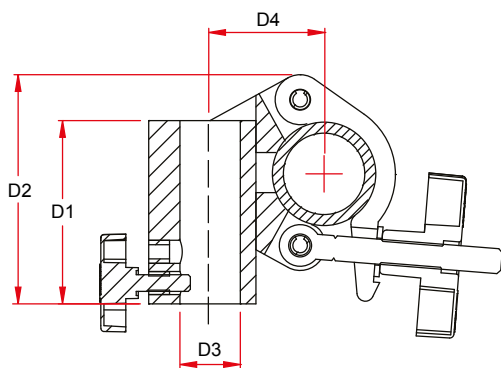
T57235 - Silver
T57236 - Black

TV Doughty Clamp

WLL	250kg
D1	83mm
D2	110mm
D3	Ø29mm
D4	55mm
W	50mm
kg	0.93kg

TV Quick Clamp

WLL	200kg
D5	190mm
D6	Ø29mm
W	50mm
kg	1.22kg





T57205



T57207



T57203



T57206



T57208



T57204

Hanging Clamp

340kg Standard Eye

WLL	340kg
D1	Ø48 - 51mm
D2	85mm
D3	Ø30mm
W	50mm
kg	0.84kg

Hanging Clamp

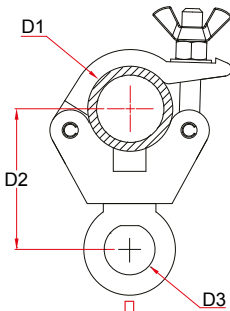
500kg Red Eye

WLL	500kg
D1	Ø48 - 51mm
D2	87.5mm
D3	Ø35mm
W	50mm
kg	0.90kg

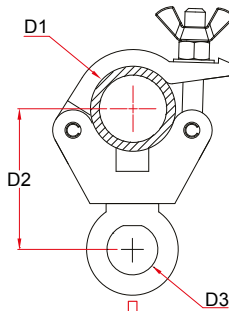
Hanging Clamp

750kg Pink Eye

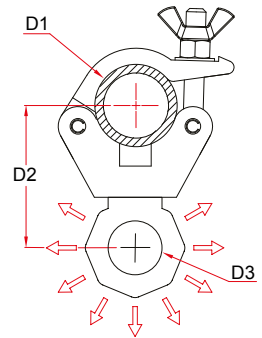
WLL	750kg
D1	Ø48 - 51mm
D2	87.5mm
D3	Ø30mm
W	50mm
kg	0.90kg



Vertical Loads Only



Vertical Loads Only



Unfavourable Loads

Doughty®

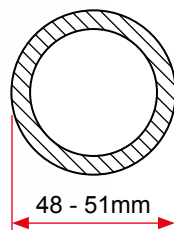
Low Profile Clamps

The Low Profile Doughty Clamp combines strength and durability with a high degree of safety. Constructed from high tensile aluminium & finished in either polished aluminium or black powder coated, this unit provides a secure fixing for tubes with external diameters from 48 - 51mm.

This clamp has been TÜV tested and approved with a WLL of 500kg.

Main features:

- WLL 500kg
- TÜV approval
- Fits 48 - 51mm diameter tubes
- High tensile aluminium





T57230



T58600



T58601



T58605 - Silver
T58606 - Black

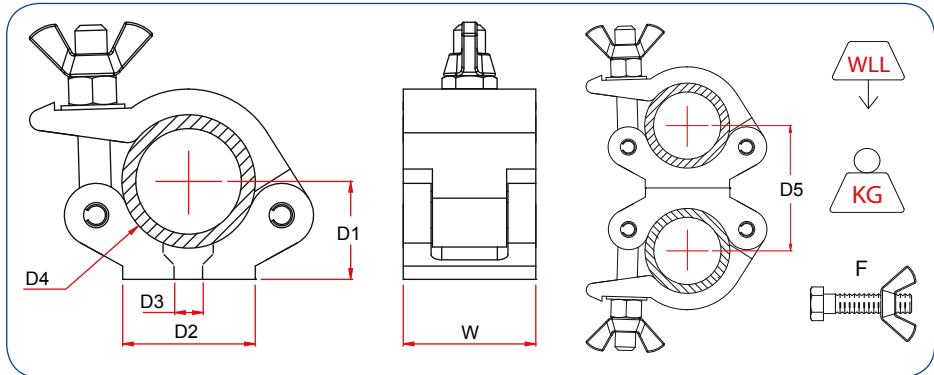
LP Weld Coupler	
WLL	500kg
D1	36mm
D2	50mm
D3	Ø12.7mm
D4	Ø48 - 51mm
W	50mm
kg	0.49kg

LP Hook Clamp	
WLL	500kg
D1	36mm
D2	50mm
D3	Ø12.7mm
D4	Ø48 - 51mm
W	50mm
kg	0.57kg

LP Swivel Coupler	
WLL	500kg
D4	Ø48 - 51mm
D5	72mm
W	50mm
kg	1.06kg

LP = Low Profile

F Countersunk M12 x 45

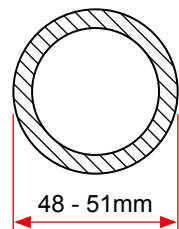


Stainless Fixings

Due to the increasing number of outdoor events using truss roof systems etc, Doughty Engineering has developed a range of Doughty Clamps with stainless steel fasteners to allow them to be used outside for prolonged periods while minimising any galvanic corrosion. These clamps have a WLL of 750kg.

Main features:

- WLL 750kg
- Captive M12 bolt
- Stainless steel fasteners
- Fits 48 - 51mm diameter tubes
- High tensile aluminium



Stainless Steel Fasteners



ST Doughty Clamp

WLL	750kg
D1	19mm
D2	55mm
D3	90mm
D4	Ø12.7mm
D5	19mm
D6	Ø48 - 51mm
W	50mm
kg	0.63kg

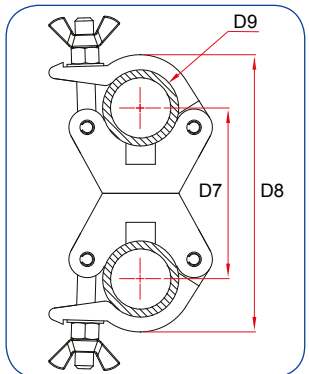
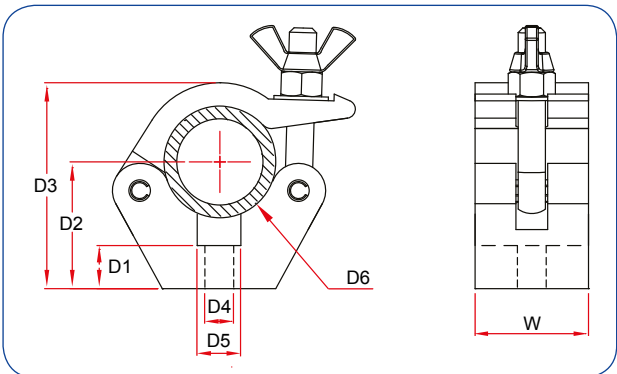
ST Slimline Clamp

WLL	750kg
D1	19mm
D2	55mm
D3	90mm
D4	Ø12.7mm
D5	19mm
D6	Ø48 - 51mm
W	30mm
kg	0.41kg

ST Swivel Coupler

WLL	750kg
D7	110mm
D8	180mm
D9	Ø48 - 51mm
W	50mm
kg	1.33kg

ST = Stainless Steel Fasteners



Slimline Doughty® Clamps

The Slimline range of Doughty Clamps carries the same features of the standard Doughty clamp range, but is just 30mm wide to allow the clamps to be used between truss webs etc. Slotted to captivate an M12 nut or bolt head, these clamps have been TÜV tested and approved with a WLL of up to 750kg.

Main features:

- WLL 750kg
- TÜV approval
- Captive M12 bolt
- Fits 48 - 51mm diameter tubes
- High tensile aluminium

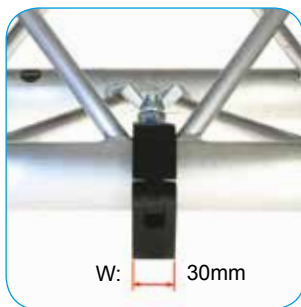




T57001



T58010



W: 30mm



T57011



T58011



T58014 - Silver
T58015 - Black

Slimline Doughty Clamp

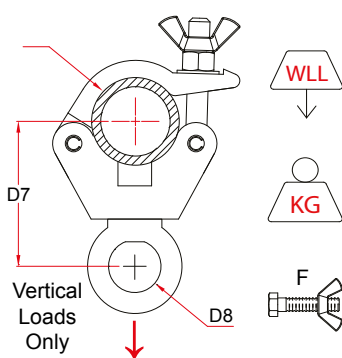
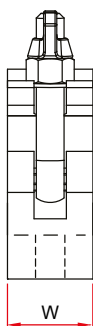
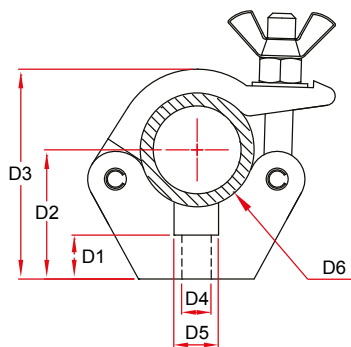
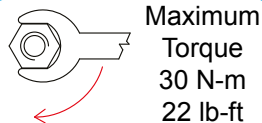
WLL	750kg
D1	19mm
D2	55mm
D3	90mm
D4	Ø12.7mm
D5	19mm
D6	Ø48 - 51mm
W	30mm
kg	0.41kg

Slimline Hook Clamp

WLL	750kg
D1	19mm
D2	55mm
D3	90mm
D4	Ø12.7mm
D5	19mm
D6	Ø48 - 51mm
W	30mm
kg	0.50kg
F	M12 x 50

Slimline Hanging Clamp

WLL	340kg
D7	82mm
D8	Ø30mm
W	30mm
kg	0.61kg





T58030 - Silver
T58031 - Black



T58026



T58018

Slimline Swivel Coupler

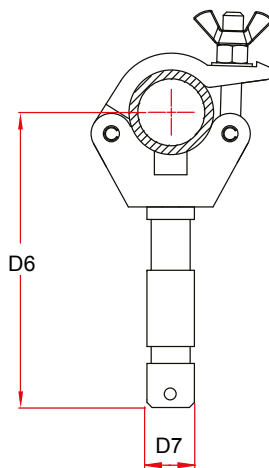
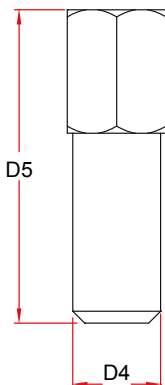
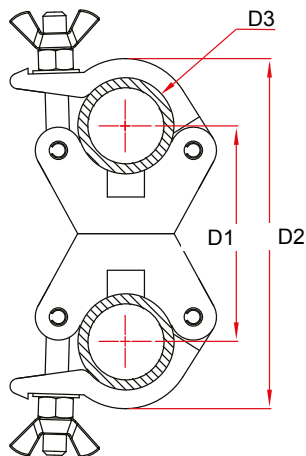
WLL	750kg
D1	110mm
D2	180mm
D3	Ø48 - 51mm
W	30mm
kg	0.89kg

Slimline Little Tom Clamp

WLL	N/A
D4	Ø19mm
D5	66mm
W	30mm
kg	0.44kg

Slimline Big Ben Clamp

WLL	200kg
D6	170mm
D7	Ø28mm
W	30mm
kg	0.48kg



Lightweight Clamps

Lightweight Doughty Clamps are constructed from high tensile aluminium extrusion and have been developed for installations where load capacities of up to 500kg are required. Designed to fit tubes with diameters of 48 - 51mm, these clamps are slotted to hold captive an M12 hexagon nut or bolt head. The lightweight half coupler has been TÜV tested and certified to a WLL and TÜV approval of 500kg. Slimline versions of this range are also available.

Main features:

- WLL 500kg
- TÜV approval
- Captive M12 bolt
- Fits 48 - 51mm diameter tubes
- High tensile aluminium
- Available in polished aluminium or black powder paint





T58100



T58105



T58107



T58101



T58106

LW Big Ben Clamp

WLL	200kg
H1	151mm
H2	Ø28mm
kg	0.63kg



T58109 - Silver
T58119 - Black

LW Clamp

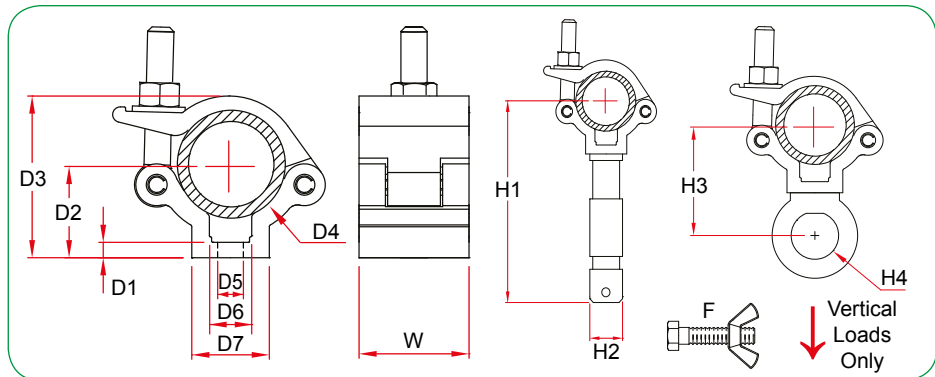
WLL	500kg
D1	7mm
D2	40mm
D3	70mm
D4	Ø48 - 51mm
D5	12.7mm
D6	19mm
D7	35mm
W	50mm
kg	0.34kg

LW Hook Clamp

WLL	500kg
D1	7mm
D2	40mm
D4	Ø48 - 51mm
D5	12.7mm
D6	19mm
D7	35mm
W	50mm
kg	0.34kg
F	M12 x 50

LW Hanging Clamp

WLL	340kg
H3	67mm
H4	Ø30mm
kg	0.44kg

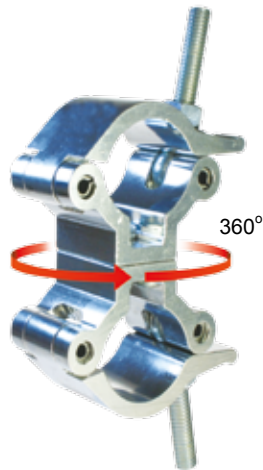




T58110 - Silver
T58111 - Black



T58115 - Silver
T58116 - Black



T58120 - Silver
T58121 - Black

LW 90° Fixed Coupler

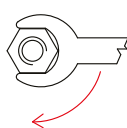
WLL	500kg
D1	80mm
D2	140mm
D3	Ø48 - 51mm
W	50mm
kg	0.76kg

LW Parallel Coupler

WLL	500kg
D1	80mm
D2	140mm
D3	Ø48 - 51mm
W	50mm
kg	0.76kg

LW Swivel Coupler

WLL	500kg
D1	80mm
D2	140mm
D3	Ø48 - 51mm
W	50mm
kg	0.76kg

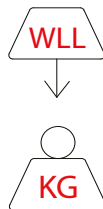
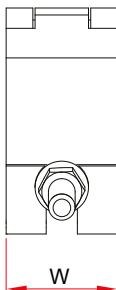
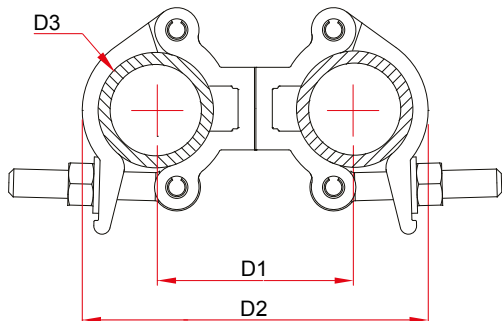


Maximum
Torque
30 N-m
22 lb-ft



Tube Diameters
48 - 51mm

**LW =
Lightweight**



Slimline Lightweight Clamps

Slimline Lightweight Doughty Clamps carry the same quality features of the standard lightweight range. The 30mm width allows these clamps to be used between truss webs etc.

Main features:

- WLL 300kg
- TÜV approval
- Captive M12 bolt
- Fits 48 - 51mm diameter tubes
- High tensile aluminium
- Available in polished aluminium or black powder coated





T58080



T58085



T58098 - Silver
T58099 - Black



T58081



T58086

S-line LW Swivel Coupler

WLL	300kg
W	30mm
kg	0.55kg



T58089 - Silver
T58090 - Black

Slimline LW Clamp

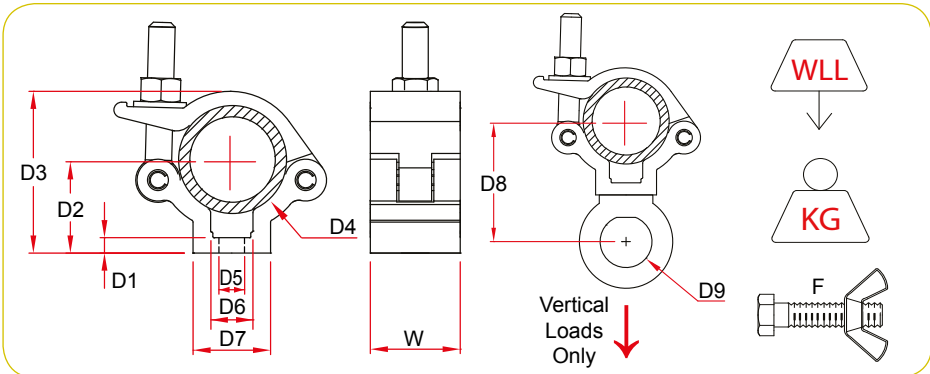
WLL	300kg
D1	7mm
D2	40mm
D3	70mm
D4	Ø48 - 51mm
D5	Ø12.7mm
D6	17 & 19mm
D7	35mm
W	30mm
kg	0.24kg

Slimline LW Hook Clamp

WLL	300kg
D1	7mm
D2	40mm
D4	Ø48 - 51mm
D5	Ø12.7mm
D6	17 & 19mm
D7	35mm
W	30mm
kg	0.32kg
F	M12 x 50

S-line LW Hanging Clamp

WLL	300kg
D8	67mm
D9	Ø30mm
W	30mm
kg	0.34kg



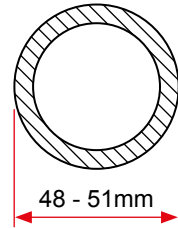
Super Lightweight Clamps

Super Lightweight Doughty Clamps are constructed from high tensile aluminium extrusions designed to fit bars with diameters between 48 - 51mm. They are slotted to hold captive an M10 nut or bolt head.

The clamps have a slimline profile of 30mm and a TÜV approval of 100kg WLL.

Main features:

- WLL 100kg
- TÜV approval
- Captive M10 bolt
- Fits 48 - 51mm diameter tubes
- High tensile aluminium
- Available in polished aluminium or black powder coated





T58122

SLW =
Super
Lightweight



Tube Diameters
48 - 51mm



T58124 - Silver
T5812401 - Black



T5812201



T58123 - Silver
T5812301 - Black

SLW Hanging Clamp

WLL	100kg
H3	60mm
H4	Ø25mm
kg	0.28kg



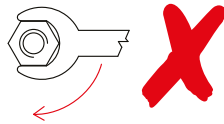
T58125 - Silver
T58126 - Black

SLW Clamp

WLL	100kg
D1	4.30mm
D2	36mm
D3	Ø10mm
D4	17mm
D5	30mm
D6	Ø48 - 51mm
W	30mm
kg	0.18kg
F	M10x30

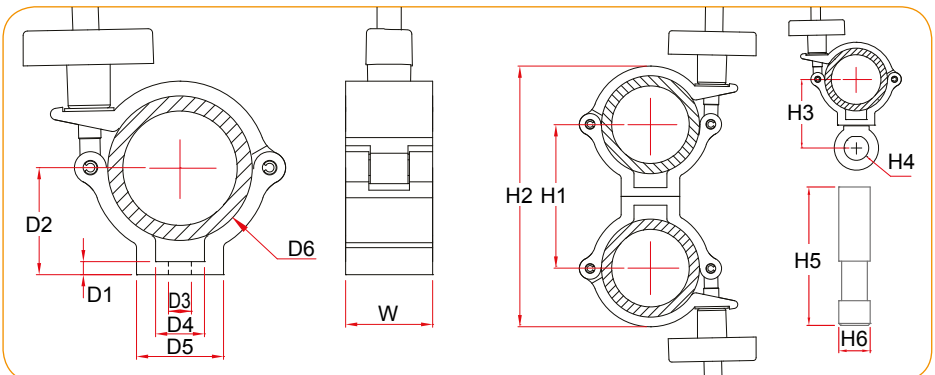
SLW Swivel Coupler

WLL	100kg
H1	72mm
H2	120mm
D6	Ø48 - 51mm
W	30mm
kg	0.40kg



SLW 'Beamer' Clamp

WLL	100kg
H5	70mm
H6	Ø16mm
W	30mm
kg	0.28kg

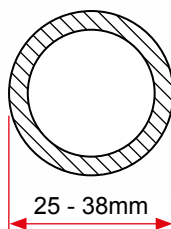


Atom Clamps

Atom Clamps are the smallest of the Doughty range of extruded aluminium couplers and are slotted to hold captive a nut or bolt head. These small clamps have a WLL of 100kg and are ideal for shop displays, film lighting etc. Atom clamps will fit tubes with exterior diameters of 25 - 38mm and are suitable for use not only for lightweight trusses, but also the centre tube on most varieties of stands.

Main features:

- WLL 100kg
- TÜV approval (32mm only)
- Captive bolt
- Fits 25, 32, 35 & 38mm diameter tubes
- High tensile aluminium
- Available in polished aluminium or black powder coated





T58870 - 25mm Silver
 T58800 - 32mm Silver
 T58900 - 35mm Silver
 T58970 - 38mm Silver
 T5887001 - 25mm Black
 T58801 - 32mm Black
 T5890001 - 35mm Black
 T5897001 - 38mm Black



T58887 - 25mm Silver
 T58830 - 32mm Silver
 T58927 - 35mm Silver
 T58997 - 38mm Silver
 T5888701 - 25mm Black
 T5883001 - 32mm Black
 T5892701 - 35mm Black
 T5899701 - 38mm Black



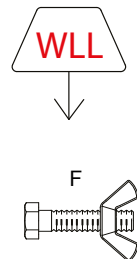
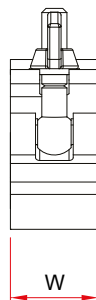
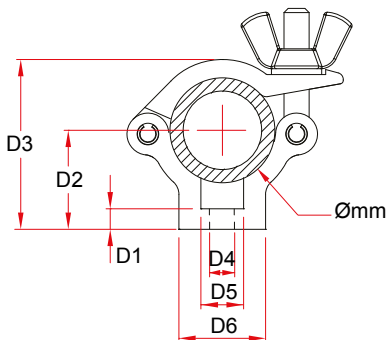
T58890 - 25mm Silver
 T58840 - 32mm Silver
 T58920 - 35mm Silver
 T58990 - 38mm Silver
 T5889001 - 25mm Black
 T5884001 - 32mm Black
 T5892001 - 35mm Black
 T5899001 - 38mm Black

Atom Clamp

Atom Hook Clamp

Atom Hanging Clamp

	Ø25mm	Ø32mm	Ø35mm	Ø38mm
WLL	100kg	100kg	100kg	100kg
D1	5mm	5mm	5mm	5mm
D2	21mm	28mm	32mm	36mm
D3	41mm	48mm	55mm	55mm
D4	Ø6mm	Ø6mm	Ø10mm	Ø10mm
D5	10mm	10mm	14 & 17mm	17mm
D6	20mm	30mm	30mm	30mm
W	21mm	30mm	30mm	30mm
kg	0.04kg	0.08kg	0.09kg	0.09kg
F	M6 x 30	M6 x 30	M8 & M10	M10 x 30





T58885 - 25mm Silver
 T58820 - 32mm Silver
 T58915 - 35mm Silver
 T58985 - 38mm Silver
 T5888501 - 25mm Black
 T5882001 - 32mm Black
 T5891501 - 35mm Black
 T5898501 - 38mm Black



T58880 - 25mm Silver
 T58815 - 32mm Silver
 T58910 - 35mm Silver
 T58980 - 38mm Silver
 T5888001 - 25mm Black
 T5881501 - 32mm Black
 T5891001 - 35mm Black
 T5898001 - 38mm Black



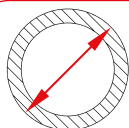
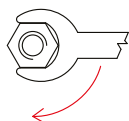
T58875 - 25mm Silver
 T58810 - 32mm Silver
 T58905 - 35mm Silver
 T58975 - 38mm Silver
 T5887501 - 25mm Black
 T5881001 - 32mm Black
 T5890501 - 35mm Black
 T5897501 - 38mm Black

Atom 90° Fixed Coupler

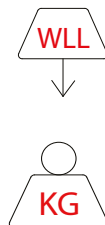
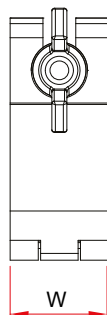
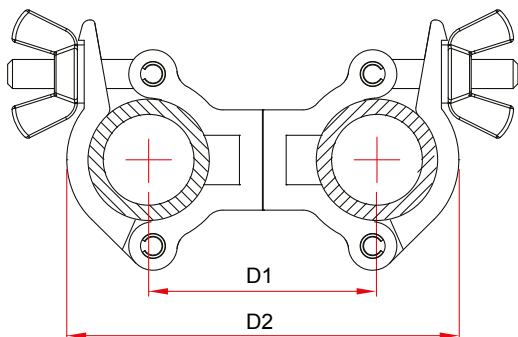
Atom Parallel Coupler

Atom Swivel Coupler

	Ø25mm	Ø32mm	Ø35mm	Ø38mm
WLL	100kg	100kg	100kg	100kg
D1	42mm	56mm	64mm	72mm
D2	82mm	96mm	110mm	110mm
W	21mm	30mm	30mm	30mm



Tube Diameters
 25mm, 32mm, 35mm & 38mm

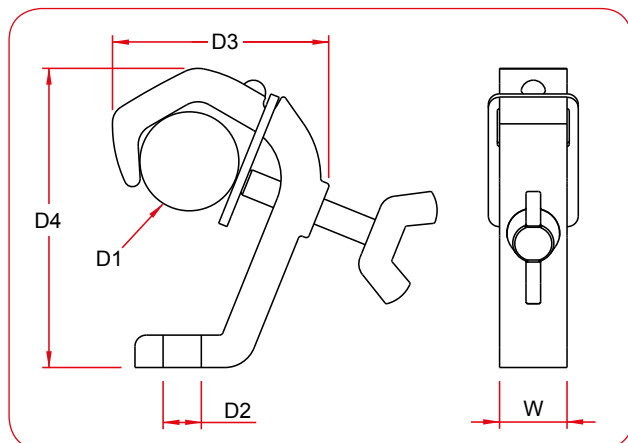


Atom G Clamp

The Atom G Clamp is designed specifically for small architectural luminaires.

Main features:

- WLL 20kg
- Fits 25, 32, 35 & 38mm diameter tubes
- High tensile aluminium
- Available in polished aluminium or black powder coated



Atom 'G' Clamp	
T58450	Silver
T58451	Black
WLL	20Kg
D1	Ø25mm
D2	Ø8.5mm
D3	48mm
D4	67mm
W	15mm
kg	0.05kg

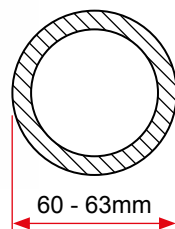
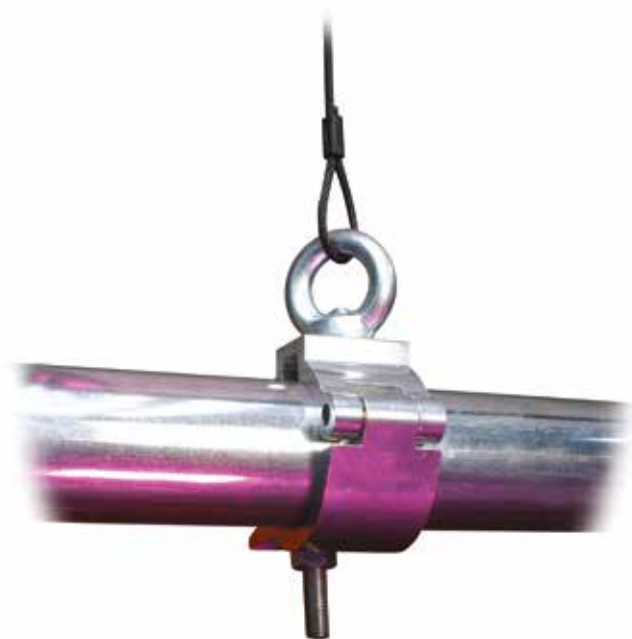
Mammoth Clamps

The Mammoth Clamp range has been designed to fit tubes with a diameter of 60 - 63mm. The Mammoth half coupler is TÜV tested and certified for a WLL of 500kg.

As with most other Doughty couplers, the high tensile aluminium base is slotted to hold captive a nut or bolt head.

Main features:

- WLL 500kg
- TÜV approval
- Captive M10 & M12 bolt
- Fits 60 - 63mm diameter tubes
- High tensile aluminium
- Available in polished aluminium or black powder paint





T57400



T57410



T57450



T57401



T57411



T57451

Mammoth Clamp

WLL	500kg
D1	7mm
D2	47mm
D3	87mm
D4	Ø12.7mm
D5	17 & 19mm
D6	35mm
D7	Ø60 - 63mm
W	50mm
kg	0.41kg

Mammoth Hook Clamp

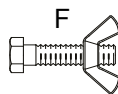
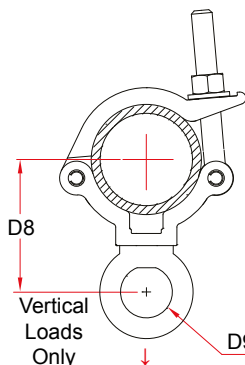
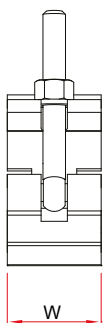
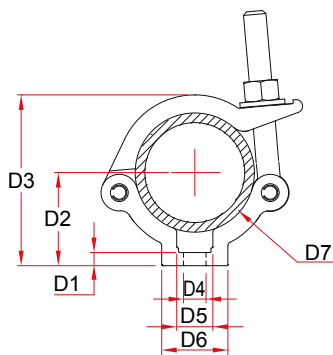
WLL	500kg
D1	7mm
D2	47mm
D3	87mm
D4	Ø12.7mm
D5	17 & 19mm
D7	Ø60 - 63mm
W	50mm
kg	0.49kg
F	M12 x 50

Mammoth Hanging Clamp

WLL	340kg
D8	74mm
D9	Ø30mm
W	50mm
kg	0.51kg
F	M12 Eye Nut



Tube Diameters
60 - 63mm





T57430 - Silver
T57431 - Black



T57420 - Silver
T57421 - Black



T57440 - Silver
T57441 - Black

Mammoth 90° Fixed

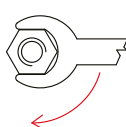
WLL	500kg
D1	94mm
D2	174mm
D3	Ø60 - 63mm
W	50mm
kg	0.90kg

Mammoth Swivel Coupler

WLL	500kg
D1	94mm
D2	174mm
D3	Ø60 - 63mm
W	50mm
kg	0.90kg

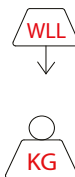
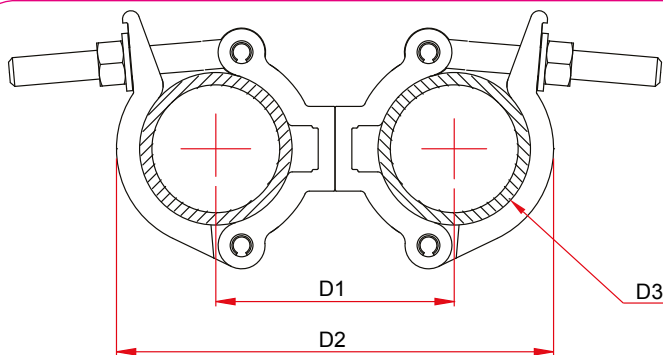
Mammoth Parallel Coupler

WLL	500kg
D1	94mm
D2	174mm
D3	Ø60 - 63mm
W	50mm
kg	0.90kg



Maximum
Torque
30 N-m
22 lb-ft

Mammoth





Slimline Mammoth Clamp

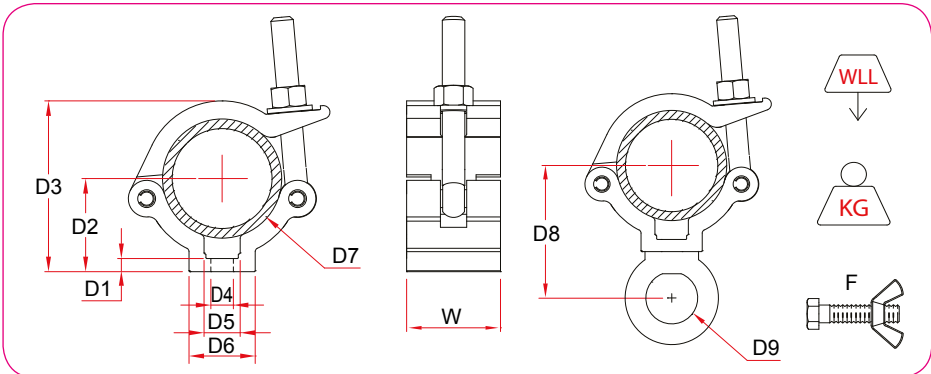
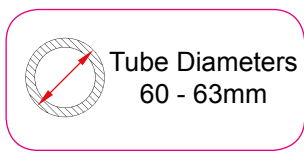
WLL	300kg
D1	7mm
D2	47mm
D3	87mm
D4	Ø12.7mm
D5	17 & 19mm
D6	35mm
D7	Ø60 - 63mm
W	30mm
kg	0.41kg

Slimline Hook Clamp

WLL	300kg
D1	7mm
D2	47mm
D3	87mm
D4	Ø12.7mm
D5	17 & 19mm
D7	Ø60 - 63mm
W	30mm
kg	0.49kg
F	M12 x 50

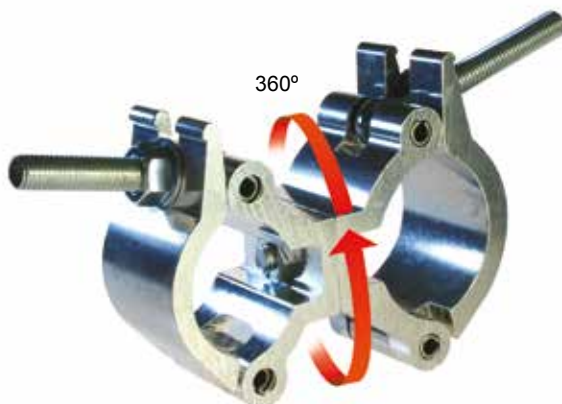
Slimline Hanging Clamp

WLL	300kg
D8	74mm
D9	Ø30mm
W	30mm
kg	0.51kg
F	M12 Eye Nut





T57422 - Silver
T57423 - Black



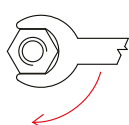
T57435 - Fixed 90° - Silver
T57436 - Fixed 90° - Black
T57425 - Swivel - Silver
T57426 - Swivel - Black

Slimline Swivel Coupler

WLL	300kg
D1	94mm
D2	174mm
D3	Ø60 - 63mm
W	50mm
kg	0.90kg

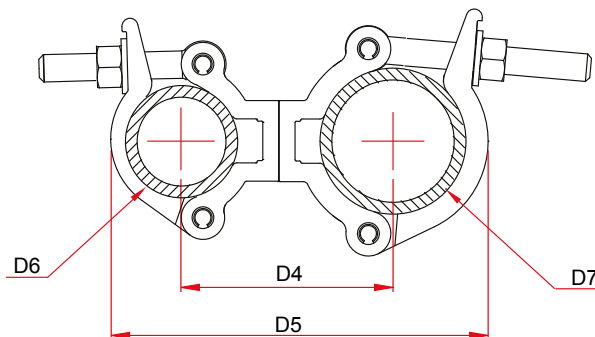
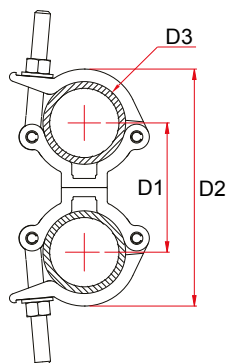
Mammoth 60 to 50mm

WLL	500kg	D4	87mm
W	50mm	D5	157mm
kg	0.90kg	D6	Ø48 - 51mm
		D7	Ø60 - 63mm



Maximum
Torque
30 N-m
22 lb-ft

Mammoth



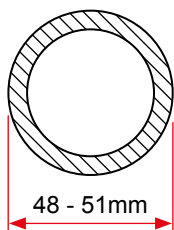
Trigger® Clamps

The Doughty Trigger Clamp is constructed from high tensile aluminium extrusion making it not only lightweight, but extremely strong, with a safe working load and TÜV approval of 200kg.

Designed to allow one person to hang heavy luminaires and scanners, the weight of the object being hung becomes its own safety factor by automatically closing the trigger and the bottom half of the clamp. This unique feature allows the luminaires to be easily positioned and securely 'locked off' using the large tee 'easygrip' handle.

Main features:

- WLL 200kg
- TÜV approval
- Captive M12 bolt
- Fits 48 - 51mm diameter tubes
- High tensile aluminium
- Available in polished aluminium or black powder coated





T58860



T58861



T58862



T588601



T5886101



T5886201



T58869 - Silver
T5886901 - Black

Trigger Clamp

WLL	200kg
D1	11mm
D2	86mm
D3	121mm
D4	Ø12.7mm
D5	19mm
D6	97mm
D7	Ø48 - 51mm
W	30mm
kg	0.50kg

Hook Clamp

WLL	200kg
D1	11mm
D2	86mm
D3	121mm
D4	Ø12.7mm
D5	19mm
D7	Ø48-51mm
W	30mm
kg	0.58kg
F	M12 x 45

Hanging Clamp

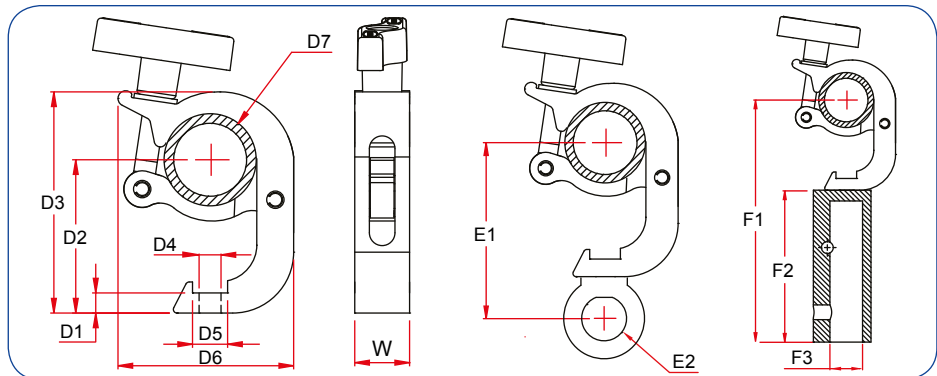
WLL	200kg
E1	113mm
E2	Ø30mm
W	30mm
kg	0.71kg
F	M12 Eye Nut

TV Clamp

WLL	200kg
F1	221mm
F2	135mm
F3	Ø29mm
W	30mm
kg	1.09kg



Tube Diameters
48 - 51mm

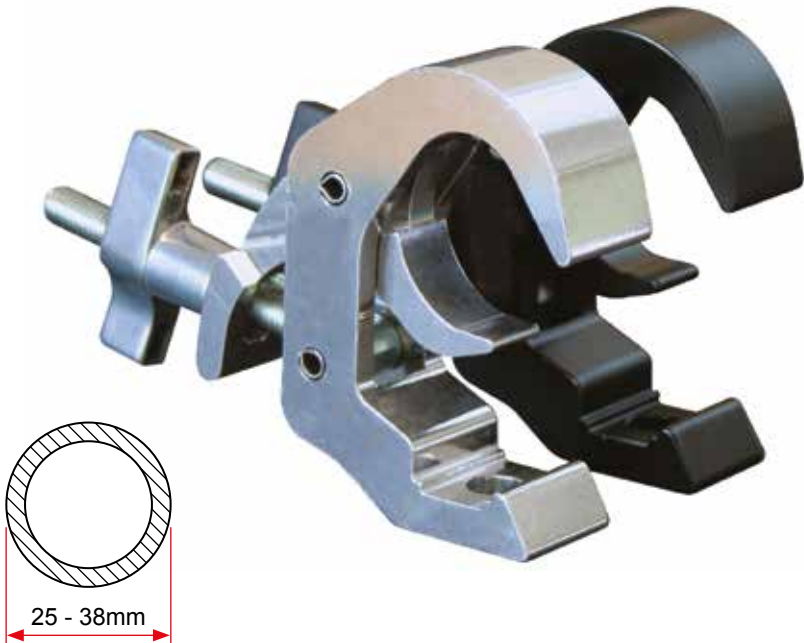


Baby Quick Trigger® Clamps

The Baby Quick Trigger Clamp is the latest addition to our range of Quick Trigger Clamps. Manufactured from high tensile aluminium this clamp is ideally suited to decorative truss etc.

Main features:

- WLL 40kg
- Captive M8 or M10 bolt
- Fits 25 - 38mm diameter tubes
- High tensile aluminium
- Available in polished aluminium or black powder coated





T58150



T58151



T58155 - Silver
T58156 - Black



T58160 - Silver
T58161 - Black

Baby Quick Trigger
Standard Clamp

WLL	40kg
D1	7.7mm
D2	49.0mm
D3	84.3mm
D4	Ø10.5mm
D5	13.3 - 17.3mm
D6	62.2mm
D7	Ø25-38mm
kg	0.20kg

Baby Quick Trigger
'Beamer' Clamp

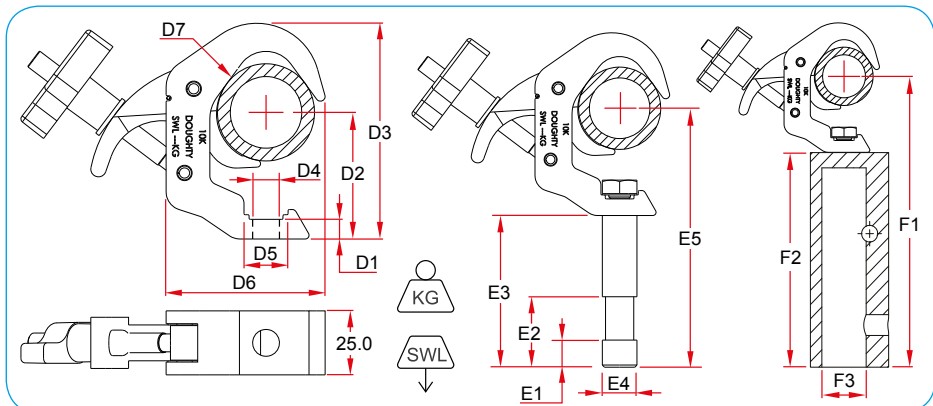
WLL	40kg
E1	12.5mm
E2	32.5mm
E3	70mm
E4	Ø16mm
E5	119.0mm
kg	0.25kg

Baby Quick Trigger
TV Clamp

WLL	40kg
F1	117mm
F2	135mm
F3	Ø29mm
kg	0.71kg



Tube Diameters
25 - 38mm



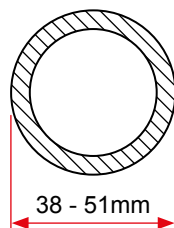
Quick Trigger® Clamps

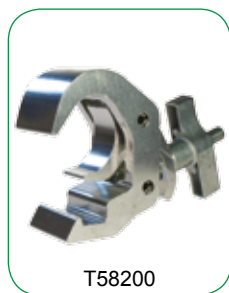
The design of the Doughty Quick Trigger Clamp gives a high degree of safety by allowing one person to hang heavy luminaires and fixtures. The spring loaded jaws stay open and automatically close with the weight of the object being hung, leaving both hands free to lift and position the load.

The base of the clamp is slotted to hold either an M10 or M12 bolt head or nut captive without turning.

Main features:

- WLL 250kg
- TÜV approval
- Captive M10 or M12 bolt
- Fits 38 - 51mm diameter tubes
- High tensile aluminium
- Available in polished aluminium or black powder coated





T58200



T58205



T58215



T58240 - Silver
T58241 - Black



T58201



T58206



T58216

Quick Trigger
Standard Clamp

WLL	250kg
D1	11mm
D2	66mm
D3	110mm
D4	Ø12.7mm
D5	17 & 19mm
D6	85mm
D7	Ø38 - 51mm
Width	50mm
kg	0.76kg

Quick Trigger
Hook Clamp

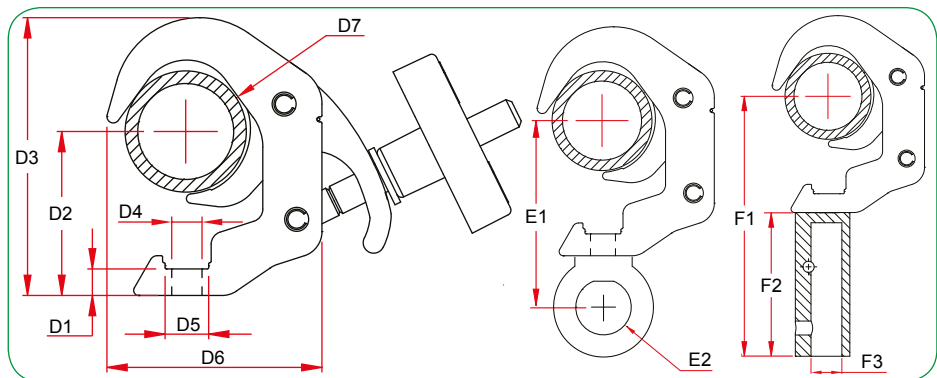
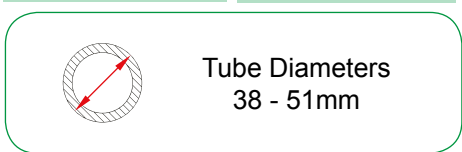
WLL	250kg
D1	11mm
D2	66mm
D3	110mm
D4	Ø12.7mm
D5	17 & 19mm
D7	Ø38 - 51mm
Width	50mm
kg	0.84kg
Fastener	M12 x 45

Quick Trigger
Hanging Clamp

WLL	250kg
E1	117mm
E2	Ø30mm
Width	50mm
kg	0.97kg
F	M12 Eye Nut

Quick Trigger
TV Clamp

WLL	200kg
F1	201mm
F2	135mm
F3	Ø29mm
kg	1.16kg

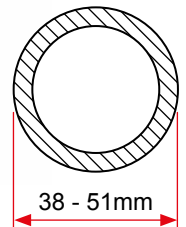


Slimline Quick Trigger® Clamps

With all the great features of the Standard Quick Trigger Clamps, the Slimline Quick Trigger range is 30mm wide, allowing these clamps to be used between truss webs. A key feature of this clamp is the ability to fit tube diameters between 38 & 51mm.

Main features:

- WLL 100kg
- TÜV approval
- Captive M10 or M12 bolt
- Fits 38 - 51mm diameter tubes
- High tensile aluminium
- Available in polished aluminium or black powder coated





T58300



T58305



T58315



T58340 - Silver
T58341 - Black



T58301



T58306



T58316

S-line Quick Trigger

Standard Clamp

WLL	100kg
D1	11mm
D2	66mm
D3	110mm
D4	Ø12.7mm
D5	17 & 19mm
D6	85mm
D7	Ø38 - 51mm
Width	30mm
kg	0.49kg

S-line Quick Trigger

Hook Clamp

WLL	100kg
D1	11mm
D2	66mm
D3	110mm
D4	Ø12.7mm
D5	17 & 19mm
D7	Ø38 - 51mm
Width	30mm
kg	0.57kg
Fastener	M12 x 45

S-line Quick Trigger

Hanging Clamp

WLL	100kg
E1	117mm
E2	Ø30mm
Width	30mm
kg	0.70kg
F	M12 Eye Nut

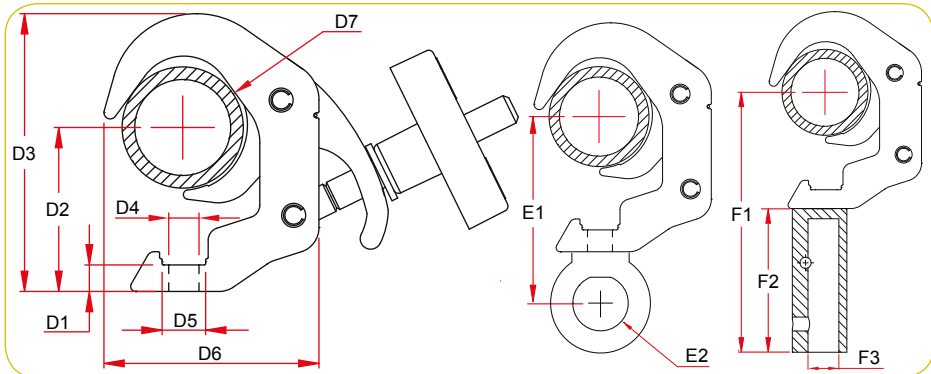
S-line Quick Trigger

TV Clamp

WLL	100kg
F1	201mm
F2	135mm
F3	Ø29mm
kg	0.62kg



Tube Diameters
38 - 51mm

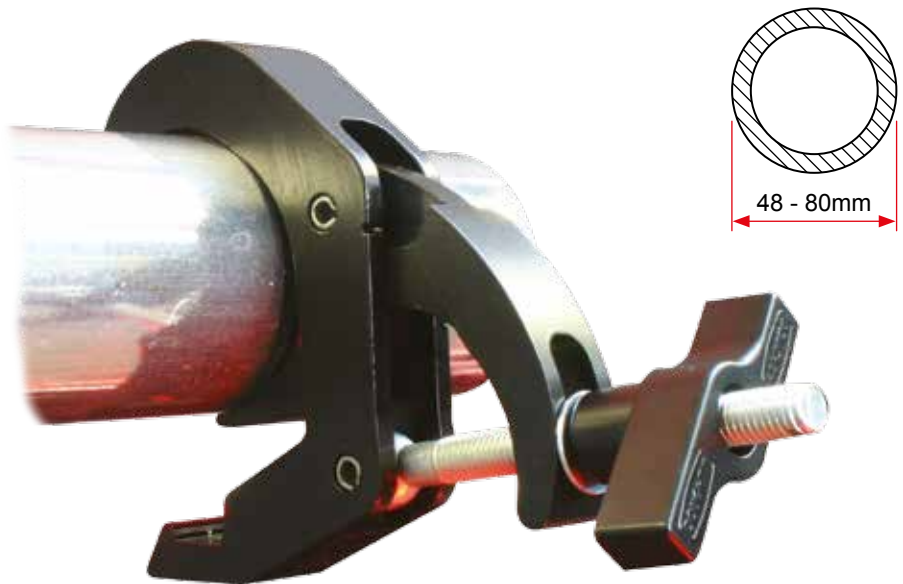


Titan Quick Trigger® Clamps

The Titan Quick Trigger range of clamps has been designed to fit tubes with larger diameters between 48 & 80mm. This is the largest high tensile aluminium clamp in our range.

Main features:

- WLL 100kg
- TÜV approval
- Captive M10 or M12 bolt
- Fits 48 - 80mm diameter tubes
- High tensile aluminium
- Available in polished aluminium or black powder coated





T58500



T58505



T58515

T58540 - Silver
T58541 - Black

T58501



T58506

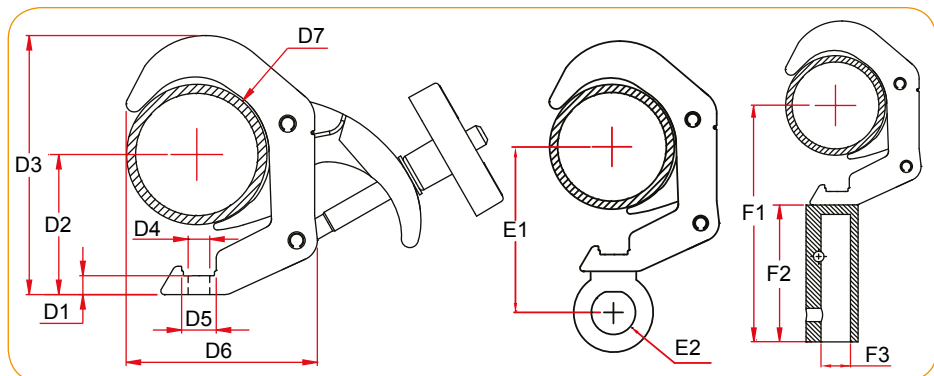


T58516

Titan Quick Trigger®		Titan Quick Trigger®		Titan Quick Trigger®		Titan Quick Trigger®	
Standard Clamp		Hook Clamp		Hanging Clamp		TV Clamp	
WLL	100kg	WLL	100kg	WLL	100kg	WLL	100kg
D1	11mm	D1	11mm	E1	105mm	F1	213mm
D2	78mm	D2	78mm	E2	Ø30mm	F2	135mm
D3	144mm	D3	144mm	Width	30mm	F3	Ø29mm
D4	Ø12.7mm	D4	Ø12.7mm	kg	0.88kg	kg	1.24kg
D5	17 & 19mm	D5	17 & 19mm	F	M12 Eye Nut		
D6	106mm	D7	Ø48-80mm				
D7	Ø48 - 80mm	Width	30mm				
Width	30mm	kg	0.77kg				
kg	0.69kg	Fastener	M12 x 50				



Tube Diameters
48 - 80mm



Space Savers

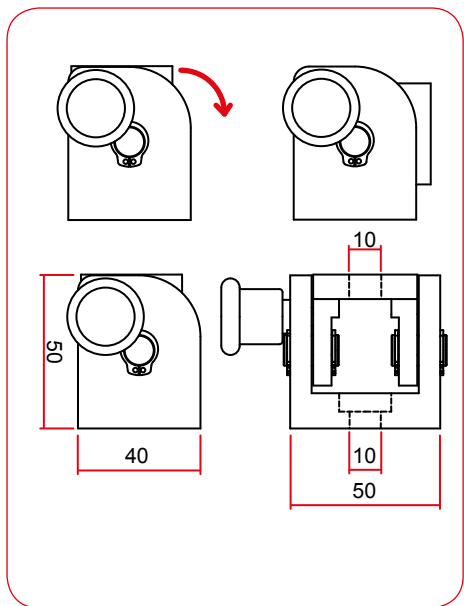
The Space Saver enables a clamp or Spigot to be permanently fitted to a luminaire or projector etc and folded into a storage position to save space and time.

The clamps etc are not lost because they stay on the luminaire.

The Space Omega is available in different sizes to fit most major manufacturers equipment.

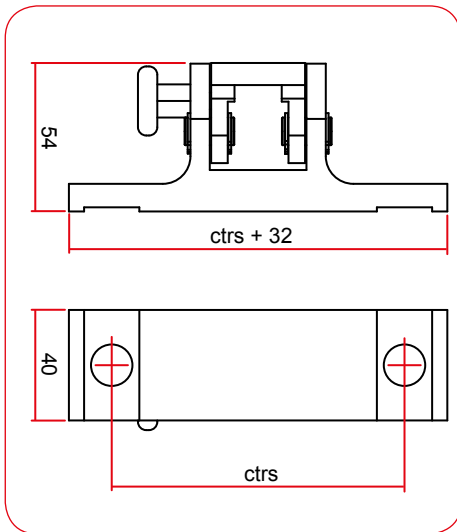
Manufactured from high tensile aluminium.





Space Saver

T85850 WLL 100Kg



Space Saver Omega

Available with 1/4 turn fixings to suit most major manufacturers
 contact sales@doughty-engineering.co.uk

Speciality Couplers



T58780 - Silver
T58782 - Black



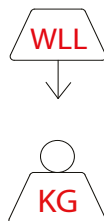
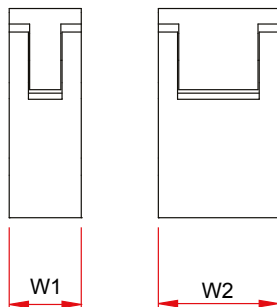
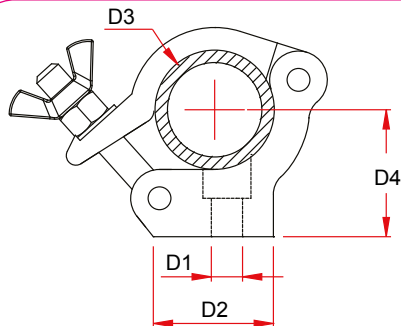
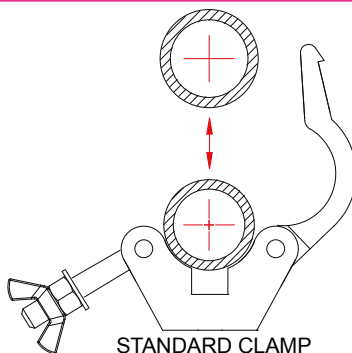
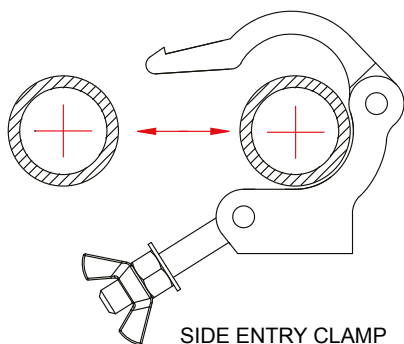
T58781 - Silver
T58783 - Black

Side Entry Doughty Clamp

WLL	750kg
D1	Ø12.7mm
D2	50mm
D3	Ø48 - 51mm
D4	53mm
W2	50mm
kg	0.56kg

Slimline Side Entry Doughty Clamp

WLL	750kg
D1	Ø12.7mm
D2	50mm
D3	Ø48 - 51mm
D4	53mm
W1	30mm
kg	0.36kg





G1115 - Silver
G111501 - Black



Barrel Socket Clamp

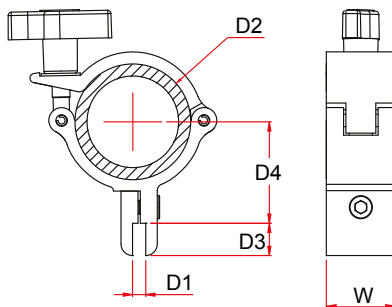
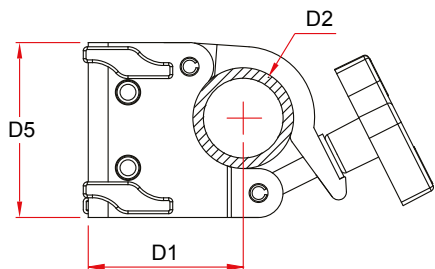
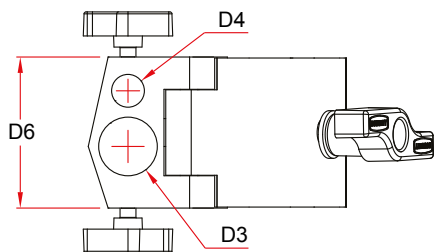
WLL	250kg
D1	78mm
D2	Ø48 - 51mm
D3	Ø29mm
D4	Ø16.5mm
D5	88mm
D6	76mm
kg	0.93kg



T58130 - Silver
T5813001 - Black

Super Lightweight Panel Clamp

WLL	N/A
D1	5 - 10mm
D2	Ø48 - 51mm
D3	14mm
D4	44mm
W	30mm
kg	0.16kg





T58790 - 47mm
 T58791 - 44mm
 T58792 - 41.5mm
 T58793 - 39.5mm



T58795



T58756 - Ø48 mm x 47mm
 T58757 - Ø48 mm x 44mm
 T58758 - Ø48 mm x 41.5mm
 T58759 - Ø48 mm x 39.5mm
 T58760 - Ø51 mm x 47mm
 T58761 - Ø51 mm x 44mm
 T58762 - Ø51 mm x 41.5mm
 T58763 - Ø51 mm x 39.5mm

Locking Elbows

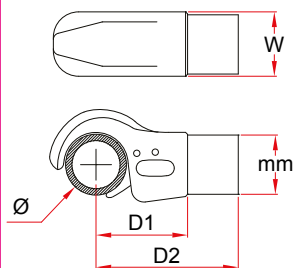
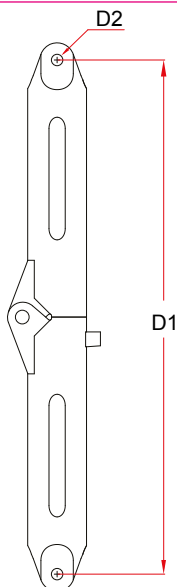
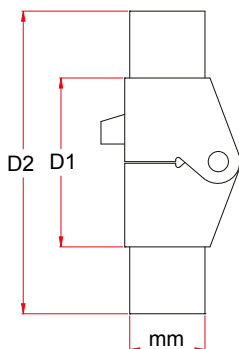
D1	100mm
D2	180mm
kg	0.72kg

Long Locking Elbow Assy

D1	450mm
D2	Ø12mm
kg	1.60kg

Claw Clamps

D1	72mm
D2	112mm
W	50mm
kg	0.39kg





T58735 - Swivelling 47mm
 T58736 - Swivelling 44mm
 T58738 - Swivelling 41.4mm
 T58739 - Swivelling 39.5mm

T58740 - Fixed 47mm
 T58741 - Fixed 44mm
 T58743 - Fixed 41.4mm
 T58744 - Fixed 39.5mm



T57249



T57250



T58750 - 47mm
 T58751 - 44mm
 T58753 - 41.4mm
 T58754 - 39.5mm

Finial Coupler

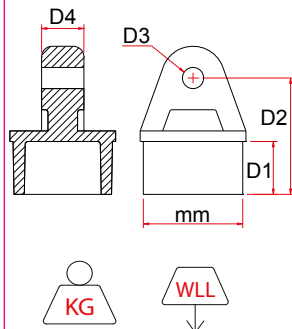
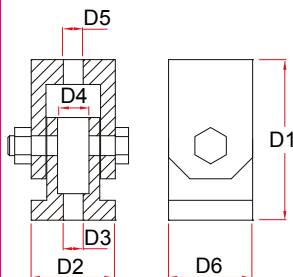
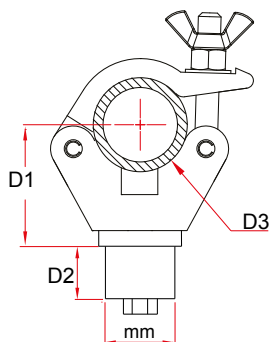
D1	61mm
D2	25mm
D3	Ø48 - 51mm
W	50mm
kg	0.86kg

Pivot Hinge Assembly

D1	97mm
D2	50mm
D3	Ø12mm
D4	Ø19mm
D5	Ø12mm
D6	50mm
kg	Hinge only: 0.79kg
kg	Hinge with clamps: 1.96kg

Round Shank Pivot Plug

D1	25mm
D2	55mm
D3	Ø10mm
D4	20mm
kg	0.16kg





T58745 - 47mm
 T58746 - 44mm
 T58748 - 41.4mm
 T58749 - 39.5mm



T58730 - 47mm
 T58731 - 44mm
 T58733 - 41.4mm
 T58734 - 39.5mm



T58720 - Clamp Only
 T58725 - 47mm
 T58726 - 44mm
 T58728 - 41.4mm
 T58729 - 39.5mm

Round Shank Foot Casting

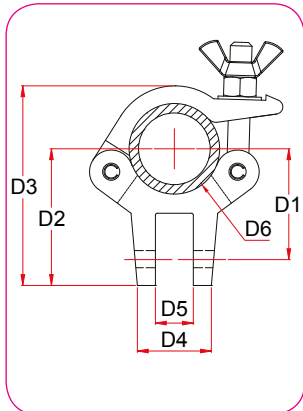
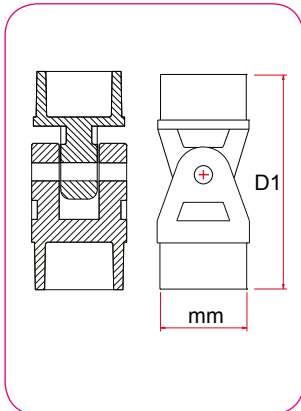
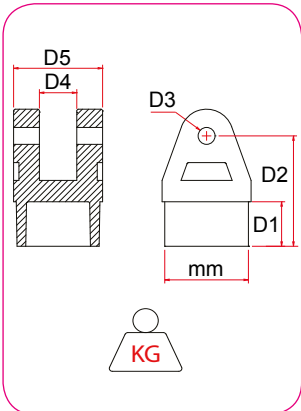
D1	25mm
D2	62mm
D3	Ø10mm
D4	21mm
D5	50mm
kg	0.16kg

Round Shank Knuckle Joint

D1	117mm
kg	0.35kg

Stabiliser Coupler

D1	61mm
D2	75mm
D3	110mm
D4	41mm
D5	21mm
D6	Ø48 - 51mm
W	50mm
kg	Clamp only: 0.55kg
kg	Clamp with plug: 0.67kg

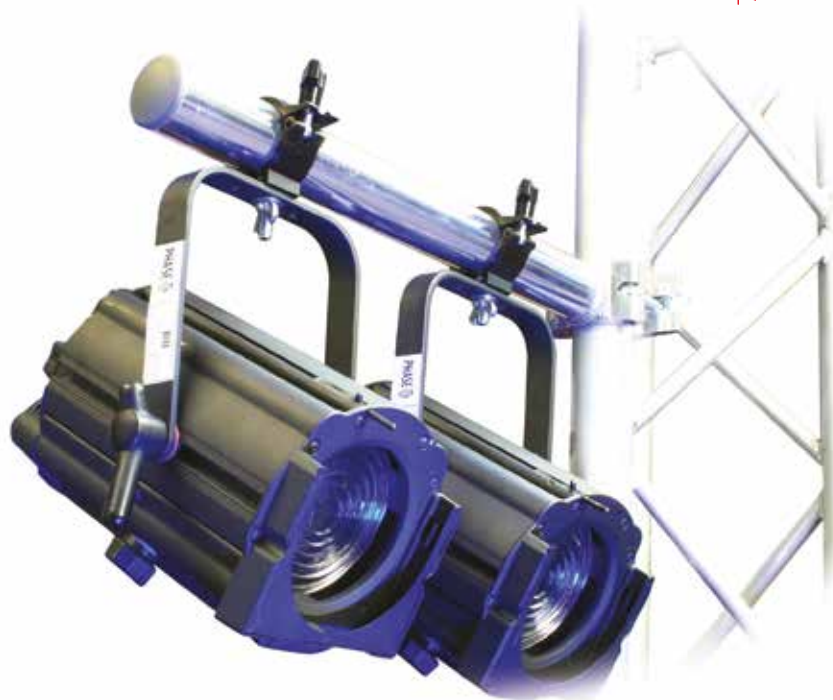
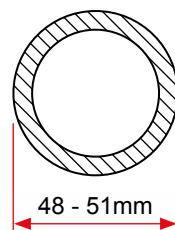


Pipe to Pipe Couplers & Boom Arms

Doughty Engineering manufactures a large range of aluminium Boom Arms and Pipe to Pipe Couplers. Designed to fit 48 - 51mm tubes, these products are ideally suited to work with aluminium trusses and standard scaffold type bars.

Main features:

- Fits 48 - 51mm diameter tubes
- High tensile aluminium
- Special lengths available on request

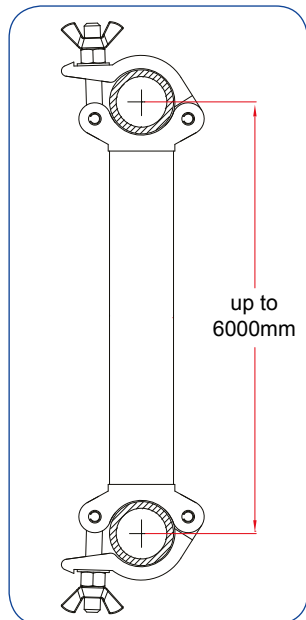




T57340 - 250mm ctrs
 T57345 - 500mm ctrs
 T57350 - 750mm ctrs
 T57355 - 1000mm ctrs



T57360 - 250mm ctrs
 T57365 - 500mm ctrs
 T57370 - 750mm ctrs
 T57375 - 1000mm ctrs



Parallel Pipe to Pipe Coupler

WLL	200kg
D1	Ø48 - 51mm
D2	48mm
W	50mm
kg	See below

90° Pipe to Pipe Coupler

WLL	200kg
D1	Ø48 - 51mm
D2	48mm
W	50mm
kg	See below

Special Lengths

Contact your nearest dealer

WLL
↓
KG

T57340 - 1.25kg
 T57345 - 1.70kg
 T57350 - 2.06kg
 T57355 - 2.50kg

T57360 - 1.25kg
 T57365 - 1.70kg
 T57370 - 2.06kg
 T57375 - 2.50kg

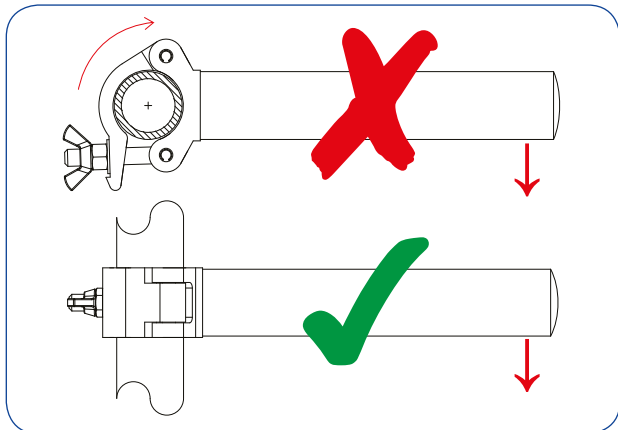


T57310 - Silver - 250mm
 T57315 - Silver - 500mm
 T57317 - Silver - 750mm
 T57320 - Silver - 1000mm



T57311 - Black - 250mm
 T57316 - Black - 500mm
 T57318 - Black - 750mm
 T57321 - Black - 1000mm

Boom Arms		
WLL	250mm	100kg
WLL	500mm	50kg
WLL	750mm	37kg
WLL	1000mm	25kg
D1	48 - 51mm	(2")
D2	48mm	(2")
W	50mm	(2")



Maximum Torque
 30 N-m
 22 lb-ft

mm

D1

D2

W

T57310 - 0.84kg
 T57315 - 1.24kg
 T57317 - 1.65kg
 T57320 - 2.50kg
 T57311 - 0.84kg
 T57316 - 1.24kg
 T57318 - 1.65kg
 T57321 - 2.50kg

WLL

KG

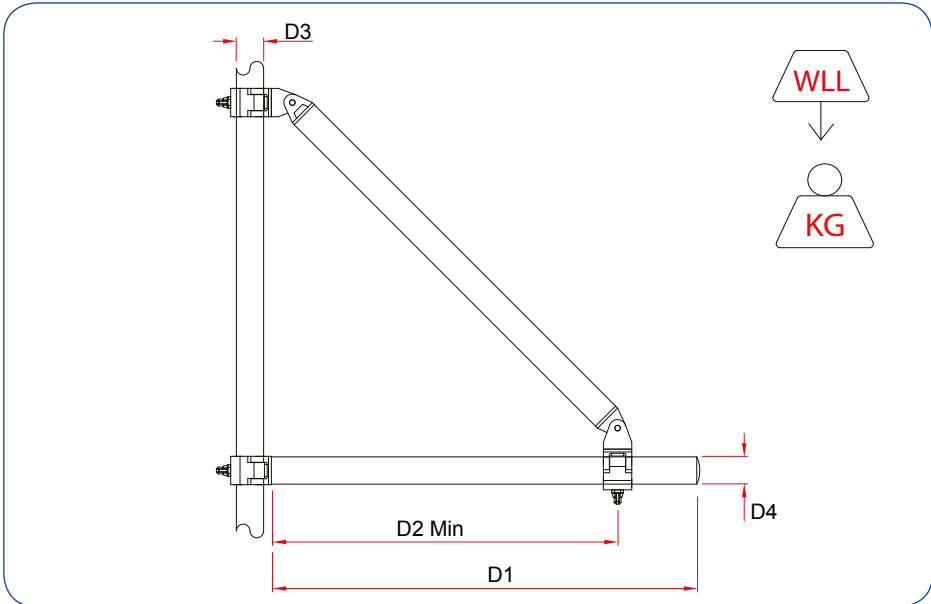
Braced Boom Arm	
WLL	100kg
D1	1000mm
D2	750mm
D3	Ø48 - 51mm
D4	Ø48mm
kg	5.0kg

WLL 100kg

The Braced Boom Arm is ideal for flying heavy luminaires such as moving heads from vertical bars or trusses. The diagonal brace eliminates movement or flexing in the boom arm.

Manufactured with two articulating joints, most mounting situations can be accommodated.

Special sizes can be made to suit most applications.

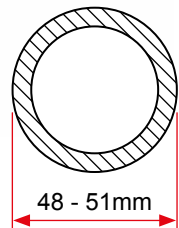


Truss Adaptors

Truss Adaptors enable triangular and square truss sections to be mounted to any of the Doughty winch stand range. This system provides the means to lift truss sections into place safely. The range of Hanging Truss Adaptors have been designed to suspend truss sections with a chain hoist.

Main features:

- Provides a safe and secure means of lifting truss
- Adjustable to suit most truss sizes
- High tensile 6082-T6 aluminium couplers
- High quality silver powder coated

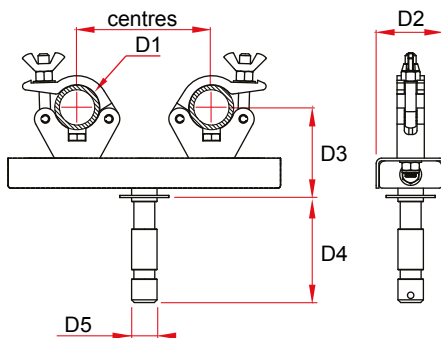
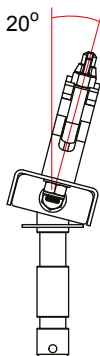


Swivel Truss Plate

WLL	200kg
D1	Ø48 - 51mm
D2	76mm
D3	100mm
D4	115mm
D5	Ø28mm

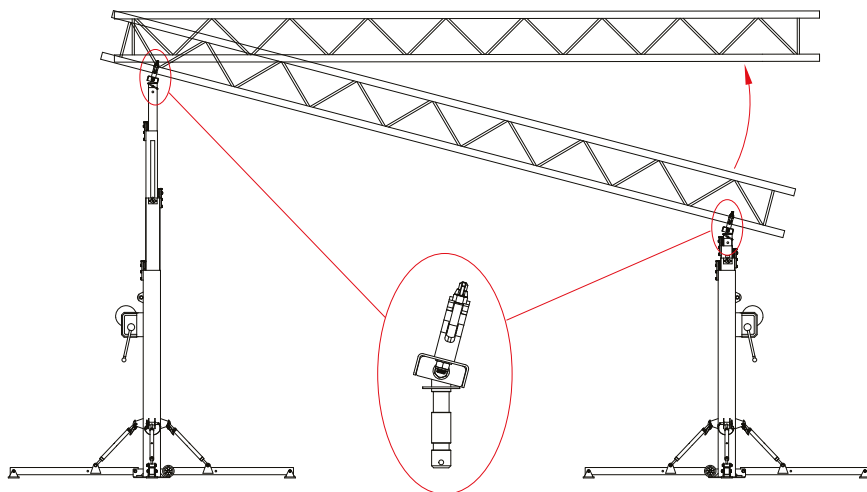


T55704 - 150 - 250mm ctrs
T55705 - 200 - 400mm ctrs



Suitable for all triangular and square truss sections.

The Swivel Truss Plate allows one person to rig a truss between two winch stands. Each stand can be raised individually until the required height is achieved.



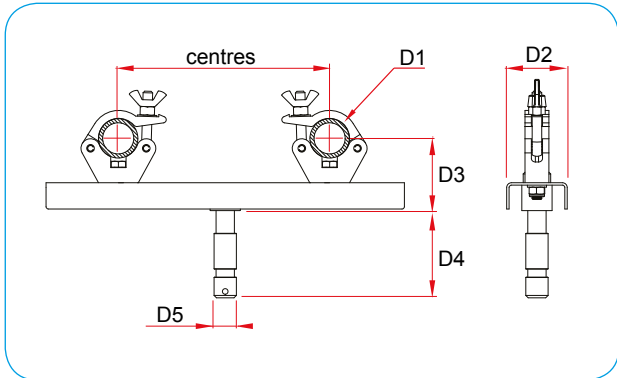


Fixed Truss Adaptor

WLL	200kg
D1	Ø48 - 51mm
D2	76mm
D3	91mm
D4	109mm
D5	Ø28mm

Suitable for all triangular and square truss sections.

The Fixed Truss Adaptor provides a firm fixing for more elaborate truss constructions. They are supplied with two slimline couplers.



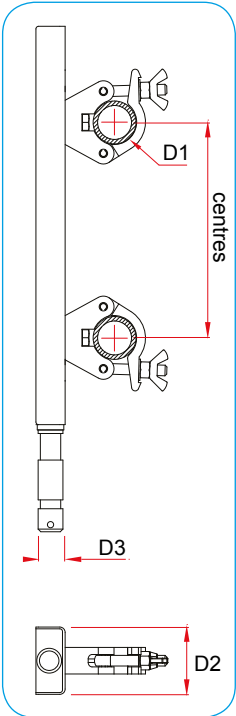
Ladder Truss Adaptor

WLL	200kg
D1	Ø48 - 51mm
D2	76mm
D3	Ø28mm

Suitable for all ladder truss sections.

The Ladder Truss Adaptor ensures the truss is in the optimum position for maximum loading.

Supplied with two slimline couplers.

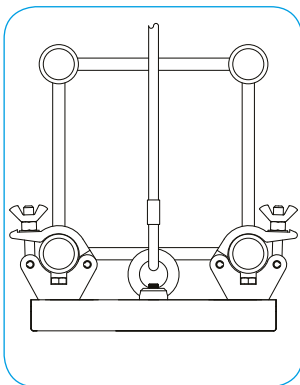
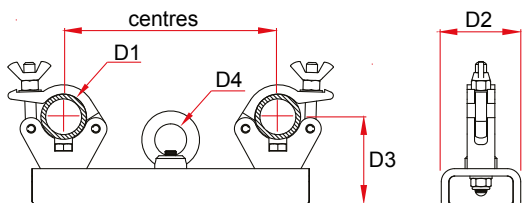




T57214 - 150 - 250mm ctrs
T57219 - 200 - 400mm ctrs

Hanging Truss Adaptor

WLL	200kg
D1	Ø48 - 51mm
D2	76mm
D3	91mm
D4	Ø30mm



HD Hanging Truss Adaptor

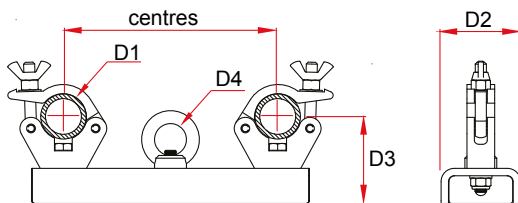
WLL	500kg
D1	Ø48 - 51mm
D2	76mm
D3	91mm
D4	Ø30mm

The Heavy Duty Hanging Truss Adaptor has been designed specifically to suspend triangular and square sections with loads up to 500kg.

The suspension point is an M12 eye nut rated to 500kg.



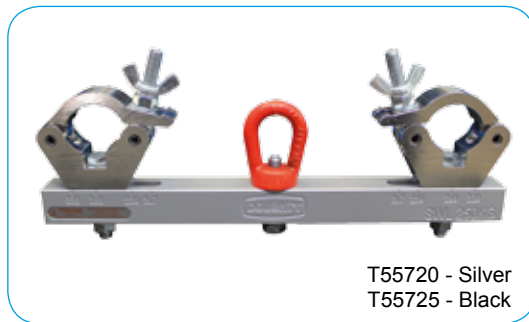
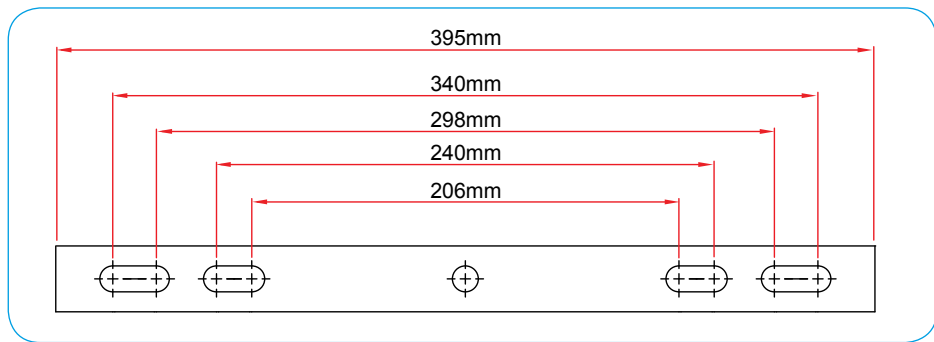
T55710 - 150 - 250mm ctrs
T55715 - 200 - 400mm ctrs



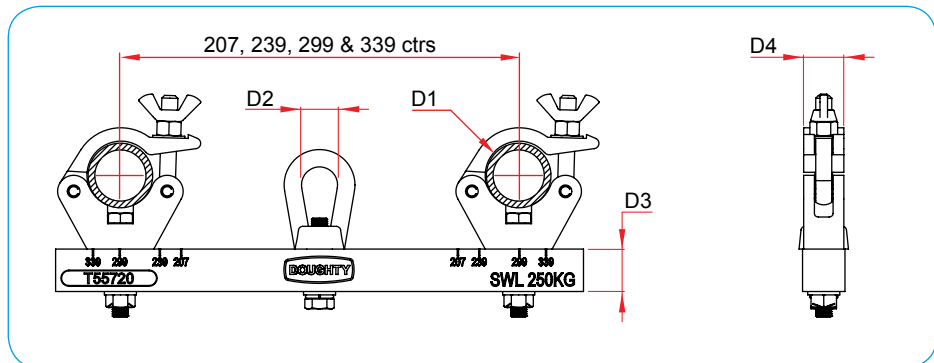
Solid Truss Adaptors

Main features:

- Provides a safe and secure means of lifting truss
- Slotted to allow minor adjustments
- High tensile solid 6082-T6 aluminium
- High quality powder coated



Solid Hanging Truss Adaptor	
250kg	
WLL	250kg
D1	Ø48 - 51mm
D2	26mm
D3	31.75mm
D4	31.75mm
kg	2.30kg



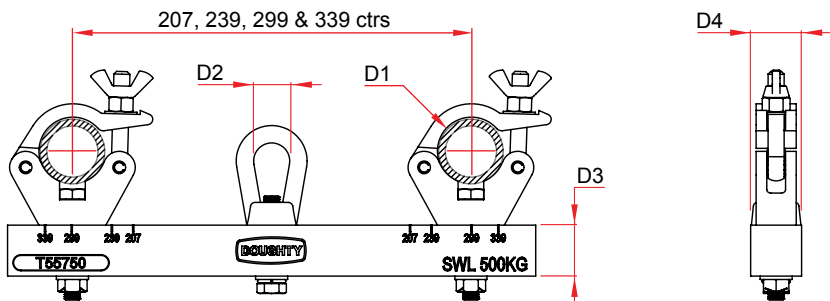


T55750 - Silver
T55755 - Black

Solid Hanging Truss Adaptor

500kg

WLL	500kg
D1	Ø48 - 51mm
D2	26mm
D3	38.1mm
D4	38.1mm
kg	2.80kg

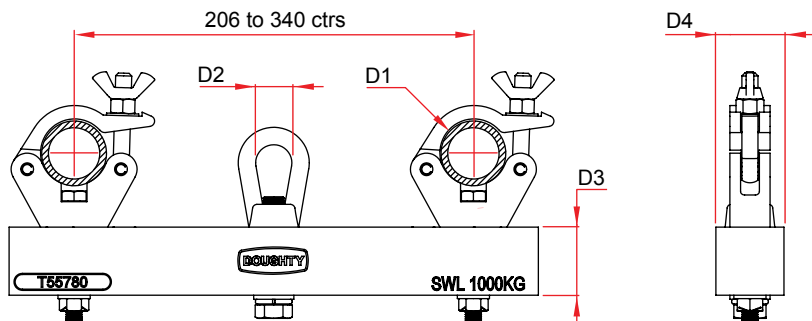


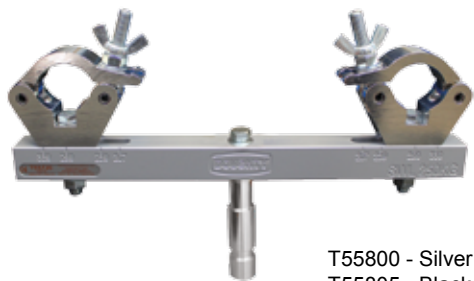
T55780 - Silver
T55785 - Black

Solid Hanging Truss Adaptor

1000kg

WLL	1000kg
D1	Ø48 - 51mm
D2	26mm
D3	50.8mm
D4	50.8mm
kg	4.00kg



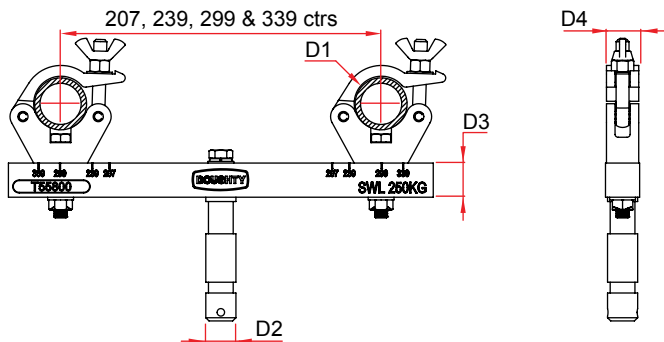


T55800 - Silver
T55805 - Black

Solid Fixed Truss Adaptor

250kg

WLL	250kg
D1	Ø48 - 51mm
D2	28mm
D3	31.75mm
D4	31.75mm
kg	2.20kg

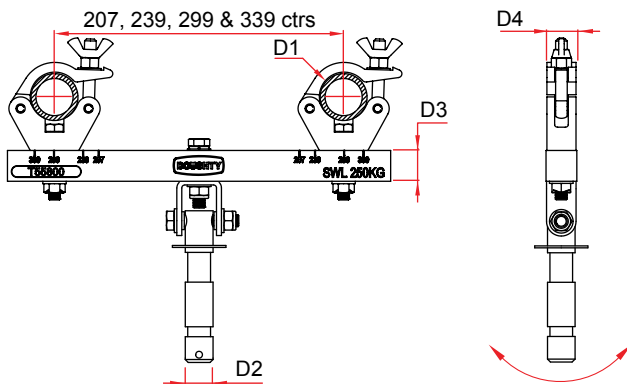


T55810 - Silver
T55815 - Black

Solid Swivel Truss Adaptor

250kg

WLL	250 kg
D1	Ø48 - 51mm
D2	28mm
D3	31.75mm
D4	31.75mm
kg	3.00kg



Modular Rigging System

The modular rigging system uses 48mm diameter aluminium barrel in conjunction with a truss style conical coupling.

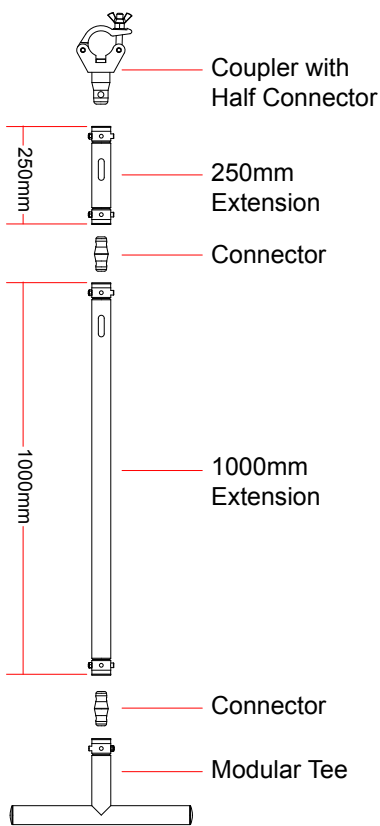
The system is designed as two parts - Modular Drop Arms which are single arms designed to be suspended with a coupler and 'H' Frames, which can be suspended or floor-standing with tank traps.



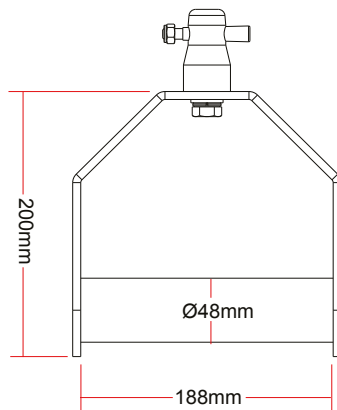


Supplied with Tapered Pins

Modular Rigging Extensions			WLL
T45775	250mm	Silver	100kg
T45776	250mm	Black	100kg
T45780	500mm	Silver	100kg
T45781	500mm	Black	100kg
T45785	1000mm	Silver	100kg
T45786	1000mm	Black	100kg
T45790	2000mm	Silver	100kg
T45791	2000mm	Black	100kg



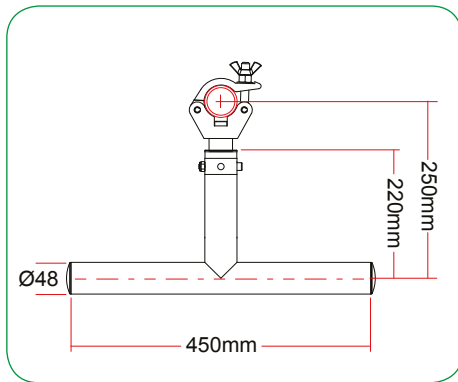
Supplied with Tapered Pin



Modular Stirrup			WLL
T45770	Modular Stirrup	Silver	100kg
T45771	Modular Stirrup	Black	100kg



Supplied with Tapered Pin

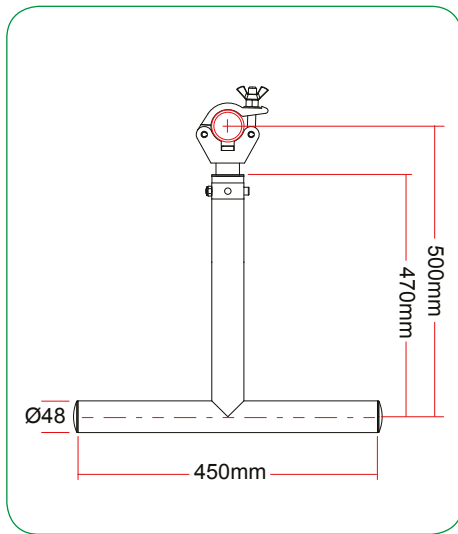


Small Modular Tee WLL

T45760	Small Modular Tee	Silver	100kg
T45761	Small Modular Tee	Black	100kg

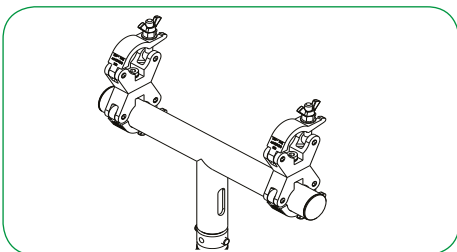


Supplied with Tapered Pin



Large Modular Tee WLL

T45765	Large Modular Tee	Silver	100kg
T45766	Large Modular Tee	Black	100kg

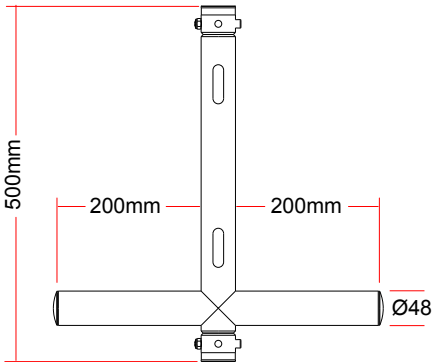


All Modular Rigging products are supplied with a slot for a secondary safety where applicable.

Modular Tee's can be used at the top of an assembly to create a more rigid suspension point.



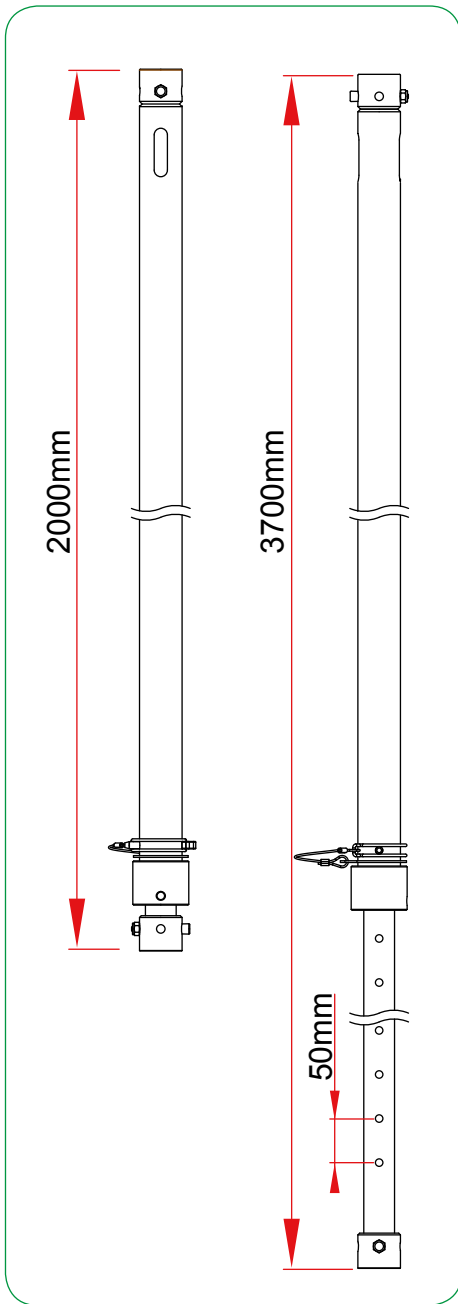
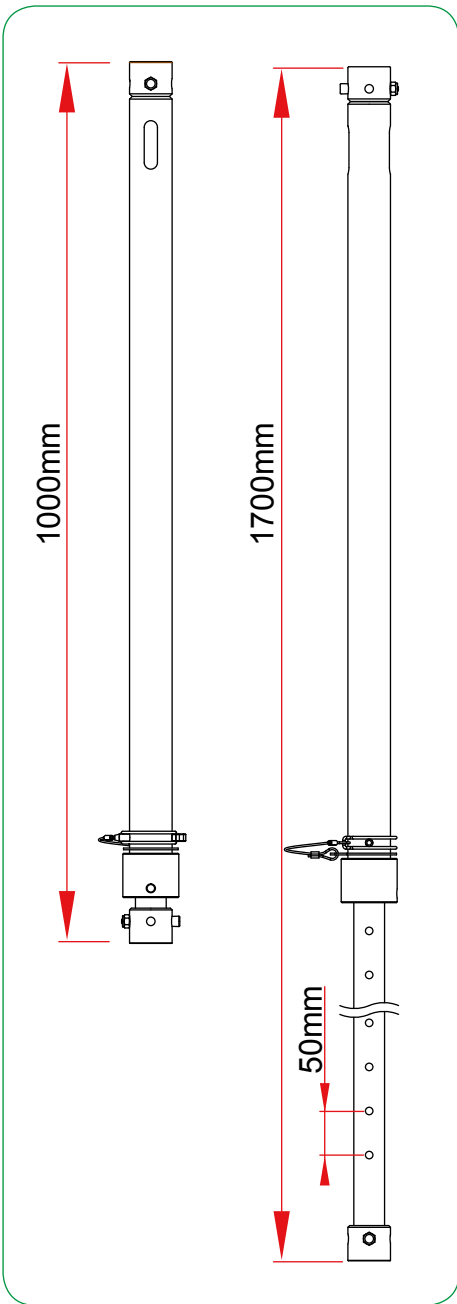
Supplied with Tapered Pins



Modular Tee with Thru Connector

WLL

T45767	Modular Tee with Thru Connector	Silver	100kg
T45768	Modular Tee with Thru Connector	Black	100kg



Adjustable Extension 1.0 - 1.7m

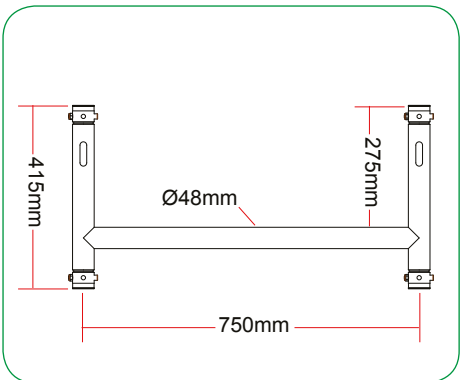
T45795	Silver	100kg
T45796	Black	100kg

Adjustable Extension 2.0 - 3.7m

T45797	Silver	100kg
T45798	Black	100kg



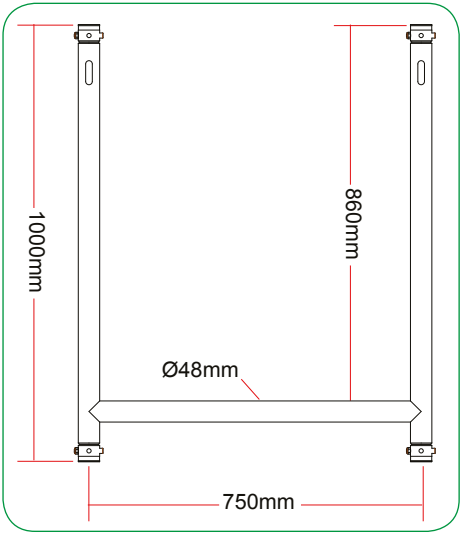
Supplied with Tapered Pins



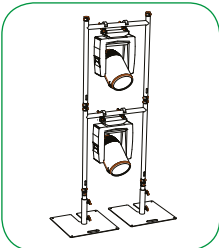
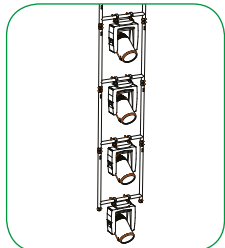
Small 'H' Frame			WLL
T45900	Small 'H' Frame	Silver	200kg
T45901	Small 'H' Frame	Black	200kg

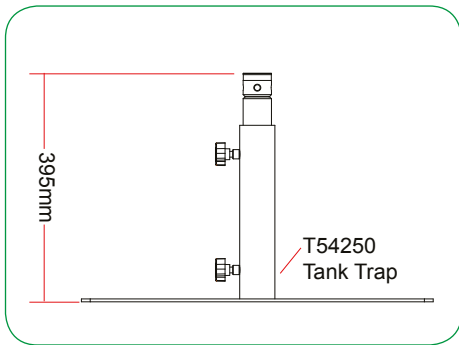


Supplied with Tapered Pins



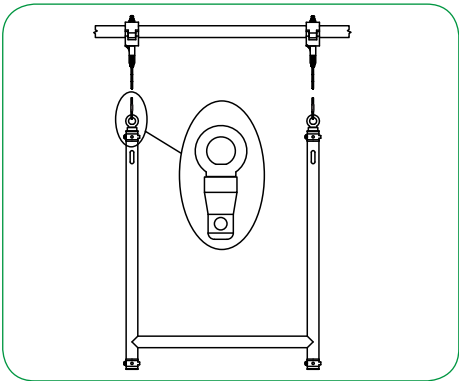
Large 'H' Frame			WLL
T45910	Large 'H' Frame	Silver	200kg
T45911	Large 'H' Frame	Black	200kg





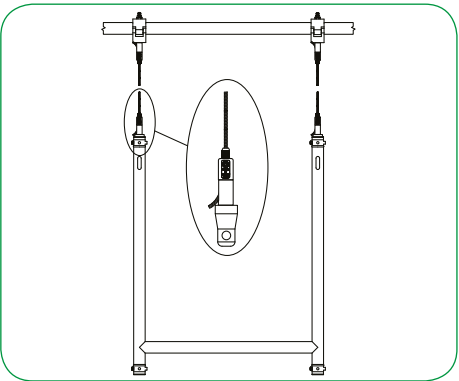
Tank Trap Adaptor

T45757	Tank Trap Adaptor	Silver
T45758	Tank Trap Adaptor	Black



Half Connector with Eye - WLL 100kg

T45745	Half Connector with Eye	Silver
--------	-------------------------	--------



Half Connector with Cable Holder - WLL 80/130kg

T45747	Half Connector fitted with T37653 Cable Holder to suit 4 & 5mm Wire	Silver
--------	---	--------



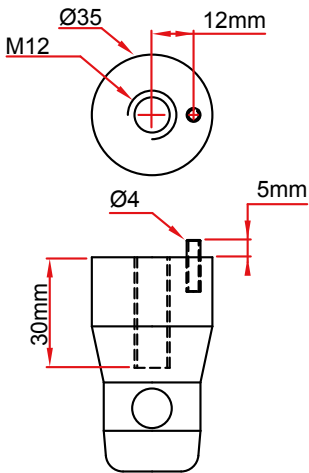
Spigot & Half Connector

T45752 fitted with a 28mm Spigot



3 Point Receiver & Half Connector

T45751 accepts 28mm Spigots



M12 Half Connector

T45750 M12 Aluminium Half Connector with Roll Pin





Safety Bond with Quick Link

T45850	650mm - WLL 200kg	Silver
T45851	650mm - WLL 200kg	Black

Safety Bond with Moving Light Hook

T45855	650mm - WLL 36kg	Silver
T45856	650mm - WLL 36kg	Black

These bonds are the optimum length to pass through the safety slot and around a barrel or truss chord when suspended with a clamp/ coupler.

These bonds have been designed to work with most moving lights. Their length has been calculated to leave minimum slack wire rope.



Connector

T45755

Tapered Pin and Nut

T45756



Doughty Clamp & Half Connector

T45800	Silver	fits Ø 48-51mm
T45801	Black	WLL 100kg



Low Profile Clamp & Half Connector

T45810	Silver	fits Ø 48-51mm
T45811	Black	WLL 100kg



Lightweight Clamp & Half Connector

T45815	Silver	fits Ø 48-51mm
T45816	Black	WLL 100kg



Mammoth Clamp & Half Connector

T45820	Silver	fits Ø 60-63mm
T45821	Black	WLL 100kg



Trigger Clamp & Half Connector

T45825	Silver	fits Ø 48-51mm
T45826	Black	WLL 100kg



Quick Trigger & Half Connector

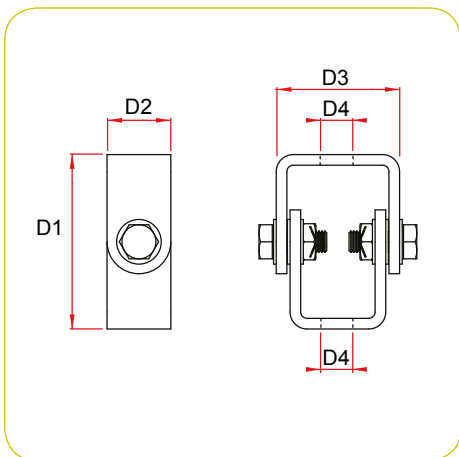
T45830	Silver	fits Ø 38-51mm
T45831	Black	WLL 100kg

Suspension Clamps

The Doughty range of Suspension Clamps is a range of steel bracketry manufactured predominantly from flat steel bar. This range can be used to suspend truss and tubes as well as flying luminaires from the steel boom arms.

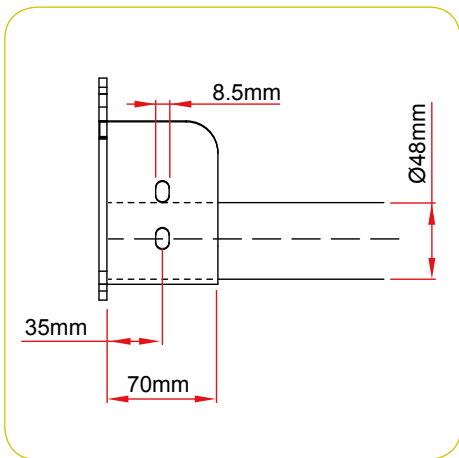
Manufactured and tested in our UK factory, quality is assured.





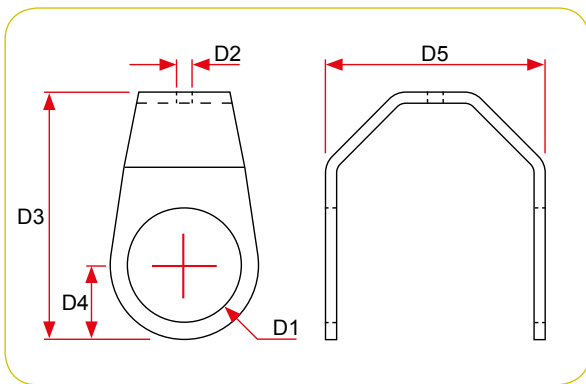
Universal Joint

	WLL	D1	D2	D3	D4	kg
T30410	100kg	82mm	30mm	58mm	Ø12.5mm	0.38kg



Wall Hanger

T30408	Silver	WLL 100kg
T30409	Black	WLL 100kg



Grid Hanger

	WLL	D1	D2	D3	D4	D5	kg
T30405	200kg	Ø50mm	Ø13mm	107.5mm	32.5mm	96mm	0.35kg
T30406 - Black	200kg	Ø50mm	Ø13mm	107.5mm	32.5mm	96mm	0.35kg

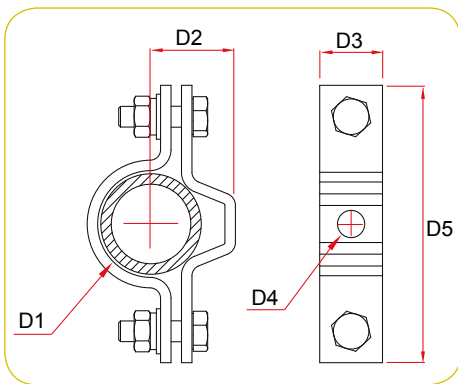


Corner Grid Hanger

T30407 - Black

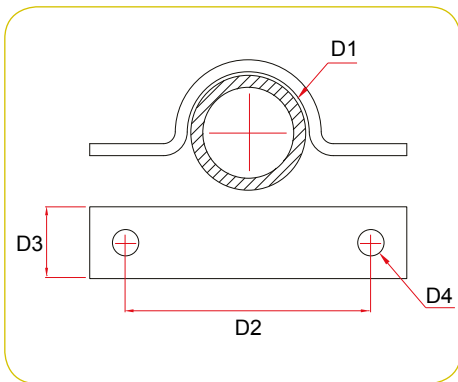
WLL 200kg

Can be used with T12500 Pipeclamp Elbow and Ø48mm barrel/scaffold tube.



Universal Clamps

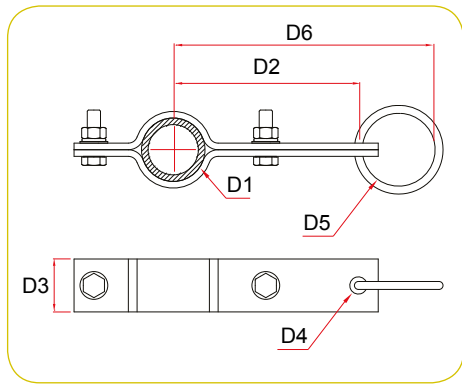
	WLL	D1	D2	D3	D4	D5	kg
T30400	200kg	Ø48mm	40mm	30mm	Ø13mm	135mm	0.43kg
T30404 - Black	200kg	Ø48mm	40mm	30mm	Ø13mm	135mm	0.43kg
T30401	150kg	Ø38mm	30mm	25mm	Ø9mm	115mm	0.30kg
T30402	100kg	Ø25mm	22mm	20mm	Ø7mm	83mm	0.30kg



Saddle Clamps

	WLL	D1	D2	D3	D4	kg
T30800	200kg	Ø48mm	102mm	30mm	11mm	0.21kg
T30801 - Black	200kg	Ø48mm	102mm	30mm	11mm	0.21kg
T30804	150kg	Ø38mm	84mm	25mm	8.5mm	0.13kg
T30806	150kg	Ø25mm	70mm	20mm	7mm	0.05kg



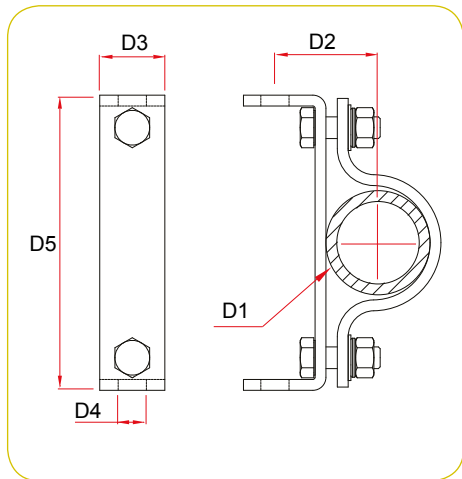


Hanging Clamps (to suit Shackles)

	WLL	D1	D2	D3	D4	kg
T32100	100kg	Ø48mm	140mm	40mm	13mm	0.84kg
T32102	100kg	Ø38mm	85mm	25mm	9mm	0.33kg
T32103	100kg	Ø25mm	65mm	20mm	9mm	0.14kg

Hanging Clamp (with ring)

	WLL	D1	D3	D5	D6	kg
T32000	100kg	48mm	40mm	50mm	200mm	0.86kg
T32001 - Black	100kg	48mm	40mm	50mm	200mm	0.86kg
T32002	100kg	38mm	25mm	40mm	130mm	0.34kg



Stud Hanger

	WLL	D1	D2	D3	D4	D5	kg
T30300	100kg	Ø48mm	48mm	30mm	13mm	160mm	0.50kg

Steel Boom Arms



Boom Arm

T30500 - Silver

T30501 - Black



T30600 - Boom Arm Straight

T30600 - Silver

T30601 - Black



Boom Arm (with safety point)

T31500 - Silver

T31501 - Black



Boom Arm Straight (with safety point)

T31600 - Silver

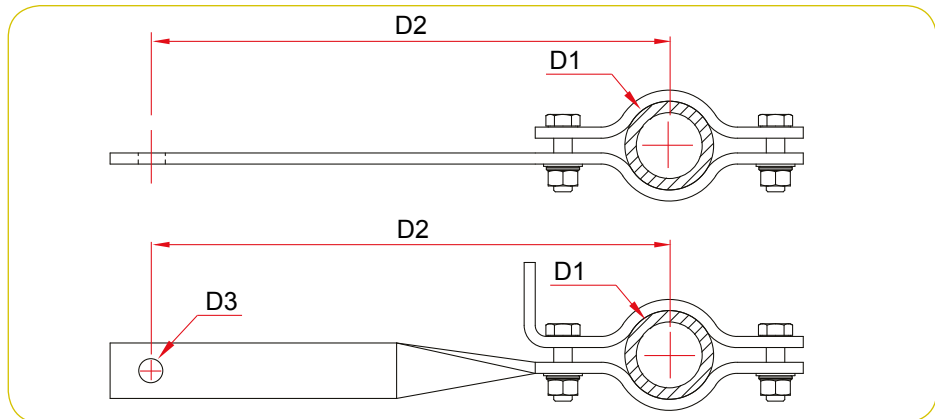
T31601 - Black



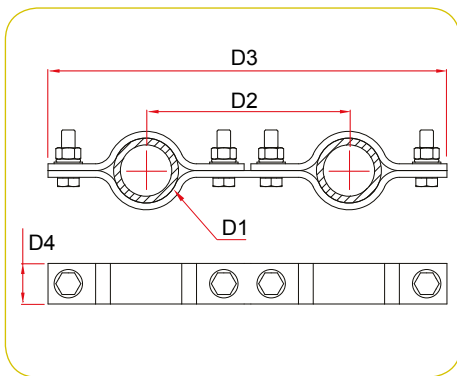
Double Boom Arm Standard

T31700 - Silver

T31701 - Black

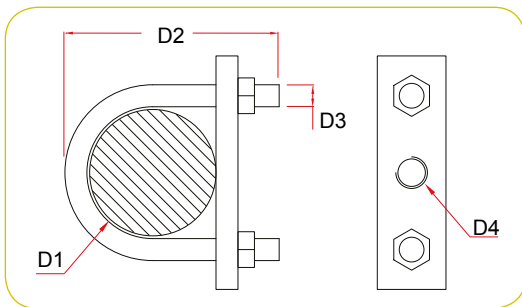


	WLL	D1	D2	D3	kg
T30500/1	12kg	Ø48mm	280mm	13mm	0.83kg
T30600/1	12kg	Ø48mm	280mm	13mm	0.88kg
T31500/1	12kg	Ø48mm	280mm	13mm	0.83kg
T31600/1	12kg	Ø48mm	280mm	13mm	0.88kg
T31700/1	12kg	Ø48mm	280mm x 2	13mm	1.11kg



Pipe to Pipe Clamps

	WLL	D1	D2	D3	D4	kg
T30700	220kg	Ø48mm	150mm	300mm	30mm	0.83kg
T30900	220kg	Ø48mm	225mm	375mm	30mm	0.97kg
T31000	220kg	Ø48mm	300mm	450mm	30mm	1.10kg



"U" Bolts with Threaded Plate

	WLL	D1	D2	D3	D4	kg
T32400	140kg	Ø32mm	62mm	M8	M10	0.15kg
T32500	140kg	Ø32mm	62mm	M8	M12	0.15kg
T33400	140kg	Ø48mm	78mm	M8	M10	0.19kg
T33500	140kg	Ø48mm	78mm	M8	M12	0.19kg



'U' Bolts	
T56500	32mm
T56600	48mm

Arches for "U" Bolt	
T56800	To suit 48mm "U" Bolts
T56900	'U' Bolt Assembly (T56600 + T56800)

Extension Plate	
T33600	30 x 5 x 265mm

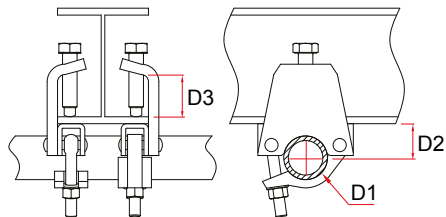
Girder Clamps

The Doughty Girder Clamp range is a comprehensive range of steel bracketry designed specifically to mount on to structural girders/beams often used to suspend loads.



Please note: All parts shown with a WLL are tested under factory conditions in a horizontal plane with the load straight down unless specified otherwise. For parts used in a different orientation we would strongly advise that they are tested after installation by a competent person & a WLL issued by them.

Always remember - Any rigging product or combination of rigging products is only as strong as its weakest, or lowest WLL rated, parts.

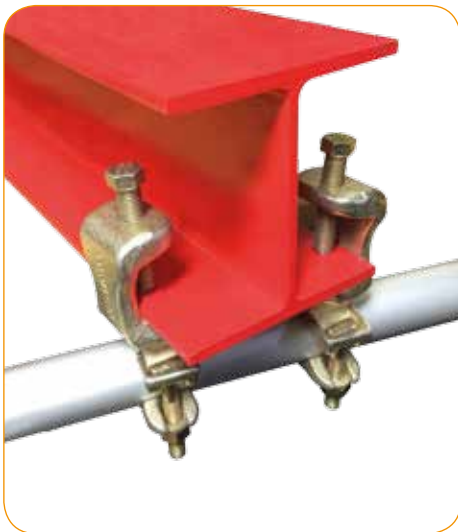


NOTE: MUST BE USED IN PAIRS



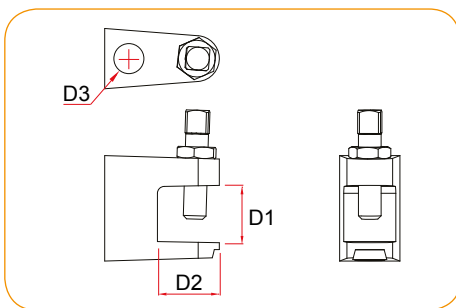
Gravlock Coupler - Pair

	WLL	D1	D2	D3	kg
T29497	600kg	Ø48mm	38mm	0 - 45mm	3.00kg



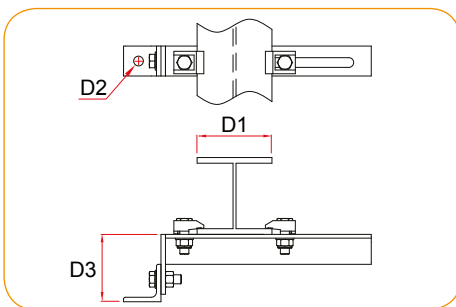
Gravlock Swivel Coupler

	WLL	D1	D2	D3	kg
T29498	600kg	Ø48mm	58mm	0 - 45mm	3.00kg



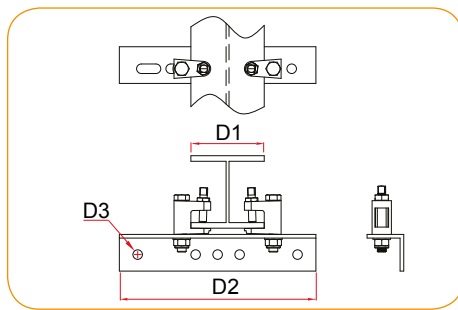
Lindapter Flange Clamp

	WLL	D1	D2	D3	kg
T29700	300kg	25mm	25mm	13mm	0.20kg



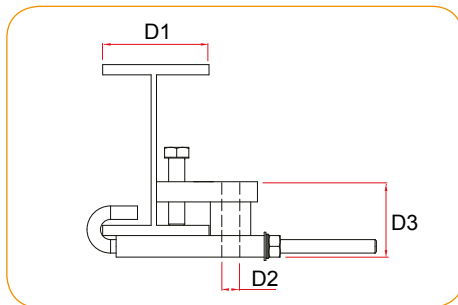
Girder Clamp with End Bracket

	WLL	D1	D2	D3	kg
T29804	60kg	100 - 180mm	13mm	90mm	1.36kg
T29805	60kg	180 - 280mm	13mm	90mm	1.64kg
T29806	60kg	230 - 380mm	13mm	90mm	1.66kg



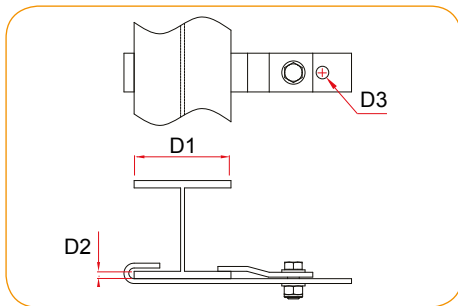
Adjustable Girder Clamp

	WLL	D1	D2	D3	kg
T29500	500kg	75 - 150mm	268mm	13mm	1.19kg
T29600	500kg	150 - 300mm	445mm	13mm	2.0kg



Adjustable Girder Clamp Light Duty

	WLL	D1	D2	D3	kg
T29800	250kg	100 - 150mm	13mm	56mm	1.19kg
T29801	250kg	150 - 200mm	13mm	56mm	1.30kg

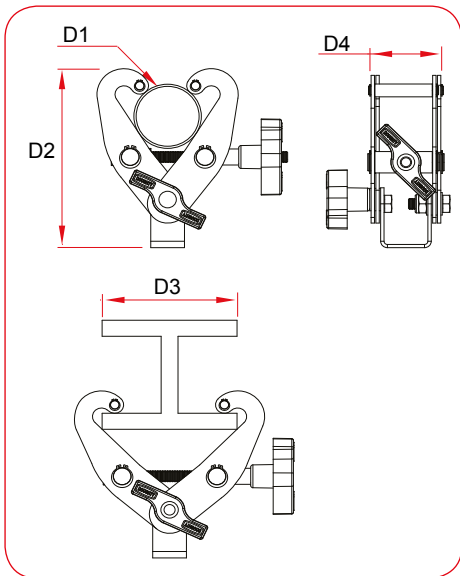


Pressed Girder Bracket

	WLL	D1	D2	D3	kg
T29810	3kg	<125mm	10mm	16mm	0.64kg

Scissor Clamps

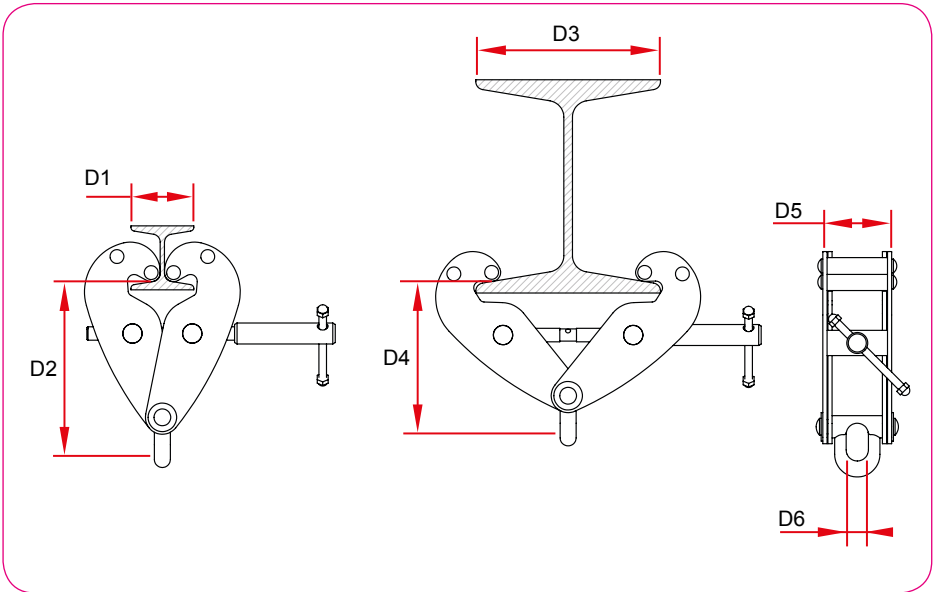
The Scissor Clamp is available in two sizes, Light Duty with a WLL of 100kg & Heavy Duty with a WLL of 250kg. This clamp has been designed to clamp to beams and tubes and has a black powder paint finish.



Scissor Clamps						
	WLL	D1	D2	D3	D4	kg
T29850	100kg	48 - 60mm	170mm	<120mm	62mm	1.40kg
T29860	250kg	48 - 60mm	170mm	<120mm	74mm	1.90kg

Beam Clamp

An all steel clamp for attaching to steel beams providing a quick versatile rigging point. This beam clamp is manufactured with a forged steel attachment eye.



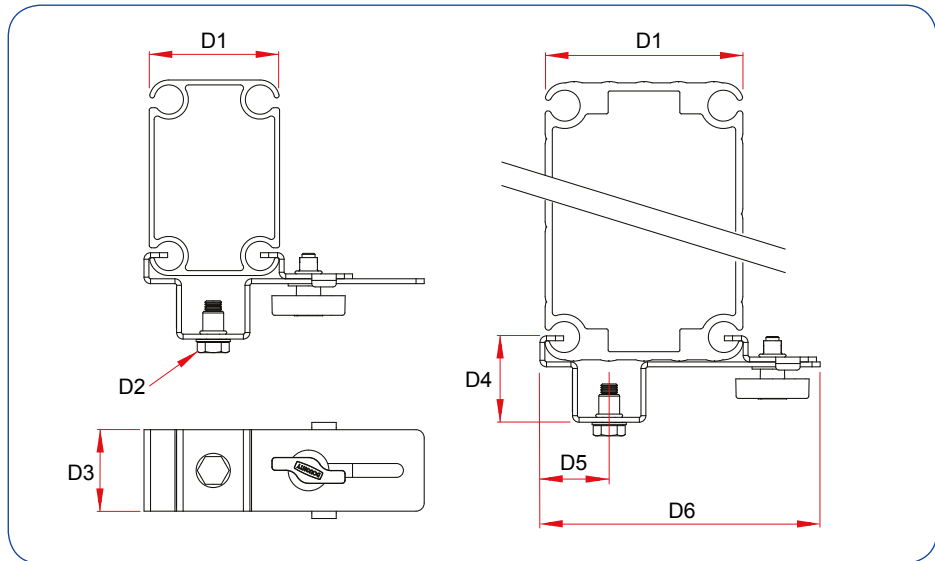
Beam Clamp								
	WLL	D1	D2	D3	D4	D5	D6	kg
T29870	1000kg	75mm	202mm	<220mm	177mm	82mm	27mm	5.0kg

Marquee Clamps

The range of Marquee Clamps are adjustable specifically designed for use with clear span marquees using grooved aluminium Kader style beams.



WLL 20 Kg

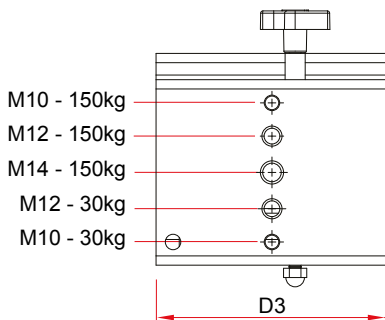
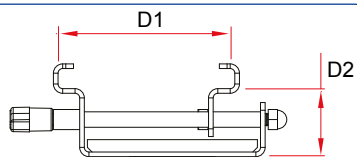


Light Duty Marquee Clamp

	WLL	D1	D2	D3	D4	D5	D6	kg
T28865	20kg	80 - 125mm	M10	50mm	53mm	40mm	172mm	0.5kg



WLL 150Kg

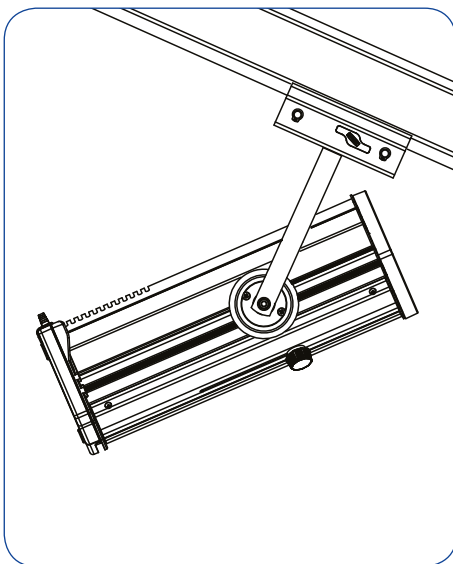
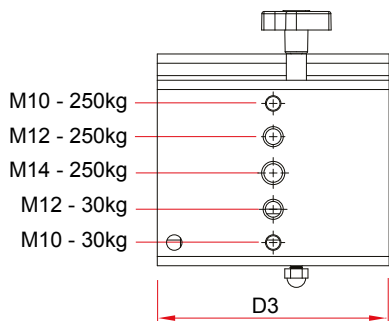
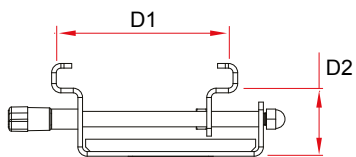


Standard Marquee Clamp

	WLL	D1	D2	D3	kg
T28870	<150kg	50 - 110mm	44mm	150mm	1.30kg



WLL 250Kg



Heavy Duty Marquee Clamp

	WLL	D1	D2	D3	kg
T28875	<250kg	50 - 150mm	47mm	200mm	3.60kg

Hook Clamps

The standard range of Hook Clamps includes clamps to suit tube diameters from 20mm to 75mm. Manufactured from high quality steel, these clamps are simple to use and extremely strong.

They are available in a bright zinc plate finish or black powder paint and virtually any size hook clamp can be made to your specification upon request.





T20100 - Silver
T20101 - Black



T20104 - Silver
T2010401 - Black

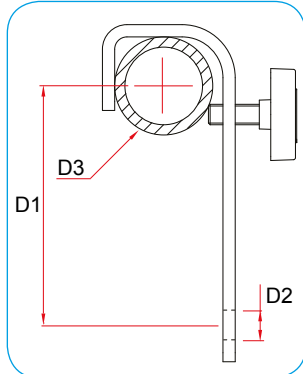
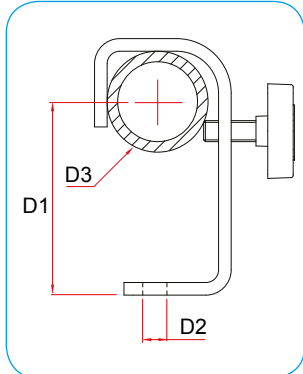
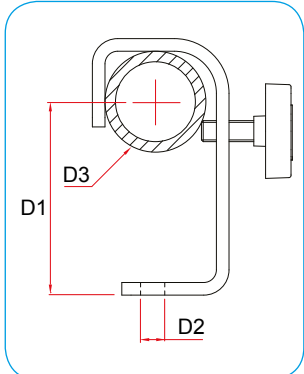
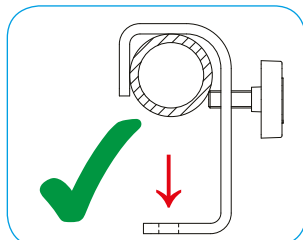
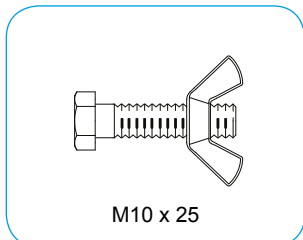
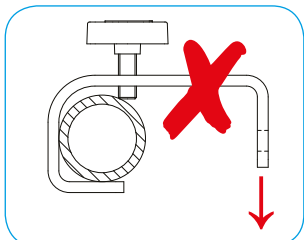


T20107 - Silver
T2010701 - Black

Hook Clamp 50mm	
WLL	40kg
D1	95mm
D2	13mm
D3	Ø48 - 51mm
Width	25mm
kg	0.32kg

Hook Clamp c/w Fixings	
WLL	40kg
D1	95mm
D2	13mm
D3	Ø48 - 51mm
Width	25mm
kg	0.32kg

Hook Clamp Straight Back	
WLL	40kg
D1	115mm
D2	13mm
D3	Ø48 - 51mm
Width	25mm
kg	0.33kg





T20105 - Silver
T2010501 - Black



T20102 - Silver



T20400 - Silver
T20401 - Black

Hook Clamp Single-Ended

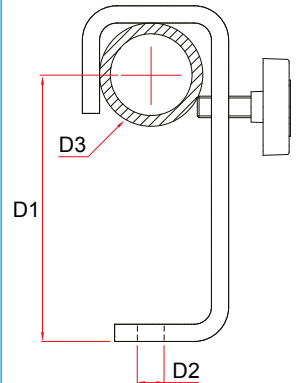
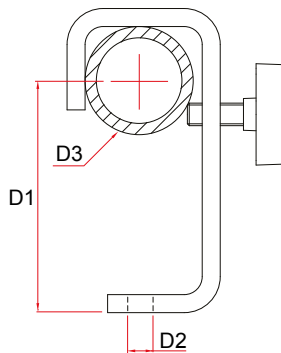
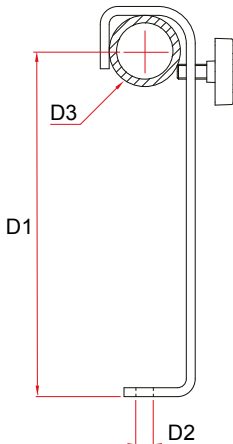
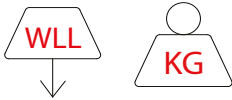
WLL	40kg
D1	233mm
D2	13mm
D3	Ø48 - 51mm
Width	25mm
kg	0.48kg

50mm Medium Duty

WLL	100kg
D1	103mm
D2	13mm
D3	Ø48 - 51mm
Width	25mm
kg	0.43kg

50mm Heavy Duty

WLL	150kg
D1	124mm
D2	13mm
D3	Ø48 - 51mm
Width	50mm
kg	0.88kg





T20900 - Silver
T20901 - Black



T21100 - Silver
T21101 - Black



T21800 - Silver
T21801 - Black

Hook Clamp TV Spec

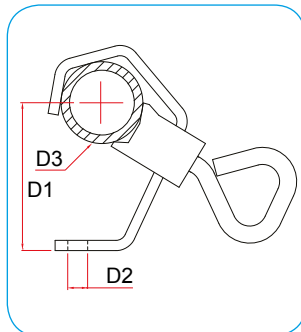
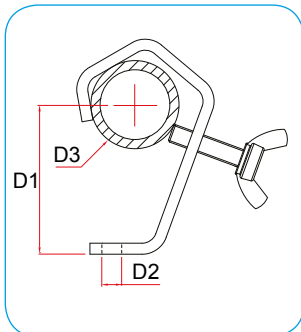
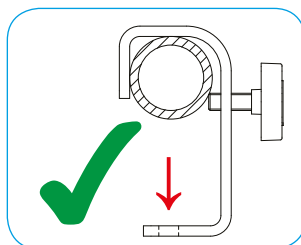
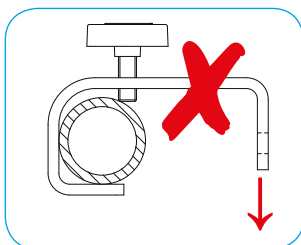
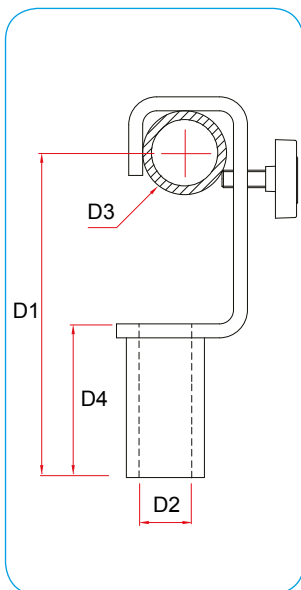
WLL	150kg
D1	186mm
D2	29mm
D3	Ø48 - 51mm
D4	88mm
Width	50mm
kg	1.42kg

Hook Clamp Universal

WLL	40kg
D1	80mm
D2	13mm
D3	Ø25 - 51mm
Width	25mm
kg	0.29kg

Truss Type Universal

WLL	40kg
D1	80mm
D2	13mm
D3	Ø48 - 51mm
Width	25mm
kg	0.38kg





T20405 - Black



T20212



T20210

Universal Heavy Duty

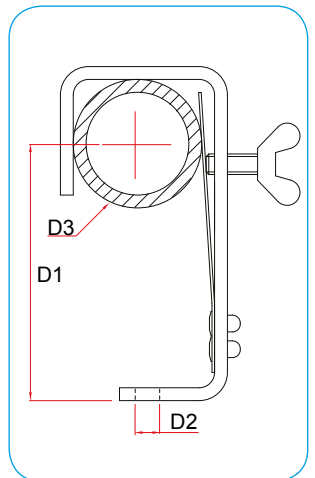
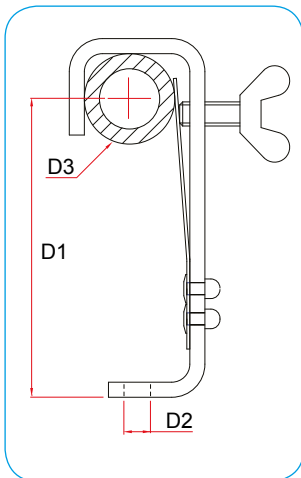
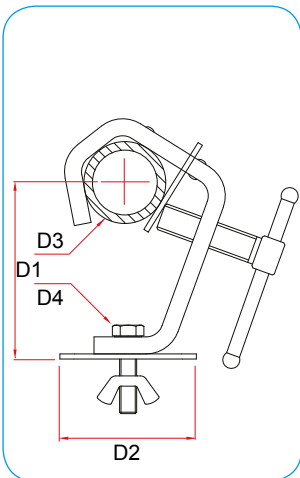
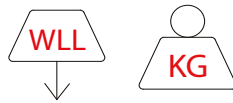
WLL	150kg
D1	100mm
D2	Ø80mm
D3	Ø38 - 51mm
D4	M10 x 45
Width	50mm
kg	1.16kg

30mm c/w Protector Strip

WLL	25kg
D1	100mm
D2	10mm
D3	Ø30mm
Width	25mm
kg	0.20kg

50mm c/w Protector Strip

WLL	25kg
D1	100mm
D2	10mm
D3	Ø48 - 51mm
Width	25mm
kg	0.26kg





T20000



T20301



T20200 - Silver
T20201 - Black

Hook Clamp 18mm Light Duty

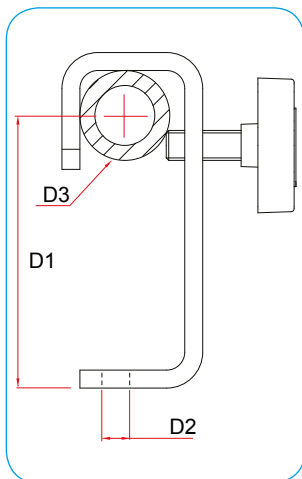
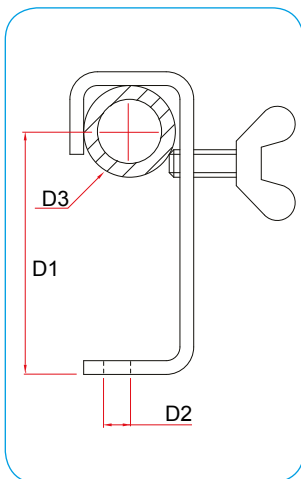
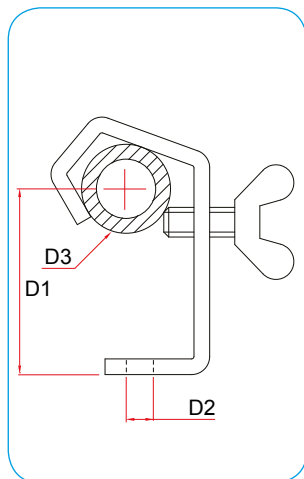
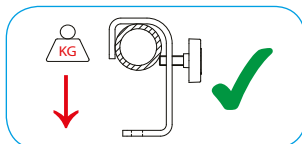
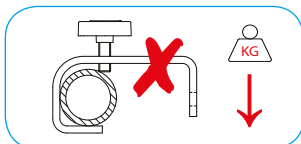
WLL	2kg
D1	37mm
D2	7mm
D3	Ø18mm
Width	20mm
kg	0.03kg

Hook Clamp 20mm

WLL	15kg
D1	53mm
D2	7mm
D3	Ø20mm
Width	20mm
kg	0.07kg

Hook Clamp 30mm

WLL	15kg
D1	91mm
D2	13mm
D3	Ø30mm
Width	25mm
kg	0.30kg





T20103 - Silver
T2010301 - Black



T21805 - Silver
T2180501 - Black



T21810 - Silver
T2181001 - Black

Hook Clamp 50mm Light Duty

WLL	2kg
D1	80mm
D2	11mm
D3	Ø48 - 51mm
Width	20mm
kg	0.11kg

Hook Clamp 75mm

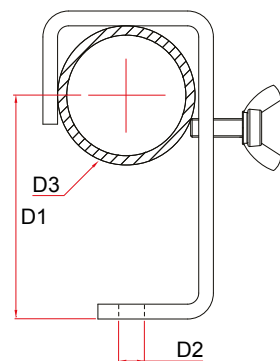
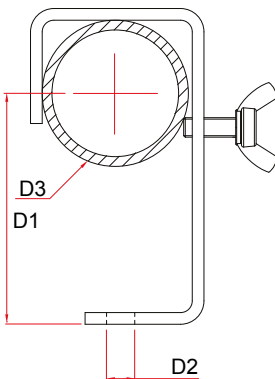
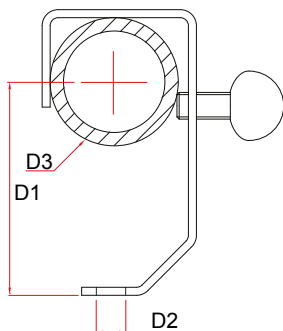
WLL	50kg
D1	120mm
D2	13mm
D3	Ø75mm
Width	30mm
kg	0.38kg

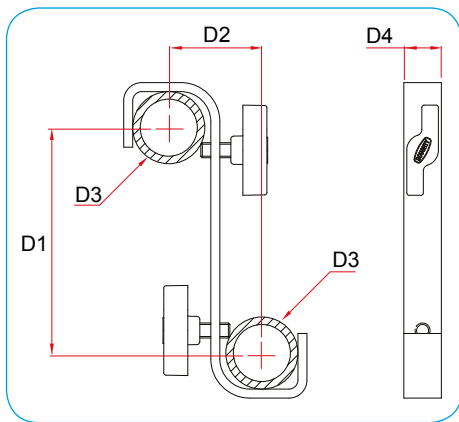
Hook Clamp 75mm Heavy Duty

WLL	150kg
D1	120mm
D2	13mm
D3	Ø75mm
Width	50mm
kg	1.08kg



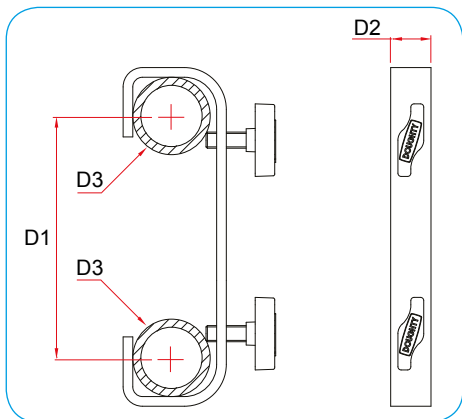
**Special
Hook Clamps
Made to Order**





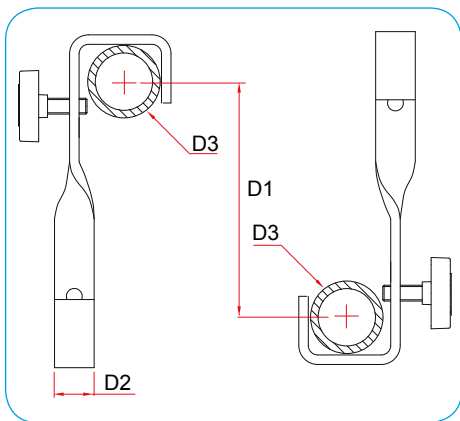
Double Ended 180° Twist Hook Clamp

	WLL	D1	D2	D3	D4	kg
T19700	40kg	150mm	60mm	Ø48 - 51mm	25mm	0.50kg
T19800	40kg	225mm	60mm	Ø48 - 51mm	25mm	0.58kg
T19900	40kg	300mm	60mm	Ø48 - 51mm	25mm	0.67kg
T19905	40kg	450mm	60mm	Ø48 - 51mm	25mm	0.89kg
T19910	40kg	600mm	60mm	Ø48 - 51mm	25mm	1.09kg



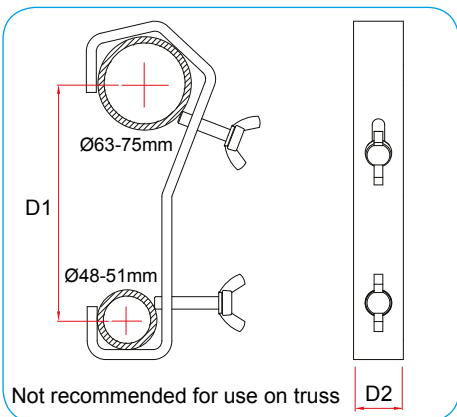
Double Ended Parallel Hook Clamp

	WLL	D1	D2	D3	kg
T20500	40kg	150mm	25mm	Ø48 - 51mm	0.50kg
T20600	40kg	225mm	25mm	Ø48 - 51mm	0.58kg
T20700	40kg	300mm	25mm	Ø48 - 51mm	0.67kg
T20705	40kg	450mm	25mm	Ø48 - 51mm	0.89kg
T20710	40kg	600mm	25 mm	Ø48 - 51mm	1.09kg



Hook Clamp Double-Ended 90° Twist

	WLL	D1	D2	D3	kg
T21500	40kg	150mm	25mm	Ø48 - 51mm	0.50kg
T21600	40kg	225mm	25mm	Ø48 - 51mm	0.58kg
T21700	40kg	300mm	25mm	Ø48 - 51mm	0.67kg
T21705	40kg	450mm	25mm	Ø48 - 51mm	0.89kg
T21710	40kg	600mm	25mm	Ø48 - 51mm	1.09kg

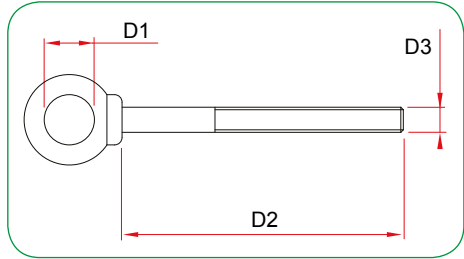


Hook Clamp Double-Ended (63-75mm to 48-50mm)

	WLL	D1	D2	kg
T20910	150kg	190mm	40mm	1.03kg

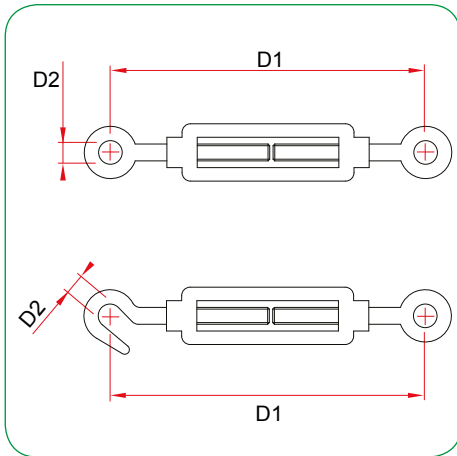
Special Sizes Made to Order

Hooks & Eyes



Gate Eye

		D1	D2	D3
T42600	M10 x 115	12mm	115mm	11mm
T42700	M12 x 135	18mm	135mm	13mm

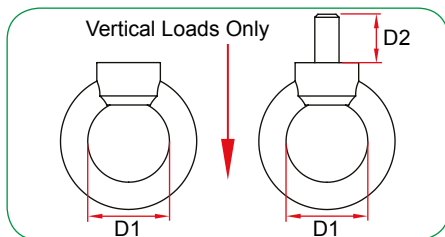


Barrel Strainers

		WLL	D1	D2
T39500	M8 Hook and Eye	130kg	155 - 225mm	10mm
T37500	M8 Eye and Eye	230kg	155 - 225mm	10mm
T39600	M10 Hook and Eye	440kg	190 - 265mm	13.5mm
T37600	M10 Eye and Eye	700kg	190 - 265mm	13.5mm

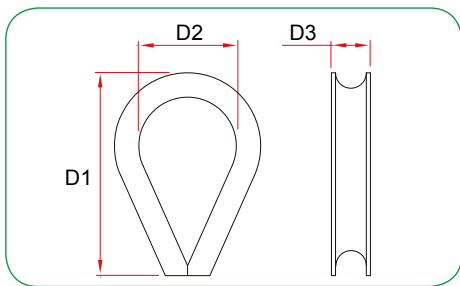
Eye Nuts

	Size	WLL	D1	Standard	Notes
T42000	M6	70kg	20mm	DIN 582	(plated)
T42001	M6	70kg	20mm	DIN 582	Tested (plated)
T42100	M8	140kg	20mm	DIN 582	(plated)
T42101	M8	140kg	20mm	DIN 582	Tested (plated)
T42200	M10	230kg	24mm	DIN 582	(plated)
T42201	M10	230kg	24mm	DIN 582	Tested (plated)
T42202	M10	230kg	24mm	DIN 582	(black)
T42300	M12	340kg	30mm	DIN 582	(plated)
T42301	M12	500kg	43mm	HT	Tested (large eye)
T42302	M12	340kg	30mm	DIN 582	(black)
T42303	M12	340kg	30mm	DIN 582	Tested (black)
T42305	M12	500kg	35mm		Tested (Red)
T42307	M12	750kg	35mm	DIN 582	Tested (pink)



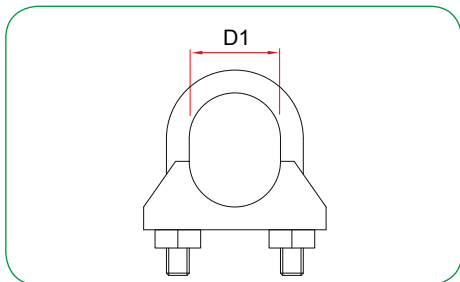
Eye Bolts

	Size	WLL	D1	D2	Standard	Notes
T42500	M6	100kg	15mm	19mm	BS 4278/1	(self colour)
T42501	M6	100kg	15mm	19mm	BS 4278/1	Tested (plated)
T42502	M6	70kg	20mm	13mm	DIN 580	Large Eye (plated)
T39700	M8	150kg	15mm	19mm	BS 4278/1	(self colour)
T39701	M8	150kg	15mm	19mm	BS 4278/1	Tested (plated)
T39702	M8	140kg	20mm	13mm	DIN 580	Large Eye (plated)
T39800	M10	250kg	15mm	19mm	BS 4278/1	(self colour)
T39801	M10	250kg	15mm	19mm	BS 4278/1	Tested (plated)
T39802	M10	230kg	25mm	17mm	DIN 580	Large Eye (self colour)
T39900	M12	400kg	15mm	19mm	BS 4278/1	(self colour)
T39901	M12	400kg	15mm	19mm	BS 4278/1	Tested (plated)
T39902	M12	340kg	30mm	19mm	DIN 580	Large Eye (plated)



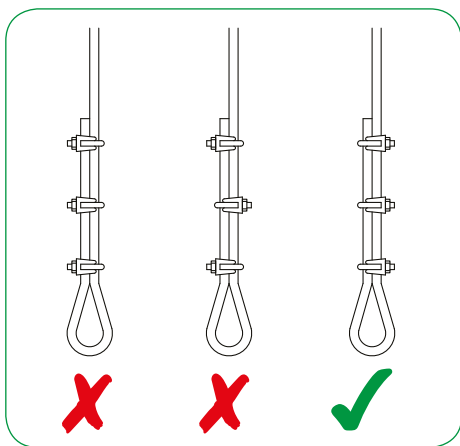
Thimbles

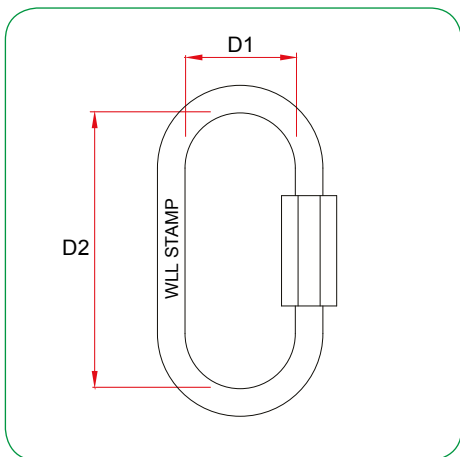
	Size	D1	D2	D3	Standard
T38600	3mm	26mm	10mm	7mm	
T38700	4 - 5mm	34mm	13mm	9mm	BS 464
T38800	6 - 7mm	38mm	17mm	10mm	
T38802	6 - 7mm	48mm	18mm	12mm	BS 464
T38900	8mm	53mm	24mm	13mm	
T38902	8mm	57mm	22mm	13mm	BS 464
T39000	9 - 10mm	62mm	31mm	14mm	
T39002	9 - 10mm				BS 464



Cable Grips

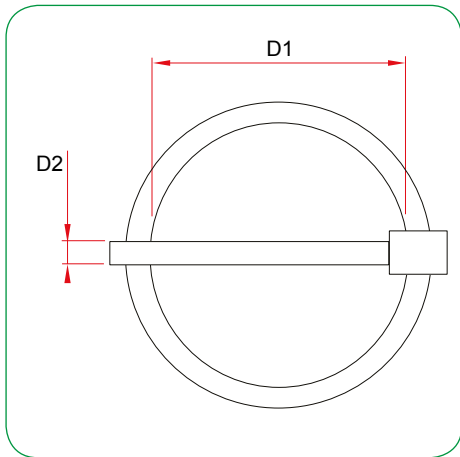
	Size	D1	Standard
T38000	3mm	5mm	
T38100	4 - 5mm	6mm	
T38101	4 - 5mm	6mm	DIN 1142
T38200	6 - 7mm	8mm	
T38201	6 - 7mm	8mm	DIN 1142
T38400	8mm	9mm	
T38401	8mm	9mm	DIN 1142
T38500	9 - 10mm	12mm	
T38501	9 - 10mm	12mm	DIN 1142





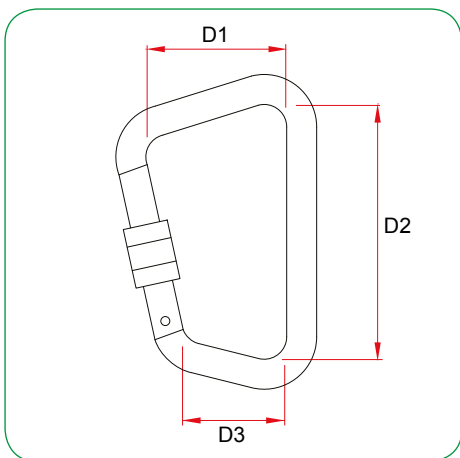
Quick Links - Rated

	Size	WLL	D1	D2	Standard
T23490	M6	200kg	14mm	48mm	DIN 56926
T23500	M8	350kg	17mm	58mm	DIN 56926
T23505	M10	500kg	20mm	70mm	DIN 56926
T23510	M12	750kg	23mm	81mm	DIN 56926



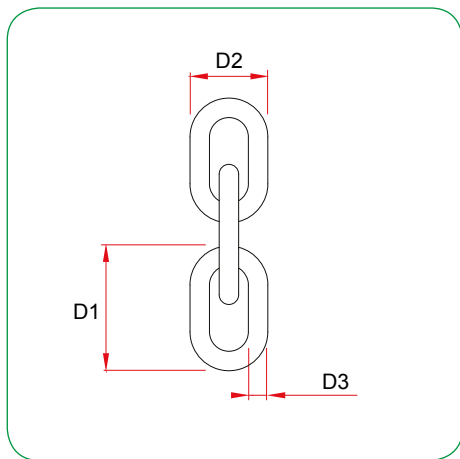
Lynch Pins

	WLL	D1	D2
T21000	200kg	43mm	5.80mm



Karabiners

	WLL	D1	D2	D3
T2870001	400kg	45mm	88mm	30mm



Lifting Chain

	Length	WLL	D1	D2	D3
T28000	per metre	250kg	35mm	25mm	7mm
T28001	1m	250kg	35mm	25mm	7mm
T28025	25m	250kg	35mm	25mm	7mm
T28050	50m	250kg	35mm	25mm	7mm
T28075	100m	250kg	35mm	25mm	7mm

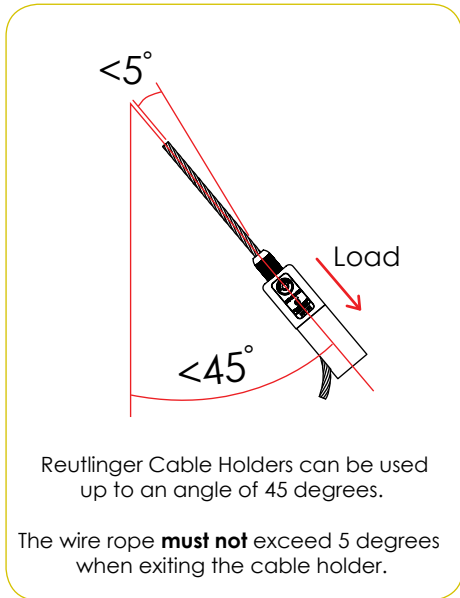
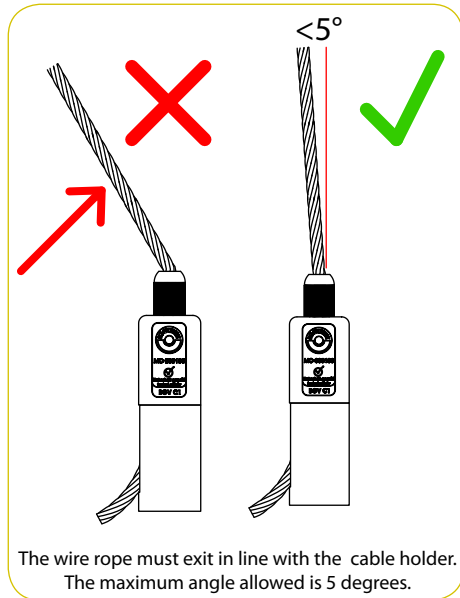
Cable Holders

The range of Cable Holders from Reutlinger is designed to suspend static loads from wire rope without the need for tools or damaging the steel rope.

There are three sizes available, 50 SV III, 66 SV III and 80 SV III.

The Cable Holder is simply threaded on to the wire rope and with the safety nut depressed it can be placed in any position. When the desired position is achieved the safety nut is screwed down by hand and the load can be attached. These Cable Holders can be repositioned numerous times without damaging the wire rope.





Working Loads					
Wire Diameter in mm	Ø4.0mm	Ø5.0mm	Ø6.0mm	Ø1/4"	Ø8.0mm
Cable DIN EN 12385-4, 6x7+1FE,1770 N/mm²					
Type 50SV III (DGUV)	60kg	90kg	-	-	-
Cable DIN EN 12385-4, 6x19+1FE,1770 N/mm²					
Type 50SV III (DGUV)	60kg	90kg	-	-	-
Type 66SV III (DGUV)	-	-	135kg	150kg	-
Type 80SV III (DGUV)	-	-	135kg	-	240kg
Cable DIN EN 12385-4, 6x37+1FE,1770 N/mm²					
Type 80SV III (DGUV)	-	-	135kg	-	240kg



T37650



T37653



T37651
T37656 - Side Exit Wire

Type 50 - M12 Male

WLL	4mm wire	60kg
WLL	5mm wire	90kg
D1	M12	
D2	17mm	
D3	Ø25mm	
D4	70mm	
kg	0.12kg	

Type 50 - M12 Female

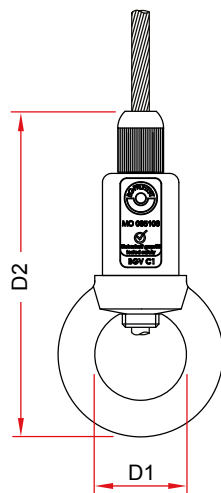
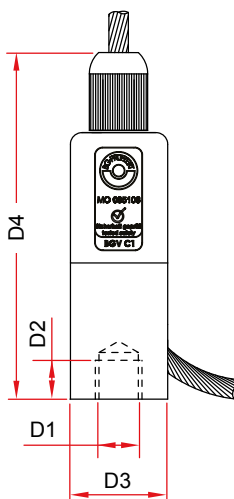
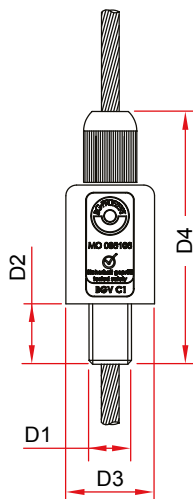
WLL	4mm wire	60kg
WLL	5mm wire	90kg
D1	M12	
D2	10mm	
D3	Ø25mm	
D4	93mm	
kg	0.24kg	

Type 50 with Eye

WLL	4mm wire	60kg
WLL	5mm wire	90kg
D1	30mm	
D2	107mm	
kg	0.26kg	



Type 50SV III





T37652



T37655



T37654

Type 50 with Fork

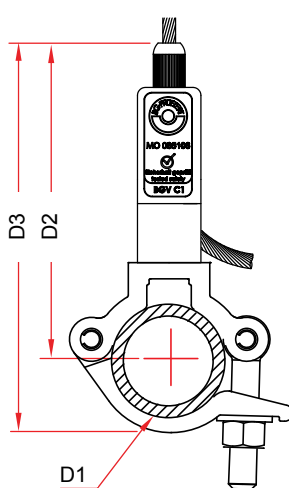
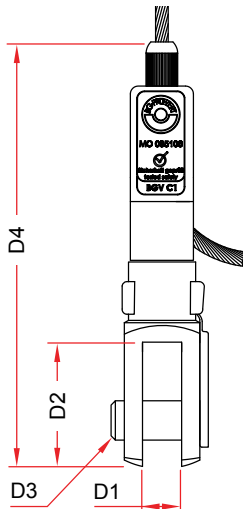
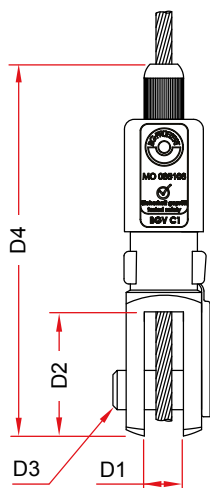
WLL	4mm wire	60kg
WLL	5mm wire	90kg
D1	14mm	
D2	41mm	
D3	Ø14mm	
D4	126mm	
kg	0.35kg	

Type 50 - Side Exit Fork

WLL	4mm wire	60kg
WLL	5mm wire	90kg
D1	14mm	
D2	41mm	
D3	Ø14mm	
D4	165mm	
kg	0.49kg	

Type 50 with Coupler

WLL	4mm wire	60kg
WLL	5mm wire	90kg
D1	Ø48 - 51mm	
D2	125mm	
D3	165mm	
Clamp Width	30mm	
kg	0.50kg	





T37660



T37663



T37661
T37666 - Side Exit Wire

Type 66 - M16 Male

WLL	6mm wire	135kg
WLL	1/4" (6.35) wire	150kg
D1	M16	
D2	20mm	
D3	Ø34mm	
D4	70mm	
kg	0.12kg	

Type 66 - M16 Female

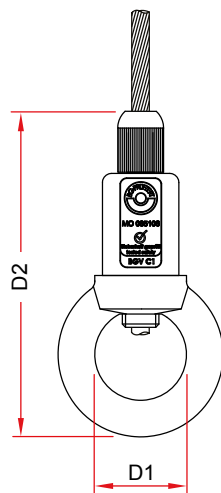
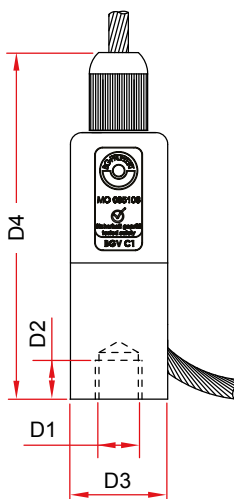
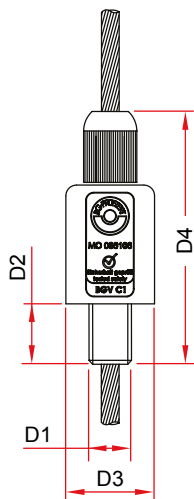
WLL	6mm wire	135kg
WLL	1/4" (6.35) wire	150kg
D1	M16	
D2	12mm	
D3	Ø34mm	
D4	96mm	
kg	0.24kg	

Type 66 with Eye

WLL	6mm wire	135kg
WLL	1/4" (6.35) wire	150kg
D1	35mm	
D2	110mm	
kg	0.26kg	



Type 66SV III





T37662



T37665



T37664

Type 66 with Fork

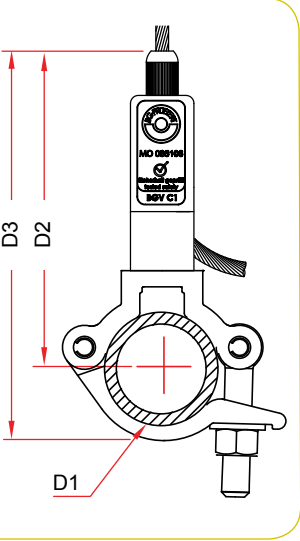
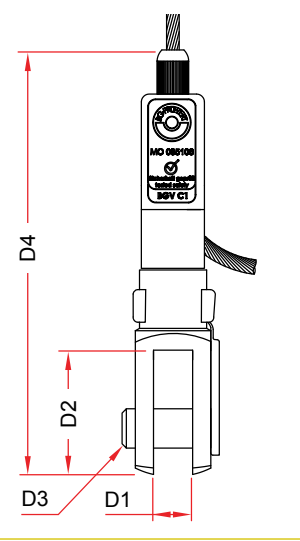
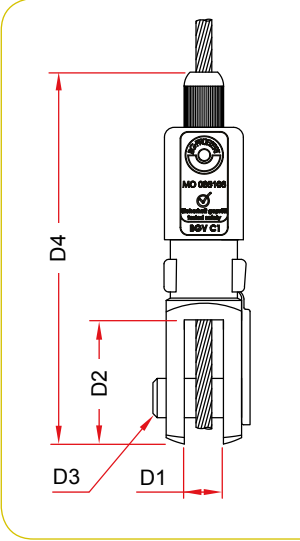
WLL	6mm wire	135kg
WLL	1/4" (6.35) wire	150kg
D1	16mm	
D2	32mm	
D3	Ø16mm	
D4	129mm	
kg	0.35kg	

Type 66 - Side Exit Fork

WLL	6mm wire	135kg
WLL	1/4" (6.35) wire	150kg
D1	13mm	
D2	32mm	
D3	Ø16mm	
D4	176mm	
kg	0.49kg	

Type 66 with Coupler

WLL	6mm wire	135kg
WLL	1/4" (6.35) wire	150kg
D1	Ø48 - 51mm	
D2	120mm	
D3	160mm	
Clamp Width	30mm	
kg	0.50kg	





T37680



T37683



T37681
T37686 - Side Exit Wire

Type 80 - M20 Male

WLL	6mm wire	135kg
WLL	8mm wire	240kg
D1	M20	
D2	30mm	
D3	Ø40mm	
D4	115mm	
kg	0.54kg	

Type 80 - M12 Female

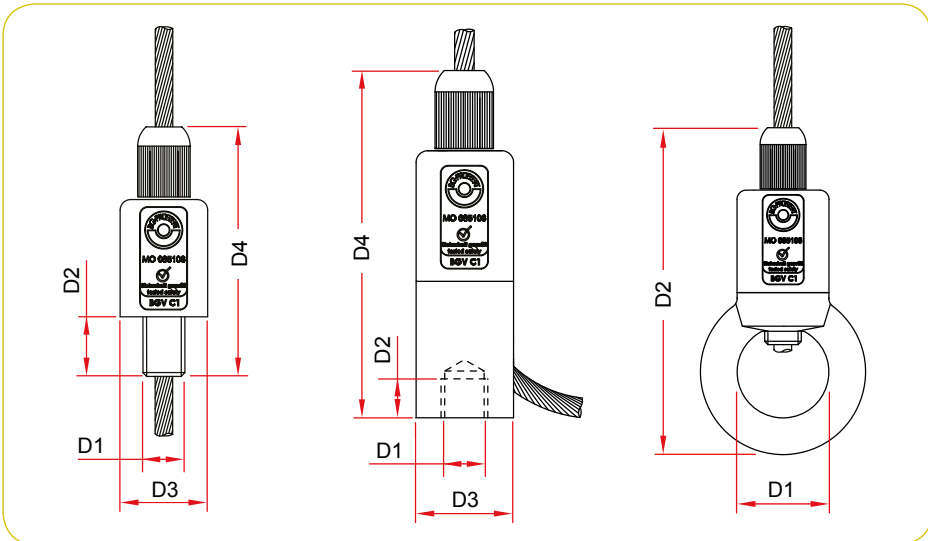
WLL	6mm wire	135kg
WLL	8mm wire	240kg
D1	M12	
D2	10mm	
D3	Ø40mm	
D4	139mm	
kg	0.94kg	

Type 80 with Eye

WLL	6mm wire	135kg
WLL	8mm wire	240kg
D1	Ø40mm	
D2	158mm	
kg	0.88kg	

REUTLINGER
Abhängung mit System

Type 80SV III





T37682



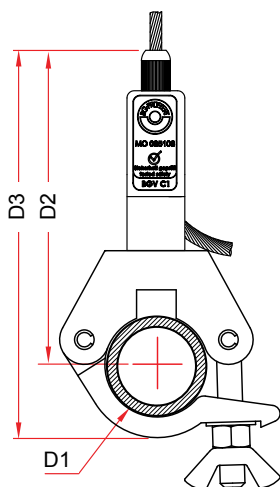
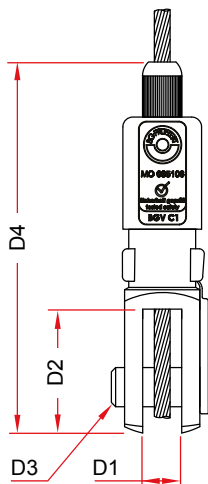
T37684

Type 80 with Fork

WLL	6mm wire	135kg
WLL	8mm wire	240kg
D1		20mm
D2		65mm
D3		Ø20mm
D4		191mm
kg		1.20kg

Type 80 with Coupler

WLL	6mm wire	135kg
WLL	8mm wire	240kg
D1		Ø48 - 51mm
D2		194mm
D3		228mm
Clamp Width		50mm
kg		1.62kg

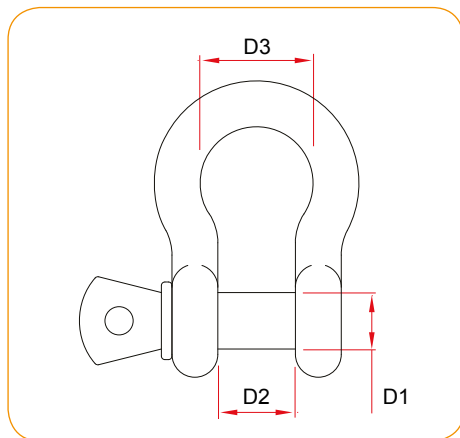
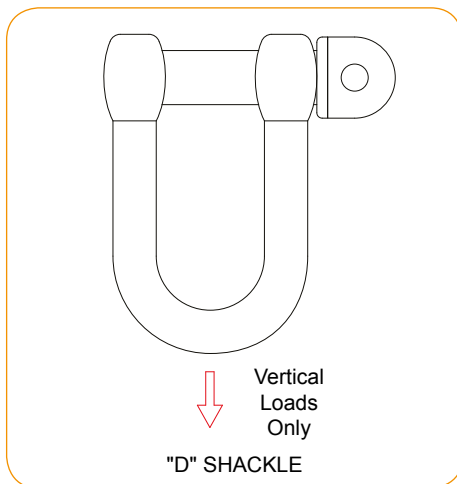
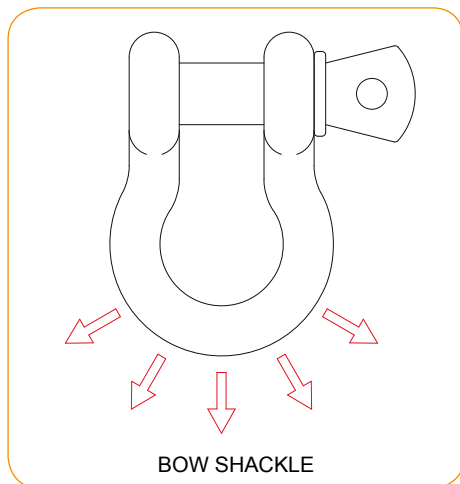


Abhängung mit System

REUTLINGER

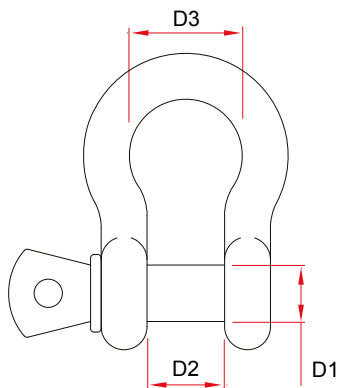
Bow Shackles

Unlike "D" Shackles, Bow Shackles are able to take loads from multiple directions.



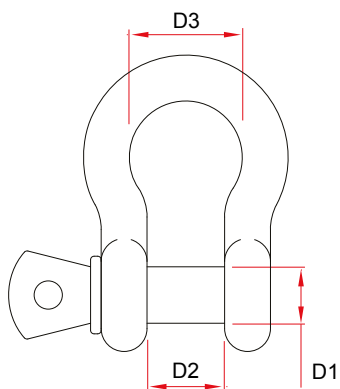
Bow Shackles - Silver Pin (EN 13889/RR-C-271B)

	WWL	D1	D2	D3
T39100	330kg	6mm	9.5mm	16mm
T39200	500kg	8mm	12mm	19mm
T39300	750kg	10mm	13mm	20mm
T39400	1500kg	12.5mm	17mm	28mm



Bow Shackles - Green Pin (EN 13889/RR-C-271B)

	WWL	D1	D2	D3
T39101	330kg	6mm	9.5mm	16mm
T39201	500kg	8mm	12mm	21mm
T39301	750kg	10mm	13mm	22mm
T39401	1500kg	12.5mm	17mm	28mm



Crosby® G209 Shackles (EN 13889/RR-C-271B)

Available on request

Safety Bonds

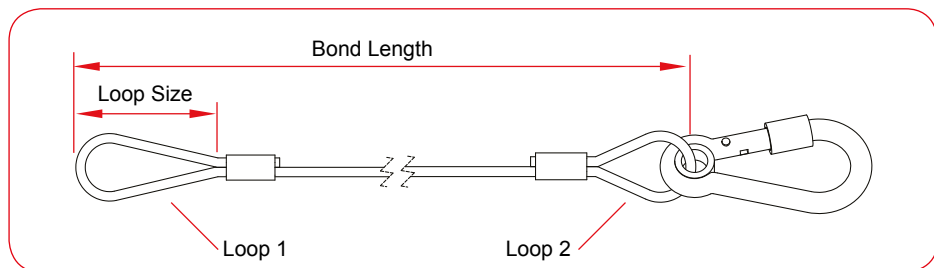
The Safety Bonds shown on the following pages represent our standard range of stock items. We are able to supply any length bonds with fittings to suit individual requirements, including dedicated labels.

All bonds are manufactured in accordance with BS302, BS7905, DIN 3055, DIN 3060, LOLER Standards and the Machinery Directive and are supplied with a batch test certificate.

Safety Bonds are to be used as a secondary safety device and not for lifting.

Custom Bonds

Doughty Engineering supplies a full range of bonds to the customer's specification. When ordering custom bonds note the bond length is from loop to loop excluding any hooks. If a hook is specified with a soft loop, the soft loop will be large enough for the hook to pass through. A thimble loop will allow the hook to be attached to the thimble loop. Special loop sizes can be made on request. Our technical sales team will advise the wire diameter and hook specification depending on the WLL required. All bonds can be supplied with the WLL, your company name and contact details printed on a heat shrink sleeve.



Please note: To comply with the relevant standards all safety bonds must be marked with a Working Load Limit. In the interest of traceability they must display a Serial Number, Company Name & Contact Details.

Company Name and Contact Details must fit on two lines of 25 characters (including spaces).



Safety Bond WLL 5kg - 500mm
 T2840001 2mm wire



Safety Bond WLL 5kg - 540mm
 T22001 3mm wire



Safety Bond WLL 20kg - 600mm
 T2841001 2mm wire



Safety Bond WLL 36kg - 600mm
 T2844001 4mm wire



Safety Bond WLL 36 kg - 1000mm
 T2844501 4mm wire



Safety Bond WLL 100kg - 600mm
 T2849001 3mm wire

Standard Pulleys

The Doughty Pulley system is of modular construction, allowing easy assembly of single or multiple sheave units from a limited range of standard components. With the addition of various brackets and fixings, the basic pulleys will fulfil a variety of specialist needs. Sheaves are available for fibre or wire ropes.

All Standard Doughty Pulleys have a Working Load Limit of 150kg.





Single



Double



Triple



Quad



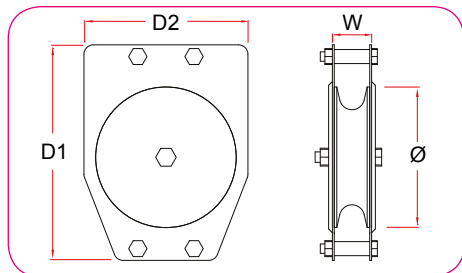
Quin

Ø100 = 12mm Rope
4mm Wire

Ø150 = 18mm Rope
6mm Wire

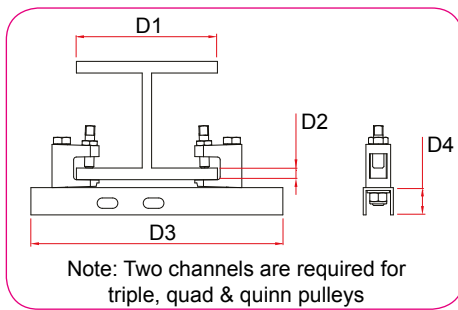
Ø180 = 18mm Rope
6mm Wire

Ø100mm		Ø150mm		Ø180mm		
Wire		Wire		Wire		W
T42800	Single	T42820	Single	T42830	Single	22mm
T42801	Double	T42821	Double	T42831	Double	53mm
T42812	Triple	T42822	Triple	T42832	Triple	85mm
T42813	Quad	T42823	Quad	T42833	Quad	116mm
T42814	Quin	T42824	Quin	T42834	Quin	148mm
Rope		Rope		Rope		W
T42836	Single	T42846	Single	T42855	Single	22mm
T42837	Double	T42847	Double	T42856	Double	53mm
T42838	Triple	T42848	Triple	T42857	Triple	85mm
T42839	Quad	T42849	Quad	T42858	Quad	116mm
T42840	Quin	T42850	Quin	T42859	Quin	148mm



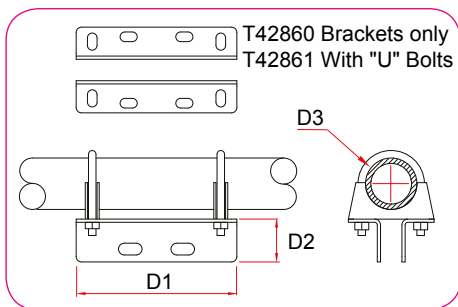
	Ø100mm	Ø150mm	Ø180mm
D1	178mm	230mm	278mm
D2	125mm	175mm	200mm
WLL	150Kg	150kg	150kg





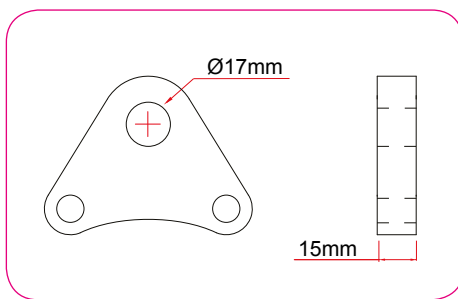
Girder Channel with Flange Clamps

	WLL	D1	D2	D3	D4
T42870	150kg	75 - 150mm	< 20mm	270mm	25mm
T42872	150kg	150 - 300mm	< 20mm	450mm	25mm



Multifix Brackets

	WLL	D1	D2	D3
T42860 (without "U" bolts)	150kg	150mm	50mm	Ø48mm
T42861 (with "U" bolts)	150kg	150mm	50mm	Ø48mm

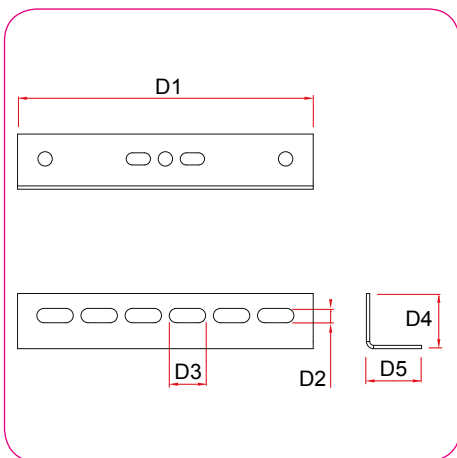


Awning Profile

Designed to be used with an M12 Shackle.

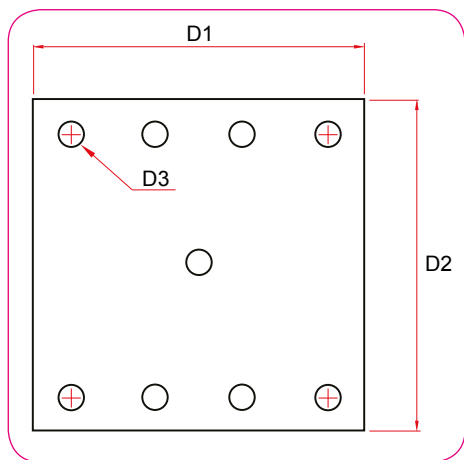
T42865

WLL 150kg



Multibeam / Girder Angle Brackets

	WLL	D1	D2	D3	D4	D5
T42885	150kg	270mm	13mm	33mm	50mm	50mm
T42886	150kg	450mm	13mm	33mm	50mm	50mm



Wall Side Plates

	WLL	D1	D2	D3
T42897 for 100mm Pulleys	150kg	185mm	178mm	10mm
T42898 for 150mm Pulleys	150kg	235mm	230mm	10mm
T42899 for 180mm Pulleys	150kg	275mm	260mm	10mm

Heavy Duty Pulleys

The Doughty Heavy Duty Pulleys are constructed from nylon sheaves together with ball raced bearings for smooth friction free operation. Side plates are constructed from 5mm thick steel giving an extremely strong construction. Heavy Duty Pulleys are available with 100mm, 150mm and 200mm sheaves with WLLs of 200, 400 and 600kgs respectively. Pulleys are available for both fibre and wire ropes together with a range of bracketry to suit.





Single



Double



Triple



Quad



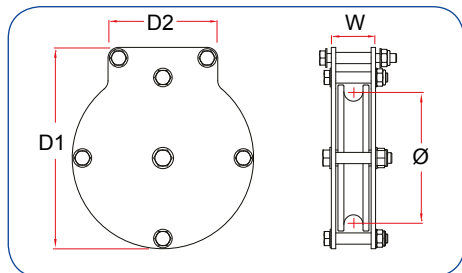
Quin

Ø100 = 12mm Rope
4mm Wire

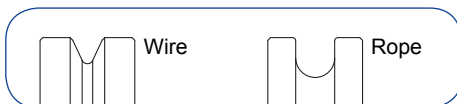
Ø150 = 18mm Rope
6mm Wire

Ø200 = 18mm Rope
6mm Wire

HD Ø100mm		HD Ø150mm		HD Ø200mm		W
Rope		Rope		Rope		W
T42931	Single	T42941	Single	T42951	Single	50mm
T42932	Double	T42942	Double	T42952	Double	75mm
T42933	Triple	T42943	Triple	T42953	Triple	100mm
T42934	Quad	T42944	Quad	T42954	Quad	130mm
T42935	Quin	T42945	Quin	T42955	Quin	160mm
Wire		Wire		Wire		W
T42901	Single	T42911	Single	T42921	Single	50mm
T42902	Double	T42912	Double	T42922	Double	75mm
T42903	Triple	T42913	Triple	T42923	Triple	100mm
T42904	Quad	T42914	Quad	T42924	Quad	130mm
T42905	Quin	T42915	Quin	T42925	Quin	160mm



Ø	100mm	150mm	200mm
D1	178mm	228mm	278mm
D2	124mm	124mm	174mm
WLL	200kg	400kg	600kg

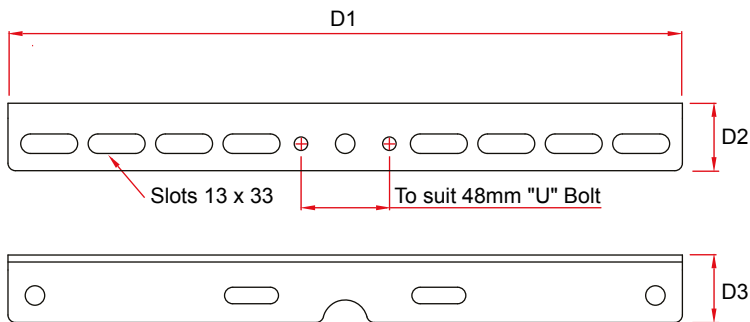




Multibeam Brackets - Heavy Duty

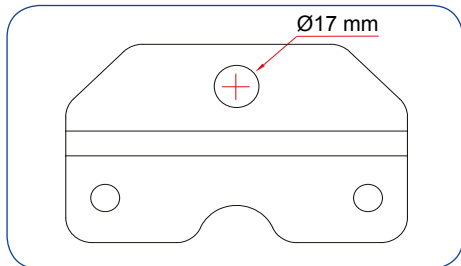
	WLL	D1	D2	D3
T42990	600kg	225mm	45mm	45mm
T42995	600kg	450mm	45mm	45mm

A pair of slotted angle brackets which can be used for wall or ceiling applications. The holes are specifically spaced for the use of 48mm "U" Bolts (T56600).



Heavy Duty Pulley Awnings

100 & 150mm			200mm		
T42984	100 & 150mm	Single Sheave	T42987	200mm	Single Sheave
T42985	100 & 150mm	Double Sheave	T42988	200mm	Double Sheave
T42986	100 & 150mm	Triple Sheave	T42989	200mm	Triple Sheave
WLL	400kg		WLL	600kg	



Designed to be used with an M12 Shackles.





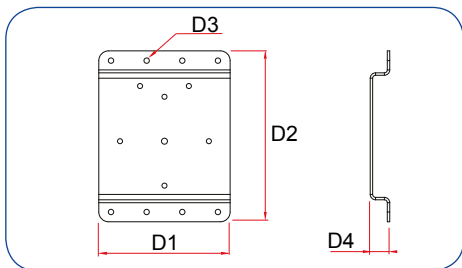
Heavy Duty Universal Plate Assembly

T42979	fits Single Pulley	WLL 600kg
T42980	fits Double Pulley	WLL 600kg
T42981	fits Triple Pulley	WLL 600kg
T42982	fits Quad Pulley	WLL 600kg
T42983	fits Quin Pulley	WLL 600kg

Universal mounting plates enable pulleys to be mounted to tubes with a pair of "U" bolts. These plates are supplied with a pair of multifix brackets and "U" bolts.



Wall Mounting Plates						
	Pulley Size	WLL	D1	D2	D3	D4
T42997	100mm	200kg	219mm	300mm	11mm	40mm
T42998	150mm	400kg	269mm	350mm	11mm	40mm
T42999	200mm	600kg	319mm	400mm	11mm	40mm



Wall plates are available in three sizes, 100mm, 150mm and 200mm. These plates convert an existing pulley into a wall mounted pulley.

Clews & Cleats

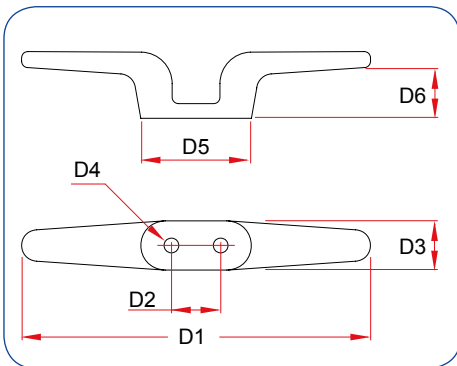
A range of Clews fitted with swivel shackles. Suitable for use with our standard and heavy duty range of pulleys to combine the multiple hanging lines from a flown bar into a single winch line when using drum winches – suitable for wire rope up to 6mm.



Swivel Clews

T41000	3-Way	WLL 250kg
T41100	4-Way	WLL 250kg
T41200	5-Way	WLL 250kg
T41300	3-Way	WLL 500kg
T41400	4-Way	WLL 500kg
T41500	5-Way	WLL 500kg
T41600	3-Way	WLL 1000kg
T41700	4-Way	WLL 1000kg
T41800	5-Way	WLL 1000kg

Supplied with a Swivel Shackle and Thimbles



Flyrail Cleats

	WLL	D1	D2	D3	D4	D5	D6
T41900	200kg	440mm	60mm	47mm	12mm	135mm	70mm
T41902	200kg	375mm	48mm	40mm	12mm	115mm	40mm
T41904	200kg	285mm	35mm	40mm	12mm	90mm	40mm

Rope & Wire

Pre-stretched black nylon cord. Suitable for use in Six Track systems, pulleys and general lashing. A matt finish improves grip and holds knots well.



Rope		
Pt No	Diameter	Breaking Load
T63780 (200m reel)	Ø8mm	2000kg

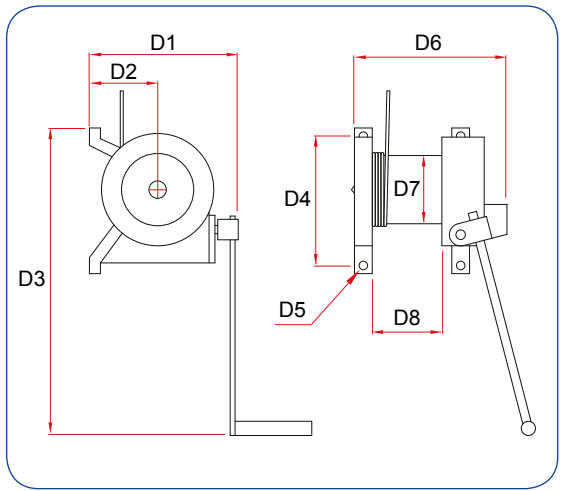
Galvanised and black wire rope for use in flying and static suspension systems. Construction is 7 x 7 for 1.5, 2, 3 & 4mm and 7 x 19 for 5, 6, 7 & 8mm. These are suitable for use with our range of gate eyes, barrel strainers, cable grips and thimbles.

Available as 100 metre drums.



Wire Rope - 100m Reels

Galvanised (silver)				Galvanised (black)			
Pt No	Diameter	kg/100m	WLL	Pt No	Diameter	kg/100m	WLL
T40500	Ø2mm	1.52kg	60kg	T405001	Ø2mm	1.52kg	60kg
T40000	Ø3mm	3.34kg	100kg	T400001	Ø3mm	3.34kg	100kg
T40100	Ø4mm	5.96kg	175kg	T401001	Ø4mm	5.96kg	175kg
T40200	Ø5mm	9.29kg	275kg	T402001	Ø5mm	9.29kg	275kg
T40300	Ø6mm	13.4kg	400kg	T403001	Ø6mm	13.4kg	400kg
T40400	Ø7mm	18.2kg	525kg	T404001	Ø7mm	18.2kg	525kg
T40600	Ø8mm	21.5kg	650kg	T406001	Ø8mm	21.5kg	650kg



Worm Gear Winches

	T41850	T41860	T41870
WLL (First Layer)	250kg	500kg	750kg
WLL (Last Layer)	210kg	425kg	624kg
Layers	2	3	4
Wire Rope diameter	Ø5mm	Ø6mm	Ø8mm
Rope Capacity (First Layer)	4.8m	7.9m	9.2m
Rope Capacity Total	11.3m	29.1m	49m
Ratio:	16:1	16:1	25:1
Lift per Turn	20mm	26mm	20mm
Required Effort	9.2kg	14.5kg	16kg
Duty Class to DIN 15020	1Bm	1Bm	1Bm
kg	12.5kg	21kg	42kg

Dimensions

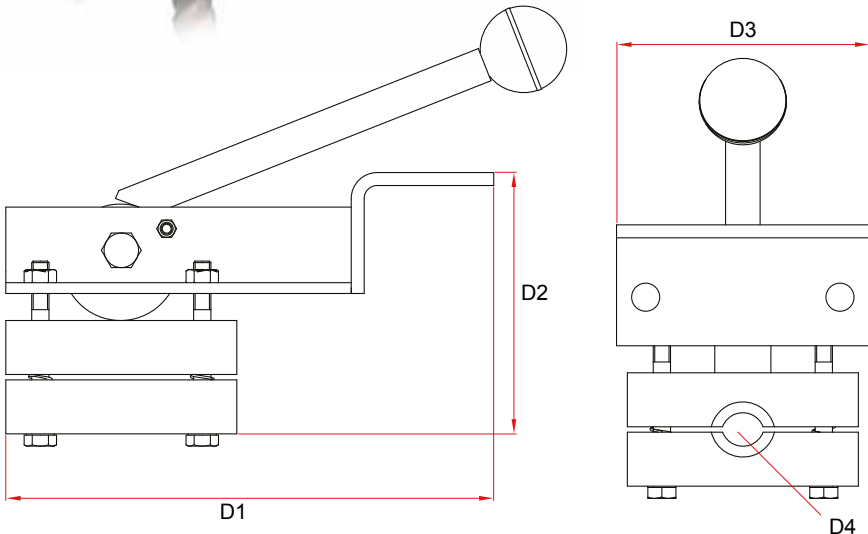
	T41850	T41860	T41870
D1	205mm	241mm	335mm
D2	137mm	190mm	243mm
D3	500mm	690mm	770mm
D4	205mm	250mm	330mm
D5	12mm	14mm	20mm
D6	219mm	282mm	350mm
D7	96mm	125mm	150mm
D8	94mm	138mm	182mm

Lever Rope Brake

A heavy duty rope brake, made from steel with machined aluminium friction plates shaped to protect the rope and with a sprung loaded handle to ensure free running of counter weight flying lines. The friction plates are adjustable to allow for differences in rope diameter.

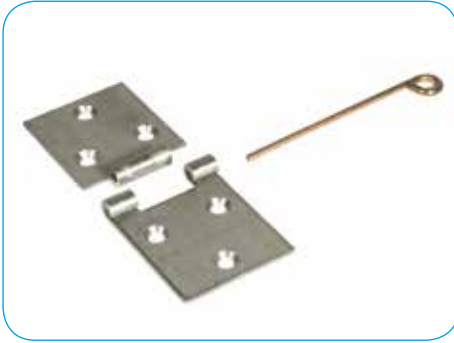


T67300	
D1	226mm
D2	121mm
D3	117mm
D4	To suit Ø22mm rope
kg	4kg



Scenery Fixings

The Doughty range of Scenery Fixings is a large selection of hinges and brackets for the construction of stage scenery and back drops.



Loose Pin Hinges

T61700	1.5" (38mm)
T61800	1.75" (44mm)
T61900	2" (50mm)
T62100	Loose pins (pack of 100)

Loose Pin Hinges are not supplied with pins, which should be ordered separately.



Lift Off Hinges

T62500	Left hand 3" (75mm)
T62501	Right hand 3" (75mm)



Backflap Hinges

T62700	1.5" (38mm)
T62800	1.75" (44mm)
T62900	2" (50mm)
T63000	3" (75mm)

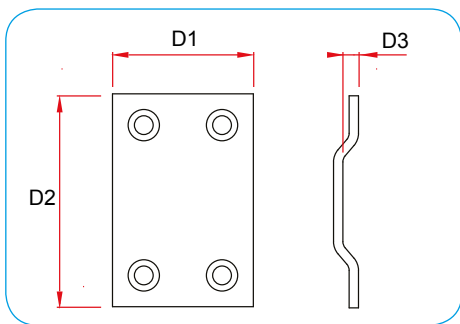


Butt Hinges

T63400	2" (50mm)
T63500	2.5" (63.5mm)
T63600	3" (75mm)
T63700	4" (100mm)

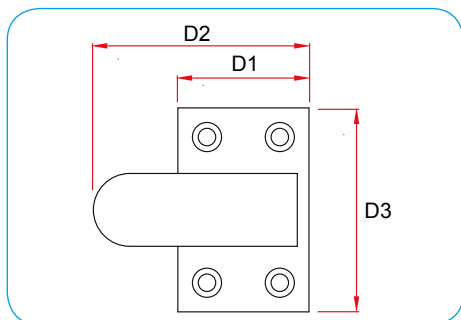


Ø6mm Fixing Holes



Pelmet Socket

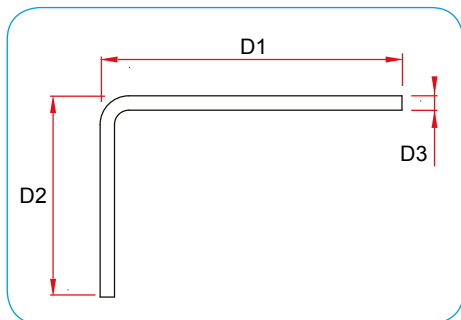
	WLL	D1	D2	D3	kg
T66300	N/A	45mm	68mm	5mm	0.05kg



Ø6mm Fixing Holes

Pelmet Clip

	WLL	D1	D2	D3	kg
T66200	N/A	45mm	74mm	70mm	0.05kg



Ø6mm Fixing Holes

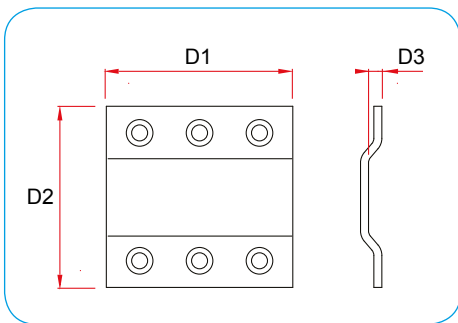
Pelmet 90° Bracket

	WLL	D1	D2	D3	kg
T66100	N/A	63mm	42mm	3mm	0.18kg

Pelmet clips and sockets provide a quick means of mounting pictures and various other props to scenery.

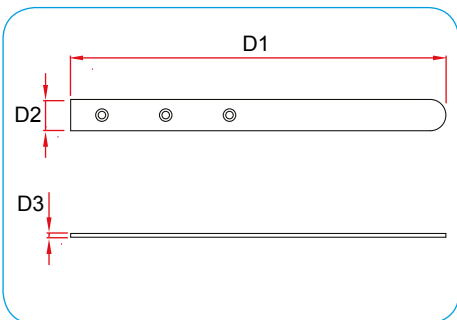


Ø6mm Fixing Holes



Extended Socket

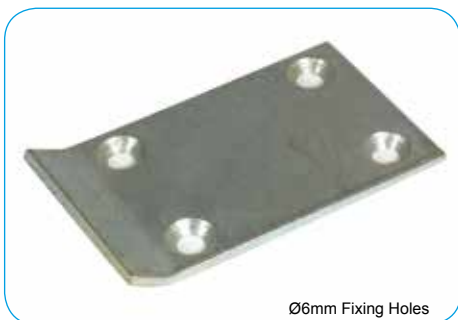
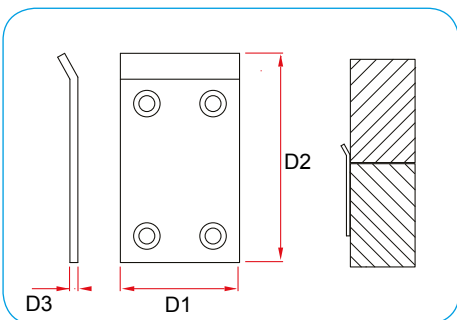
	WLL	D1	D2	D3	kg
T66500	N/A	70mm	68mm	5mm	0.18kg



Ø6mm Fixing Holes

Extended Plug

	WLL	D1	D2	D3	kg
T66400	N/A	300mm	25mm	3mm	0.22kg

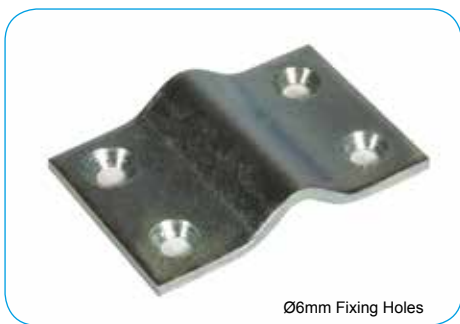
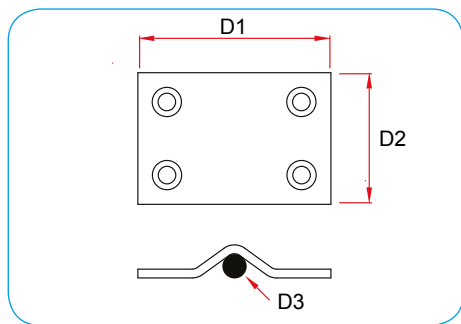


Ø6mm Fixing Holes

Stop Plate

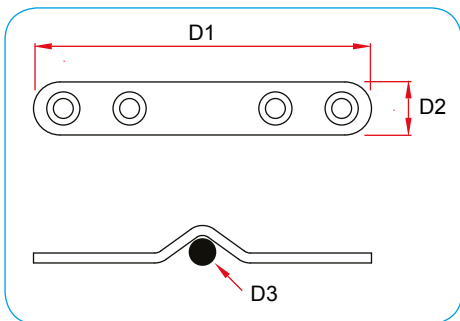
	WLL	D1	D2	D3	kg
T65000	N/A	45mm	80mm	3mm	0.09kg

Extension fittings are used to join two scenery panels edge to edge.



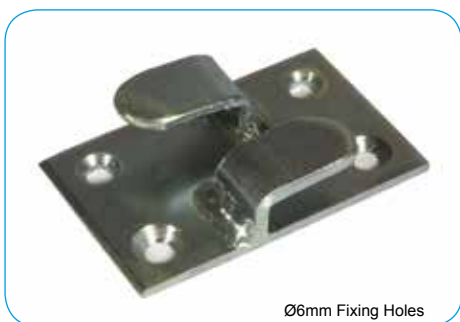
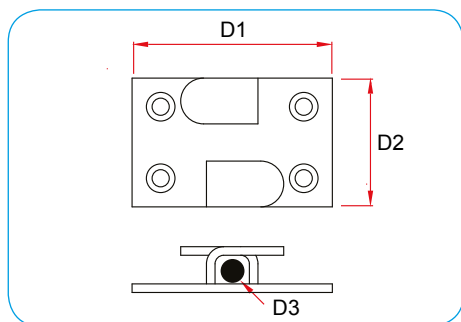
Grummet End Fixing

	WLL	D1	D2	D3	kg
T65400	N/A	66mm	45mm	8mm	0.07kg



Grummet Standard

	WLL	D1	D2	D3	kg
T65300	N/A	100mm	16mm	>8mm	0.04kg



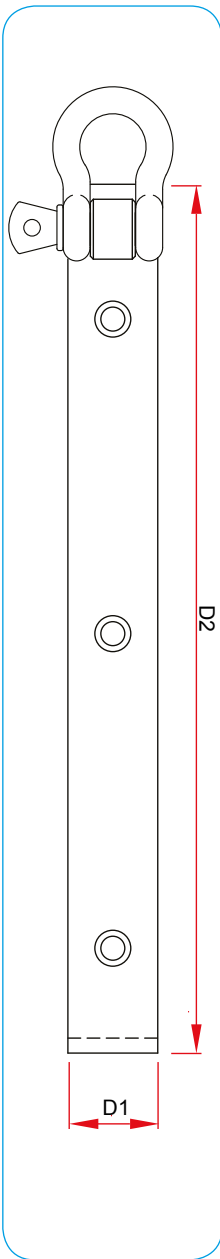
Grummet Quick Release

	WLL	D1	D2	D3	kg
T65500	N/A	70mm	45mm	8mm	0.10kg

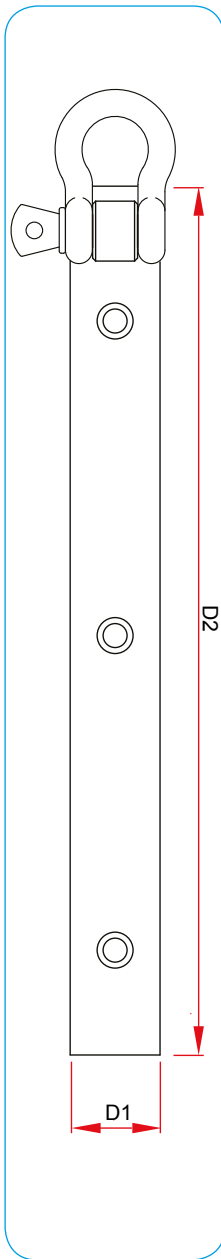
Grummetts are generally used to guide flying wires and lines behind scenery panels.



Ø6mm Fixing Holes



Ø6mm Fixing Holes



Long Flying Iron Lipped

	D1	D2
--	----	----

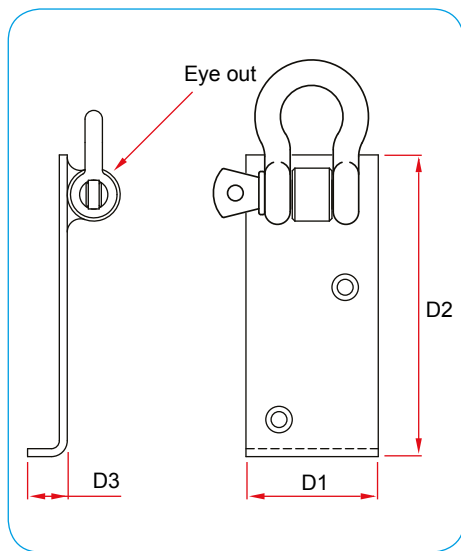
T64200	30mm	300mm
--------	------	-------

Long Flying Iron Flat

	D1	D2
--	----	----

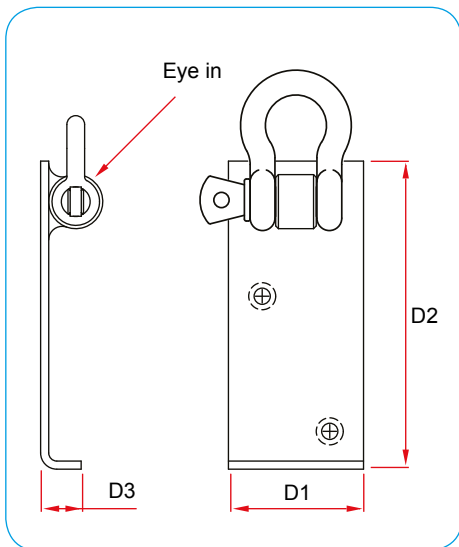
T64300	30mm	300mm
--------	------	-------

Manufactured from mild steel and zinc plated, Flying Irons are used to fly scenery panels. Supplied with an M8 Bow Shackle.



Short Hanging Iron (eye out)

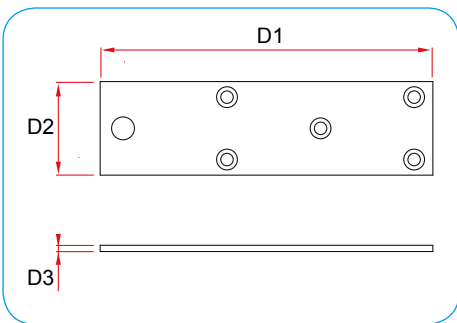
	WLL	D1	D2	D3	kg
T64000	N/A	50mm	115mm	15mm	0.22kg



Short Hanging Iron (eye in)

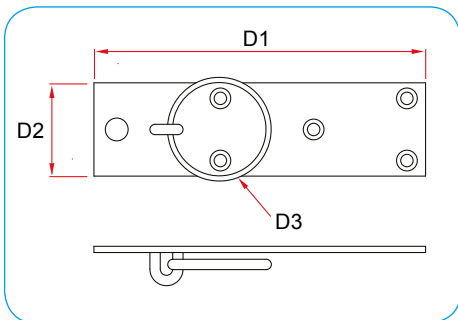
	WLL	D1	D2	D3	kg
T64100	N/A	50mm	115mm	15mm	0.22kg

Manufactured from mild steel and zinc plated, Hanging Irons are used to fly scenery panels. Supplied with an M8 Bow Shackle.



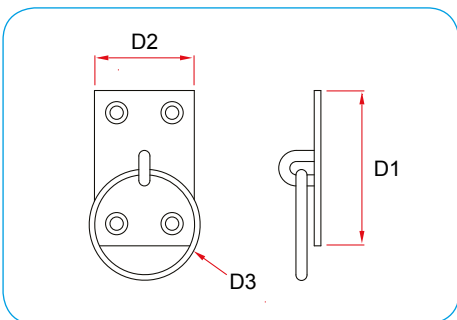
Ceiling Plate

WLL	D1	D2	D3	kg
T65600	N/A	160 mm	45 mm	3 mm



Ceiling Plate with Ring

WLL	D1	D2	D3	kg
T65700	N/A	160mm	45mm	Ø45mm



Ring Plate

WLL	D1	D2	D3	kg
T64900	N/A	70mm	45mm	Ø45mm



Ø6mm Fixing Holes

Stud Plate

T64600

M10 x 50 Stud



Ø6mm Fixing Holes

Peg Plate

T64700

M10 x 50 Stud



Ø6mm Fixing Holes

Boss Plate

T64800

M10 Threaded Boss



Top Batten Clip

T67000

Fits up to 4" x 2" battens



Coach Eye

T59000

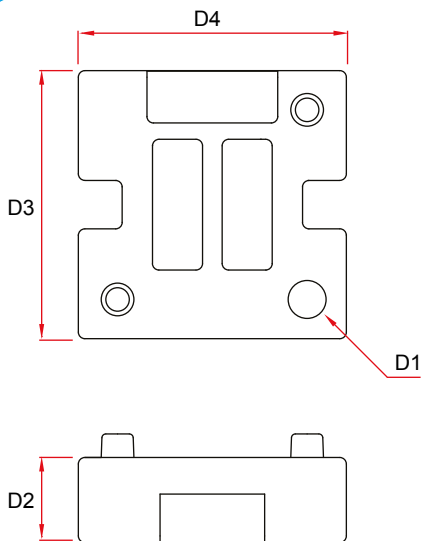


Stage Screw

T60900

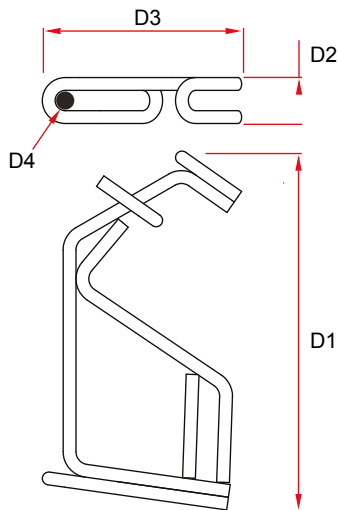


Doughty Knob to suit sold separately
Order Pt No. S0141



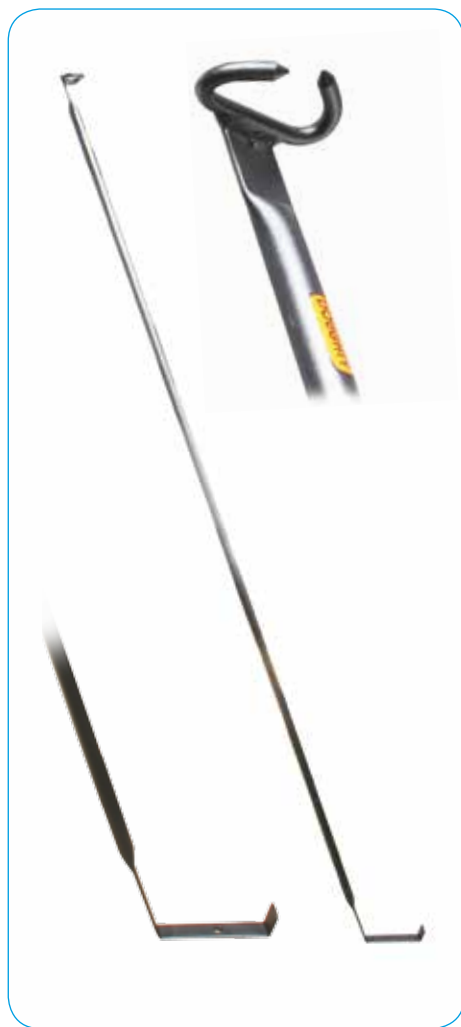
Brace Weight

	D1	D2	D3	D4	kg
T61100	29mm	65mm	205mm	205mm	12.5kg



Rope Brake

	D1	D2	D3	D4	kg
T67200	336mm	43mm	187mm	Ø19mm	12.5kg



Fixed Stage Brace

T60600	2.0m	1.77kg
--------	------	--------

An inexpensive lightweight all steel scenery brace.



Extending Stage Brace

T60000	1 - 2m	2.00kg
T60100	1.5 - 3m	2.86kg
T60200	2 - 4m	3.73kg

Lightweight extending steel braces with a powder painted outer finish and a zinc plated inner.

Swivel Arms

A range of 360° swivel arm fittings to position leg/wing curtains or light scenery at any angle, traditionally used to aid masking of wing space on stage from audience sight lines.



Swivel Arm Ceiling Mounted

T84500	Fixes directly to a solid surface
T84501	Supplied with Ø25mm x 2m tube



Swivel Arm Barrel Mounted

T84505	Supplied with 48mm "U" bolts
T84506	Supplied with Ø25mm x 2m tube



Swivel Arm Girder Mounted

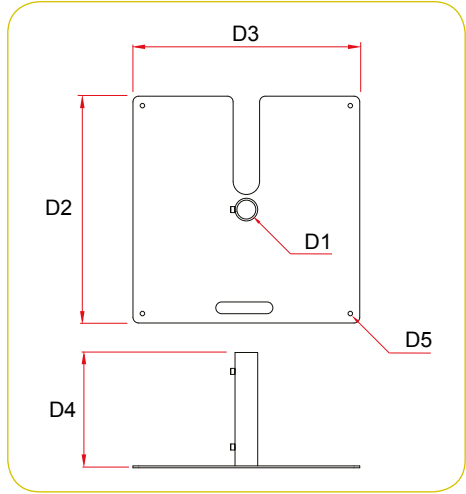
T84510	to fit Girders 4" - 6"
T84511	Supplied with Ø25mm x 2m tube



Studio Rail Swivel Arm

T84515	Supplied with 6 wheel carriage
T84516	Supplied with Ø25mm x 2m tube

Floor & Wall Plates



Tank Trap (fixed base)

	D1	D2	D3	D4	D5	kg
T54250	48mm	600mm	600mm	305mm	12mm	16.14kg

To suit 48mm aluminium barrel or galvanised scaffold poles. Supplied with cut out for compact storage/stacking.



Tank Trap (two wheels)

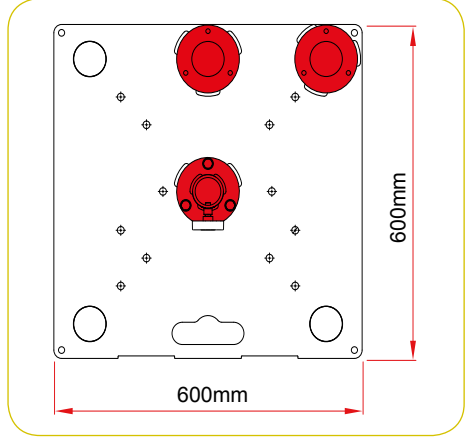
T54255	Dimensions are as per the Tank Trap (T54250)					
--------	--	--	--	--	--	--

Fitted with two wheels this tank trap can be easily manoeuvred by tilting back and wheeling into position.

3 Position Tank Traps

The 3 position Tank Trap is a multipurpose floor plate to suit 48mm barrel and truss.

Fitted with a removable receiver barrel may be fitted in the centre, at the edge or in the corner of the plate.



3 Position Tank Trap

T54265

3 Position Tank Trap

T54266

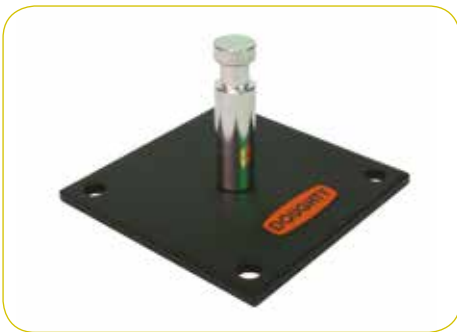
Tank Trap Trolley



With the receiver removed the plate may be inverted and used as a base plate to suit various sizes of truss. Does not include truss connectors or fixings to mount truss to the plate.

The Tank Trap Trolley is a compact trolley to transport and store ten 3 Position Tank Traps.

Receivers slot in between the Tank Traps, and are captivated by a retaining plate.



Baby Pin Wall Plate

Baby Receiver Wall Plate

G1405 0.46kg

G1128 0.37kg

A 100mm x 100mm plate with 16mm spigot and Ø8mm corner fixing holes.

A 100mm x 100mm plate with a 16mm receiver and Ø8mm corner fixing holes.



Turtle Plate

Junior Wall Plate

T54200 2.40kg

G1129 0.85kg

A 230mm x 230mm turtle plate with a 29mm receiver and Ø6mm corner fixing holes.

A 120mm x 120mm plate with a 29mm receiver and Ø8mm corner fixing holes.



48mm Receiver

	Size (D1)	Fixing (D2)	kg
T50820	Ø48mm	M10	0.45kg
T50825	Ø48mm	M12	0.45kg
T50830	Ø51mm	M10	0.45kg
T50835	Ø51mm	M12	0.45kg

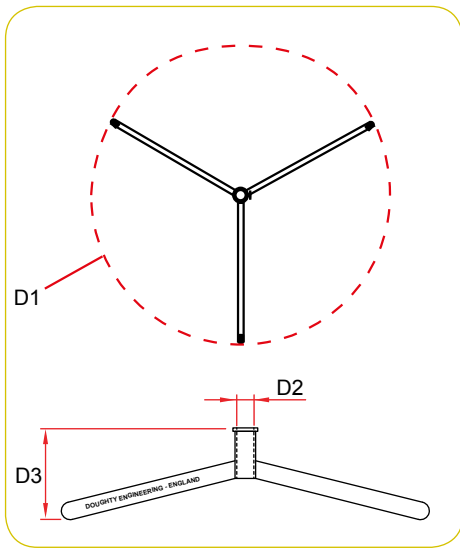


Floor Lighting Plates

T54150

1.28kg

A 250mm x 250mm floor plate to suit a Hook Clamp (T20100).



Nipper Stand

	D1	D2	D3	WLL	kg
T54100	Ø600mm	Ø29mm	165mm	10 kg without extension	1.28kg

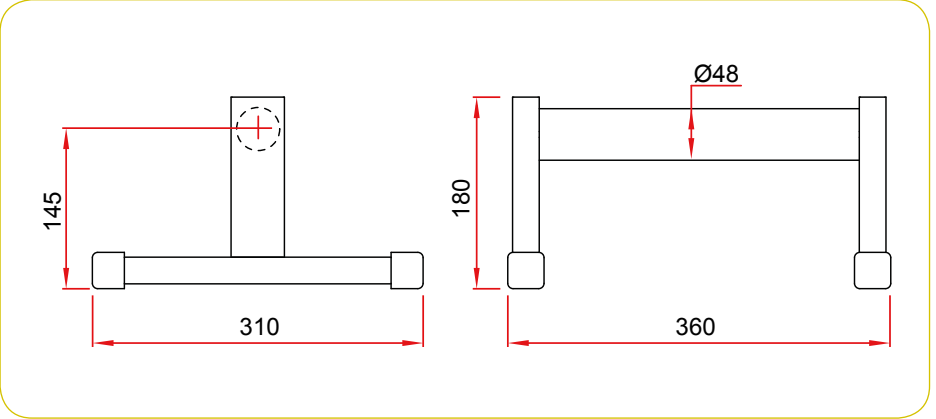
A low folding cast aluminium stand with 29mm receiver.

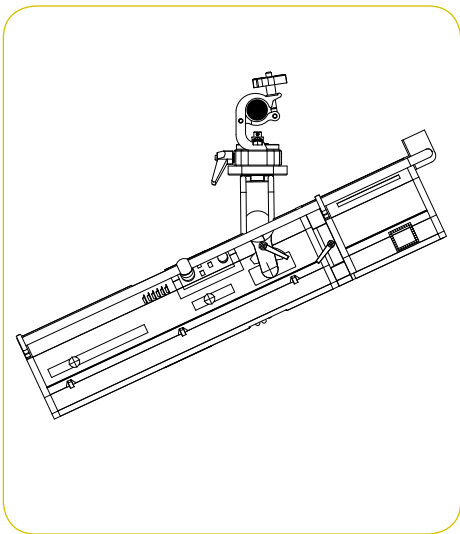


Floor Stand

T54155	Ø48mm	50kg	4.20kg
--------	-------	------	--------

A simple floor stand which allows a moving head to be used at floor level without removing any clamps/couplers attached.





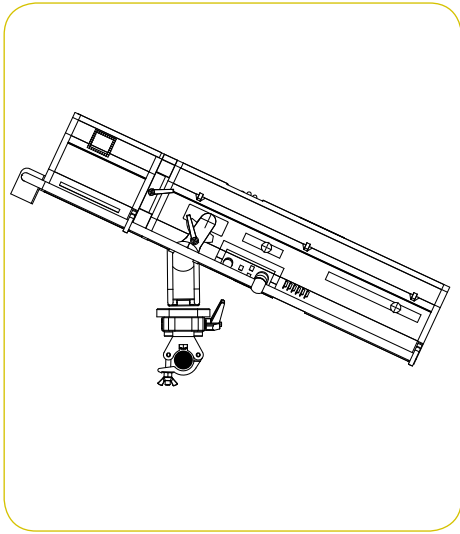
Followspot Rail Mount

	D1	WLL	kg
T54410	Ø48-51mm	50kg	4.20kg

An assembly designed to allow a followspot to be mounted to a rail. This assembly enables full 360° of smooth rotation.

To be used for suspension only.

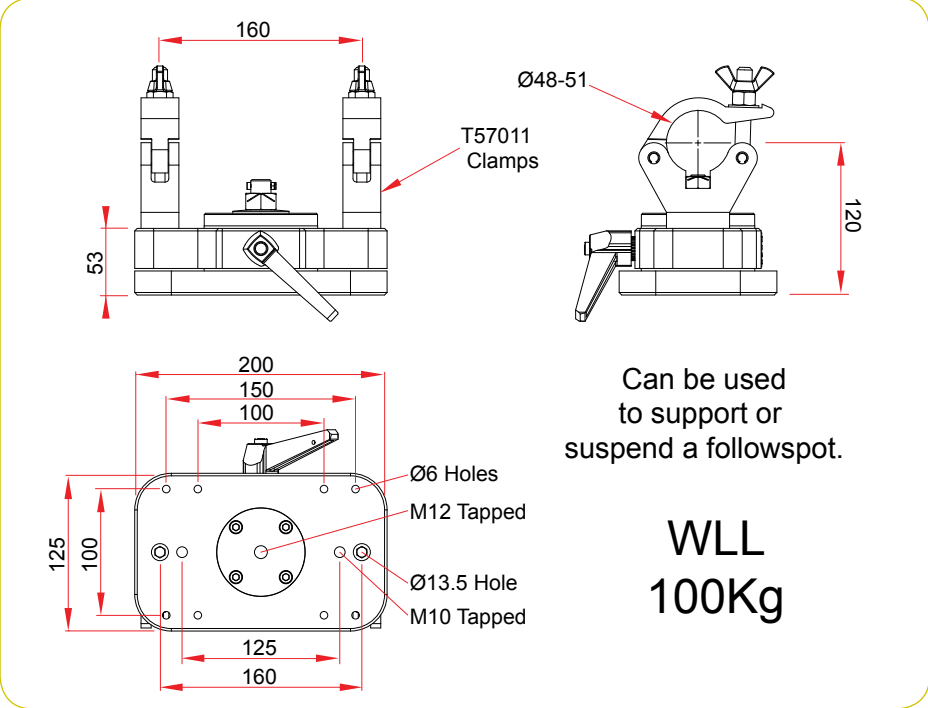
WLL 50Kg



Followspot Rail Mount

	D1	WLL	kg
T54420	Ø48-51mm	100kg	4.20kg

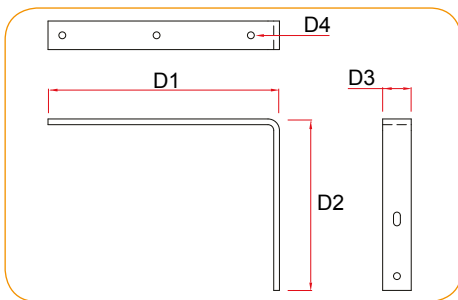
An assembly designed to allow a followspot to be mounted to a rail. This assembly enables full 360° of smooth rotation.



Wall Brackets

The Wall Bracket range is a comprehensive range of steel bracketry designed primarily to be wall mounted, allowing fixtures and tubes to be suspended from a vertical surface.

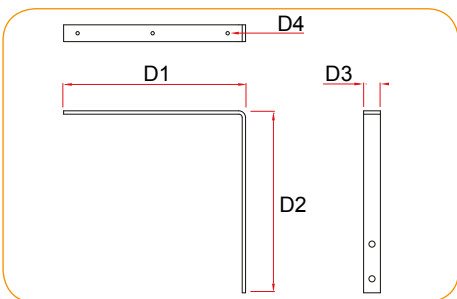




Wall Bracket (Heavy Duty)

WLL	D1	D2	D3	D4	kg	
T33900	20kg	405mm	300mm	50mm	Ø12mm	2.60kg

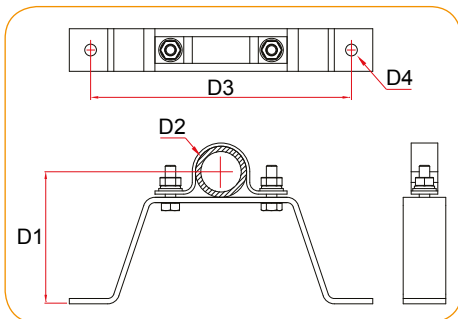
Accepts T30800 Saddle Clamp.



Wall Bracket (Light Duty)

WLL	D1	D2	D3	D4	kg	
T33800	3kg	325mm	325mm	30mm	Ø6mm	0.85kg

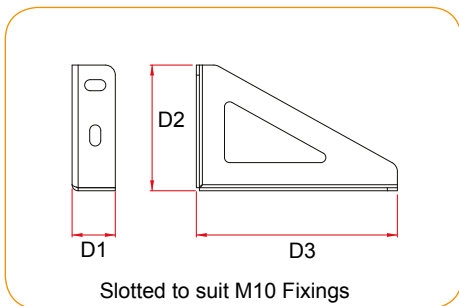
Accepts T56600 48mm "U" bolt.



Pipe to Wall Brackets

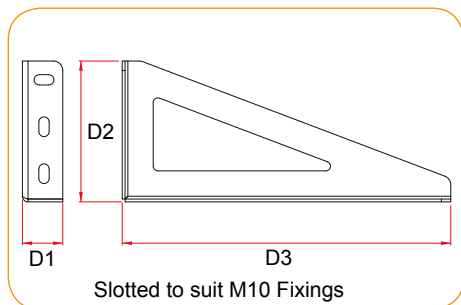
WLL	D1	D2	D3	D4	kg	
T33300	30kg	325mm	Ø48mm	350mm	Ø11mm	1.48kg
T33310	60kg	125mm	Ø48mm	245mm	Ø11mm	0.83kg

The Slotted Wall Bracket range has been designed to be compatible with the slots featured in unistrut channels.



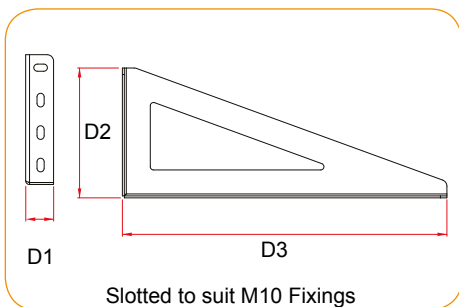
Studio Rail Slotted Wall Bracket 200mm (single rail)

	WLL	D1	D2	D3	kg
T84105	25kg	43mm	125mm	200mm	0.52kg



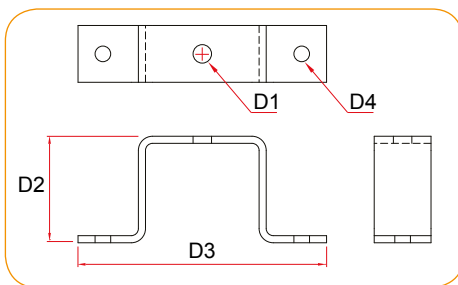
Studio Rail Slotted Wall Bracket 350mm (double rail)

	WLL	D1	D2	D3	kg
T84106	25kg	43mm	150mm	350mm	0.90kg



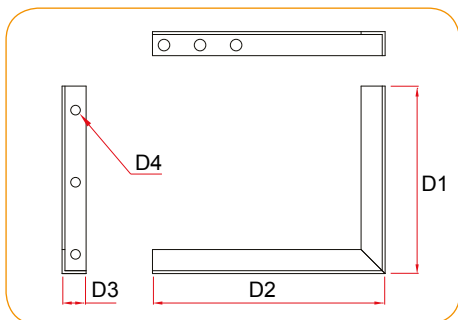
Studio Rail Slotted Wall Bracket 500mm (triple rail)

	WLL	D1	D2	D3	kg
T84107	25kg	43mm	200mm	500mm	1.50kg



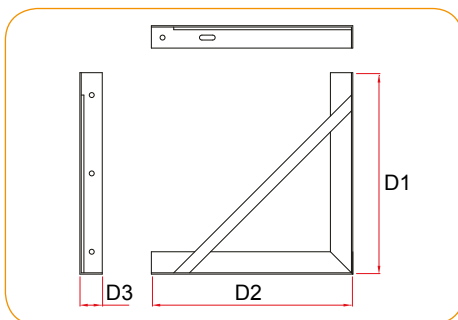
Ceiling Saddle

	WLL	D1	D2	D3	D4	kg
T33700 - Silver	160kg	13mm	75mm	175mm	Ø11mm	0.44kg
T3370001 - Black	160kg	13mm	75mm	175mm	Ø11mm	0.44kg



Face Fixing Bracket

	WLL	D1	D2	D3	D4	kg
T34100	15kg	195mm	242mm	25mm	Ø10mm	0.43kg



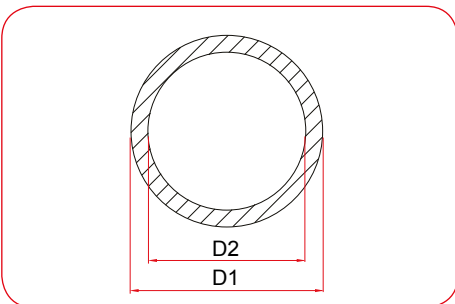
Wall Bracket (angle iron)

	WLL	D1	D2	D3	D4	kg
T34000	30kg	450mm	450mm	50mm	Ø11mm	2.72kg

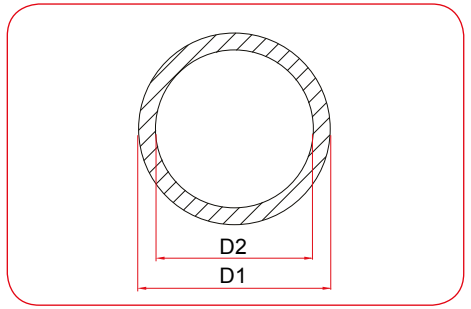
Accepts T30800 Saddle Clamp.

Pipes & Tubes

A selection of aluminium and galvanised tubes supplied in full or cut lengths. Specified lengths are available on request.

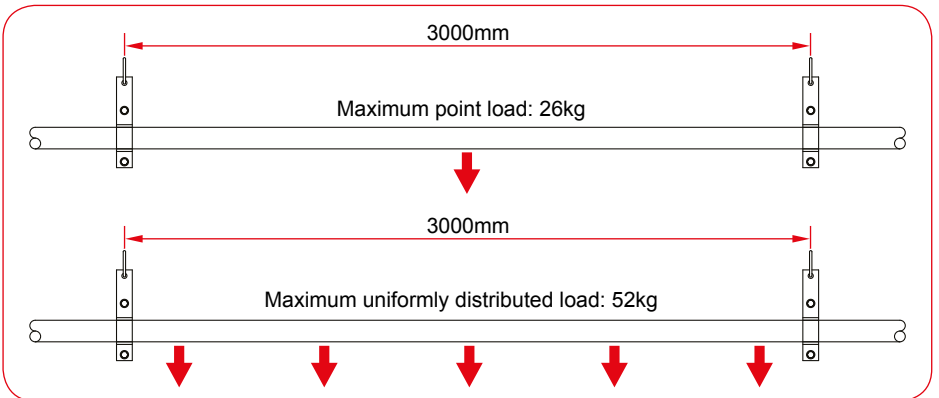
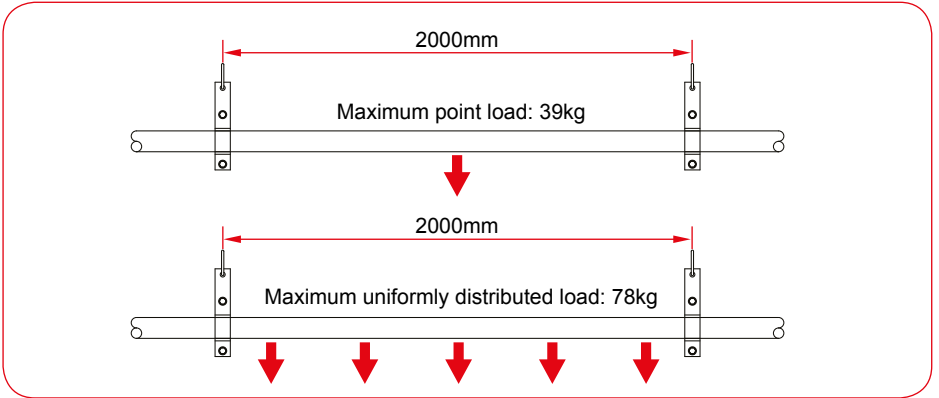


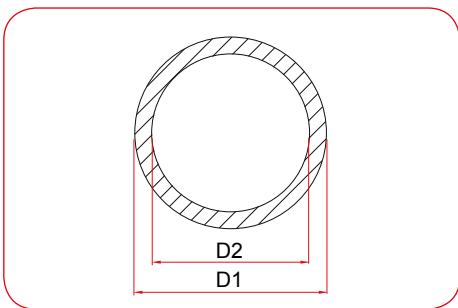
Aluminium Barrel				
	Length	D1	D2	kg
T24000	6m	48.3mm	39.8mm	9.76kg
T24004	4m	48.3mm	39.8mm	7.00kg
T24003	3m	48.3mm	39.8mm	4.8kg
T24002	2m	48.3mm	39.8mm	3.2kg
T24001	1m	48.3mm	39.8mm	1.6kg
T24050	2 x 3m with Joiner			



Aluminium Barrel (black anodised)

	Length	D1	D2	kg
T2400001	6m	48.3mm	39.8mm	9.76kg
T2400401	4m	48.3mm	39.8mm	7.00kg
T2400301	3m	48.3mm	39.8mm	4.80kg
T2400201	2m	48.3mm	39.8mm	3.20kg
T2400101	1m	48.3mm	39.8mm	1.60kg
T2405001	2 x 3m with Joiner			

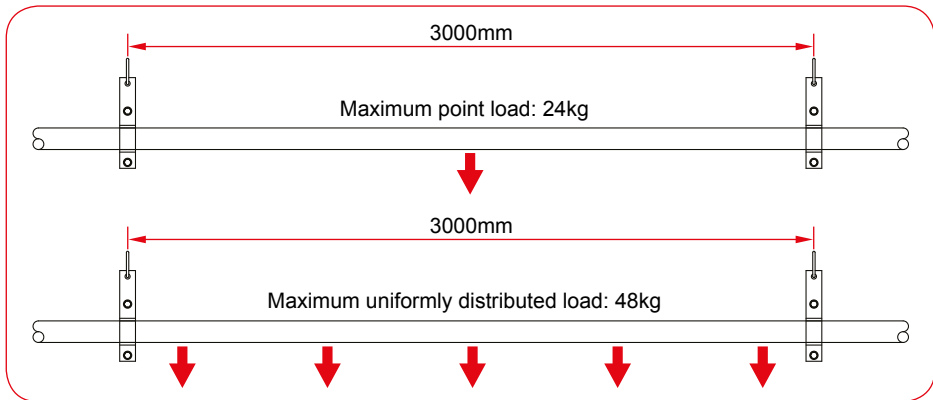
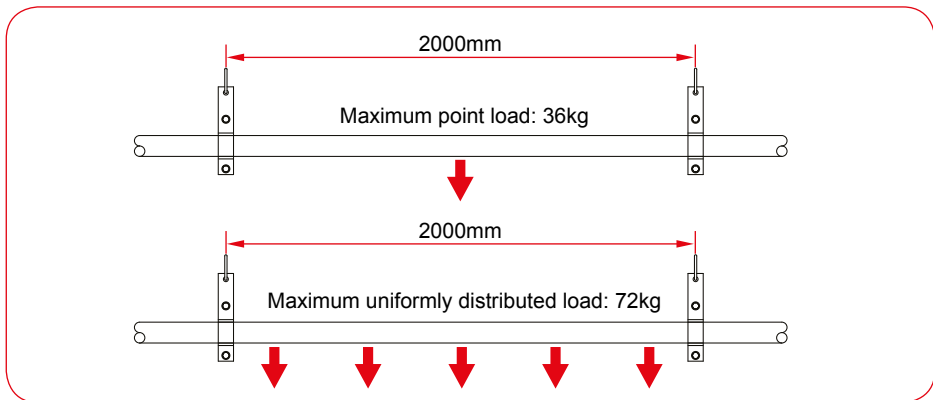




Galvanised Steel Tube

	Length	D1	D2	kg
T24010	6m	48.3mm	40.3mm	26.7kg
T24015	2 x 3m with Joiner			

Other sizes available on request.



Scaffold Clamps

Suitable for 48mm diameter steel or aluminium tube, these clamps are useful for quickly creating grids, frames and towers for lighting or scenery from standard tube.

Supplied with an electroplate finish.

These clamps are **not** recommended for permanent installs.



Scaffold Swivel Coupler (pressed steel)

T24800

Ø48mm

0.90kg



Scaffold Double Coupler (pressed steel)

T24900

Ø48mm

1.02kg



Drop Forged Swivel Coupler

T24801

Ø48mm

1.18kg



Drop Forged Double Coupler

T24901

Ø48mm

1.12kg



Tube Clip Crossover Joint

T25150	Ø48mm	0.37kg
--------	-------	--------



Scaffold Parallel Coupler

T24905	Ø48mm	0.77kg
--------	-------	--------



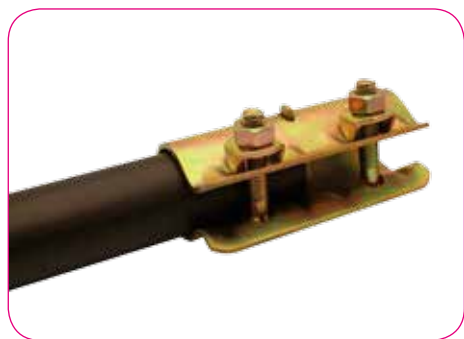
Pipe to Pipe Coupler

T30100	Ø48mm
T30101	Ø38mm



Scaffold Solid Tube Joiner

T25108	200mm Lg	Ø48mm	2.64kg
T2510801 - Black	200mm Lg	Ø48mm	2.64kg



Scaffold Sleeve Coupler

T25000	Ø48mm	1.00kg
--------	-------	--------



Scaffold Joint Pin

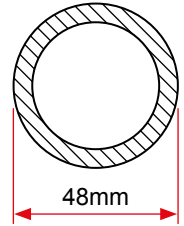
T25100	Ø48mm	0.85kg
--------	-------	--------

Speedrail®

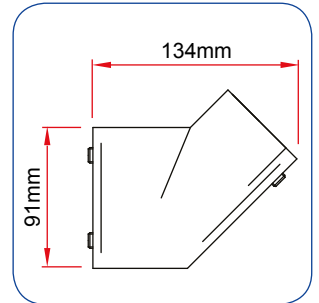
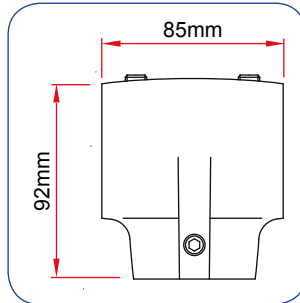
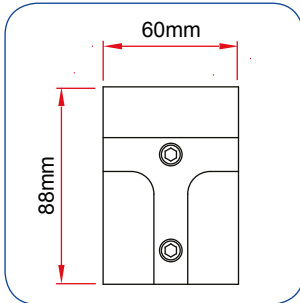
Speedrail is a range of magnesium alloy pipe fittings which are used to create handrails, guards and walkways etc.

Main features:

- High corrosion resistance
- Up to 70% lighter than iron fittings
- 100% salvageable & reusable
- Comparable strength to iron fittings
- All fittings shown here are to suit 48mm tube. Other sizes are available, please contact our technical sales team.



Please note that these are a cast item and as such any dimensions stated may vary slightly from batch to batch, therefore should be used for reference purposes only.



Short Tee (slimline)

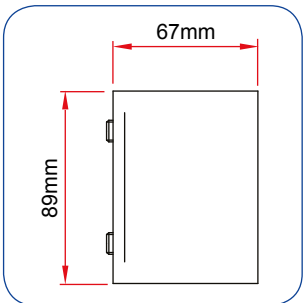
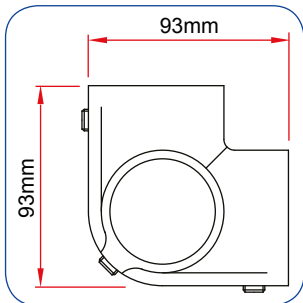
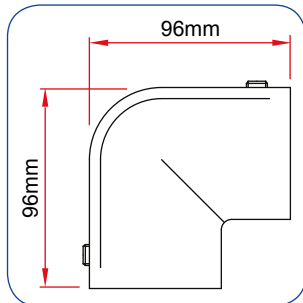
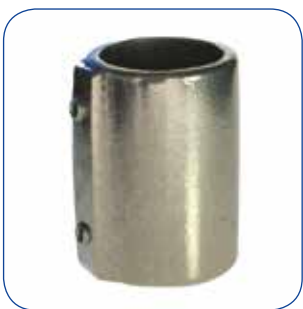
T194005E 0.18kg

Long Tee

T194005 0.29kg

Angle Tee 45°

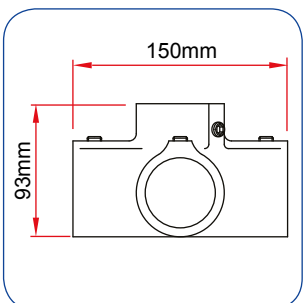
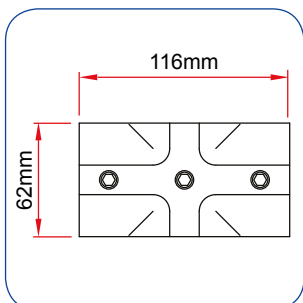
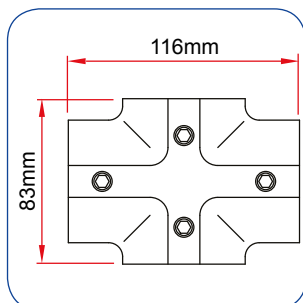
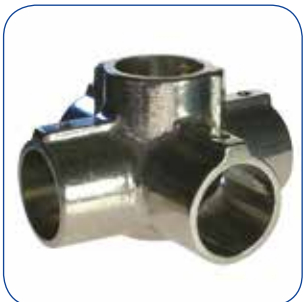
T194006 0.41kg



90° Elbow
T194003 0.28kg

3-Way 90° Elbow
T194009 0.33kg

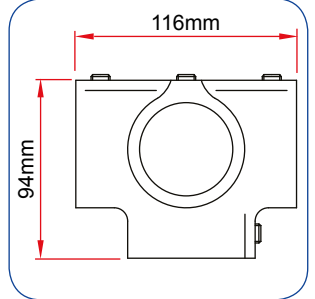
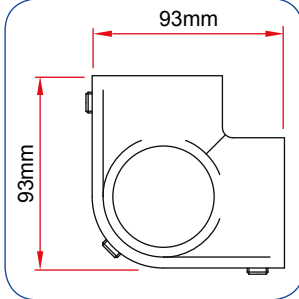
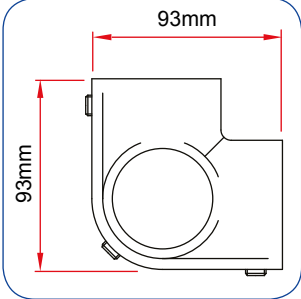
Sleeve Joint
T194070 0.26kg



Two Socket Cross
T194007 0.35kg

Two Socket Cross (slimline)
T194007E 0.28kg

4-Way Cross
T194106E 0.72kg



Corner (s) with Thru Tube

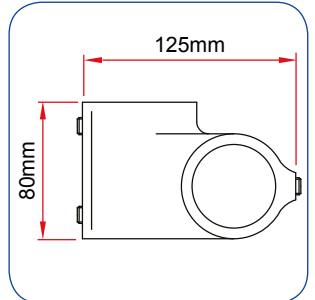
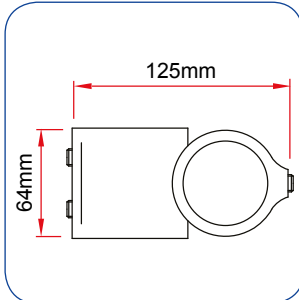
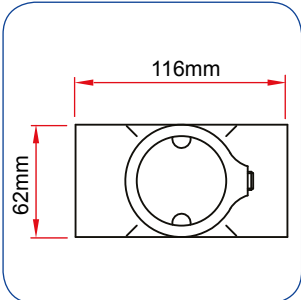
Corner with Thru Tube

Side Outlet Tee

T194011E 0.25kg

T194011 0.32kg

T194013 0.39kg



Side Outlet Tee (slimline)

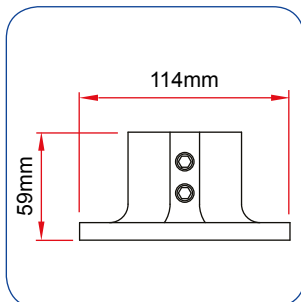
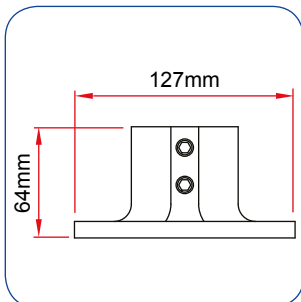
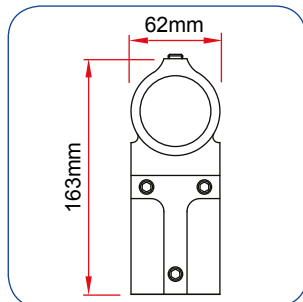
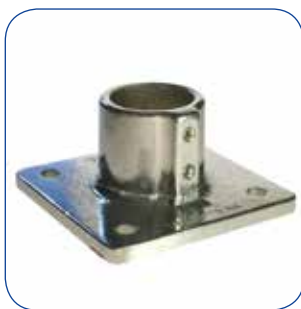
Short 90° Crossover

Long 90° Crossover

T194013E 0.31kg

T194012 0.37kg

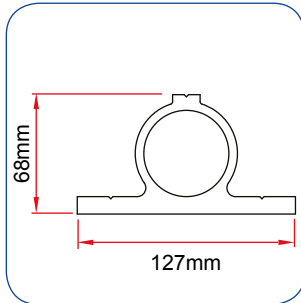
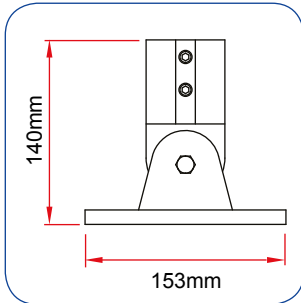
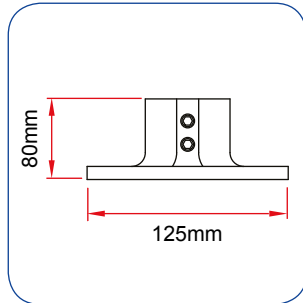
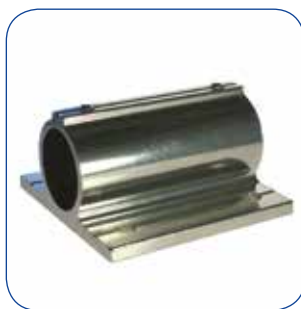
T194010 0.44kg



Combination Socket
T194104 0.55kg

Floor Flange
T194045 0.5kg

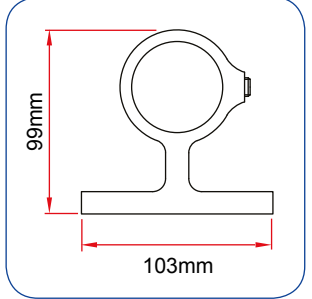
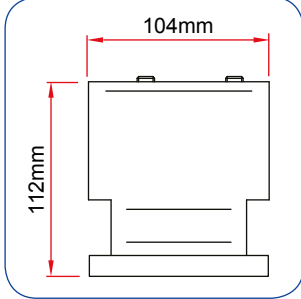
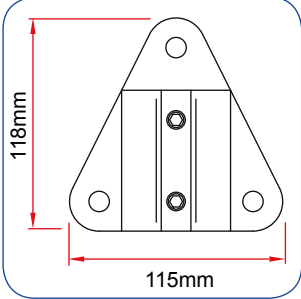
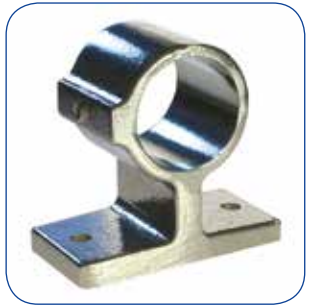
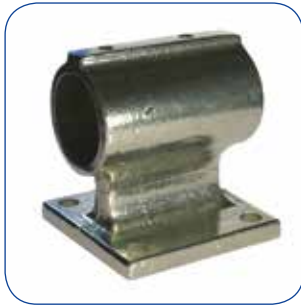
Base Flange
T194042 0.35kg



Flange
T194046 0.27kg

Adjustable Flange
T194046ADJ 0.82kg

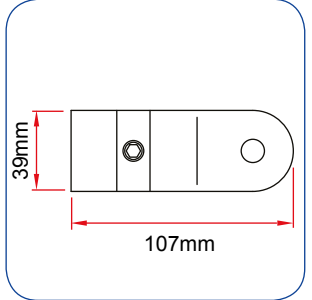
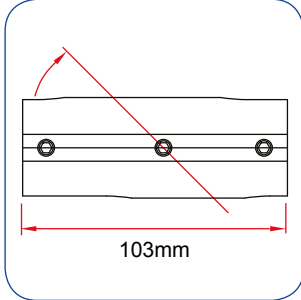
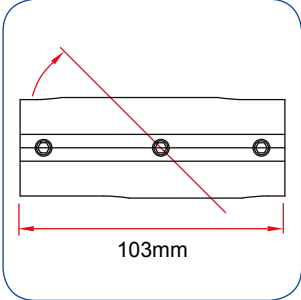
Wall Flange
T194595 0.7kg



Side Palm Fixing
T194050 0.35kg

Railing Side Support
T194054/3 0.79kg

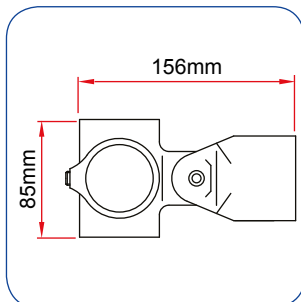
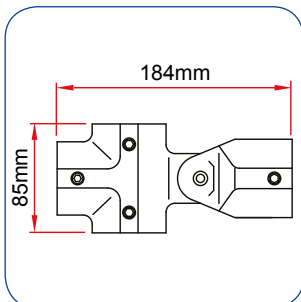
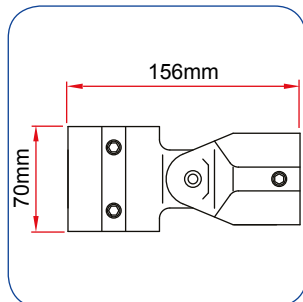
Support Bracket
T194055 0.30kg



Angled Cross 10° - 35°
T194021-35 0.44kg

Angled Cross 30° - 45°
T194021-45 0.25kg

Male Section of Swivel
T194017EM 0.14kg



Swivel Elbow / Tee Combo

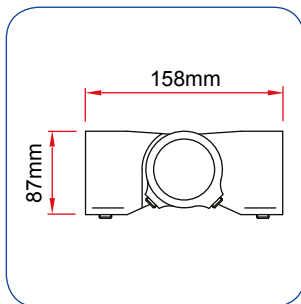
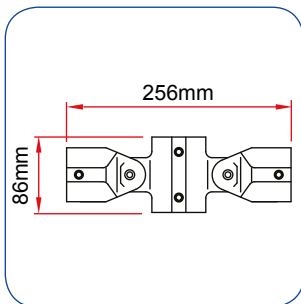
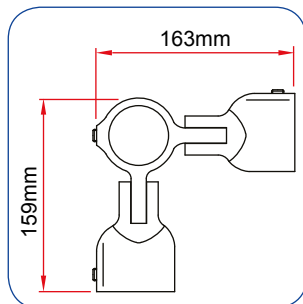
Swivel Tee Combination

Swivel Side Outlet Combo

T194017ADJ 0.49kg

T194023 0.52kg

T194025 0.52kg



Swivel Double-Side Combo

Double Swivel Combination

Short Swivel Tee

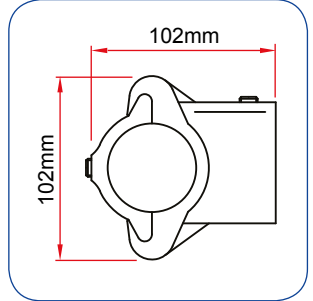
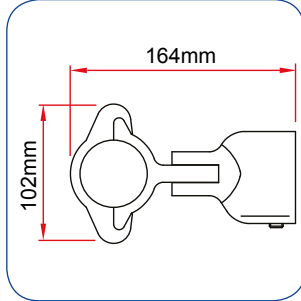
T194027 0.75kg

T194019 0.75kg

T194030C 0.54kg

Modular Fittings

Designed to fit existing structures.

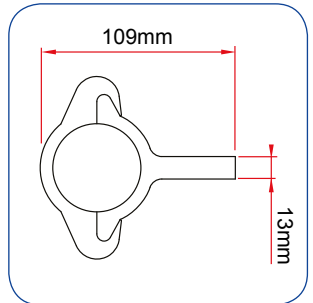
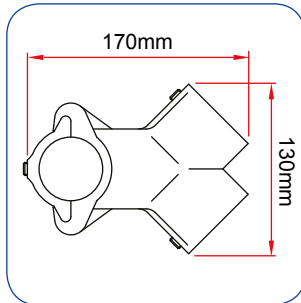
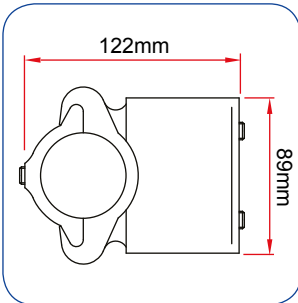


Modular Swivel Elbow / Tee

Modular Tee

T194017S 0.8kg

T194002S 0.53kg



Modular 90° Crossover

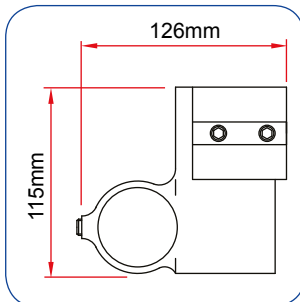
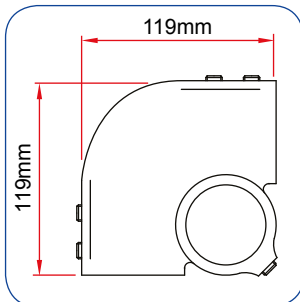
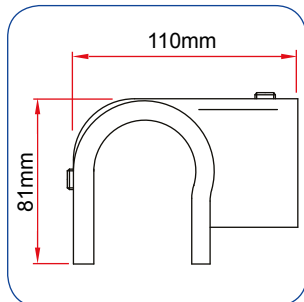
Modular Corner with Thru Tube

Modular Swivel / Tee Male

T194014S 0.64kg

T194022S 0.25kg

T194017SM 0.49kg



Clamp on Tee

T194016 0.35kg

Outside Corner

T194020 0.66kg

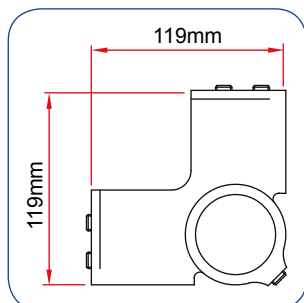
Rackmaster End Fitting

T194100 0.77kg



Allen Screw

T194120 Plated



Plastic Stop End

T13300 Grey
T13301 Black



3/16" Allen Key

T194122

Rackmaster Centre Fitting

T194102 0.48kg

Pipeclamps

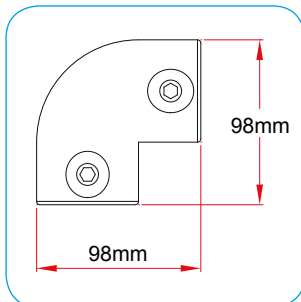
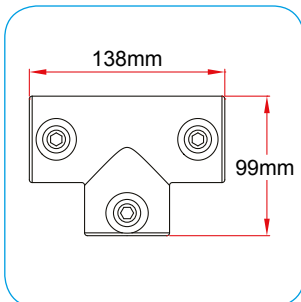
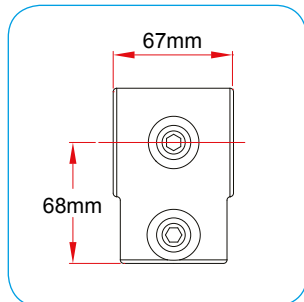
Pipeclamp fittings are malleable iron castings with a galvanised finish to BS729. Pipeclamp standard fittings are available to suit pipes with an external diameter from 33.7mm to 60mm.

Main features:

- High corrosion resistance
- 100% salvageable & reusable
- All fittings shown here are to suit 48mm tube. Other sizes are available, please contact our technical sales team.

Please note that these are a cast item and as such any dimensions stated may vary slightly from batch to batch, therefore should be used for reference purposes only.

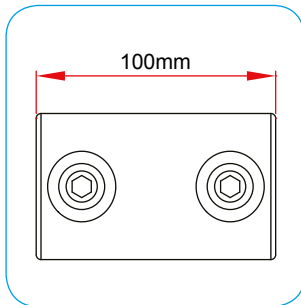
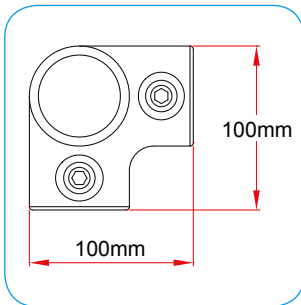
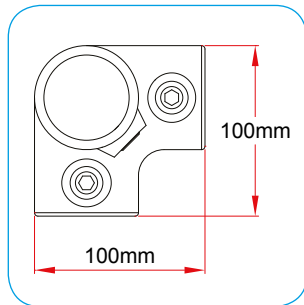




Short Tee
T10100 0.53kg

Long Tee
T10400 1.04kg

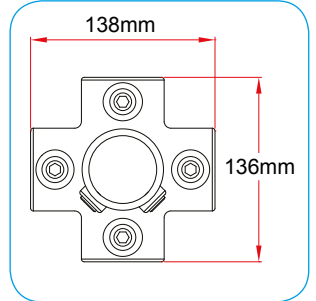
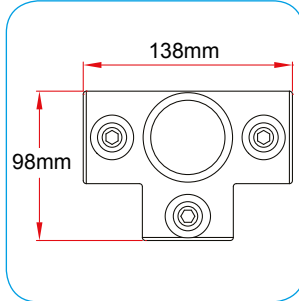
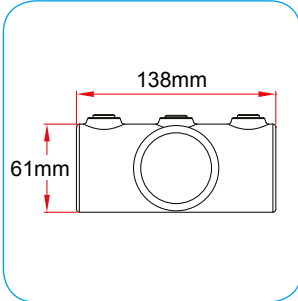
Elbow 90°
T12500 0.87kg



3-Way Elbow 90°
T12800 1.18kg

Corner with Thru Tube
T11600 0.92kg

Sleeve Joint
T14900 0.72kg



Two Socket Crossover

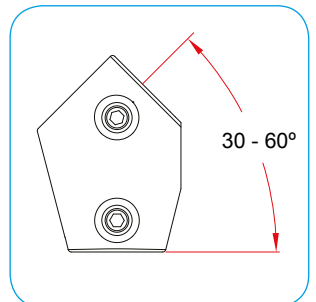
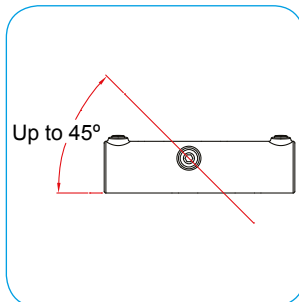
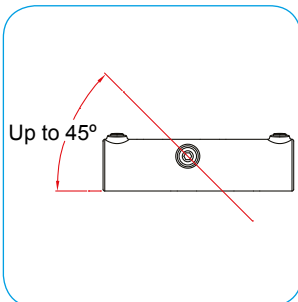
Side Outlet Tee

4-Way Cross

T11900 0.80kg

T17600 1.22kg

T15800 1.58kg



Angle Cross slopes to 45°

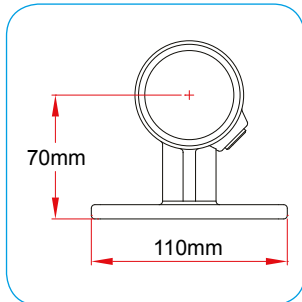
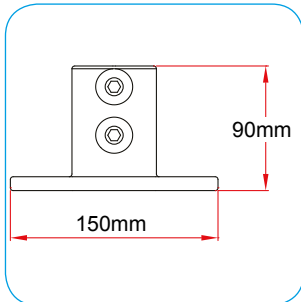
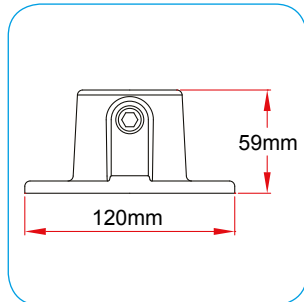
Angle Tee slopes to 45°

Adj Short Tee 30 - 60°

T12600 1.62kg

T12700 1.21kg

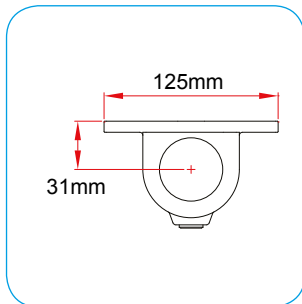
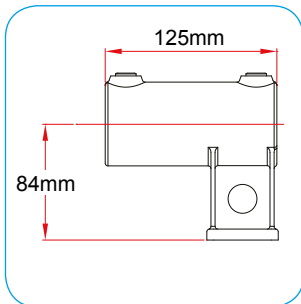
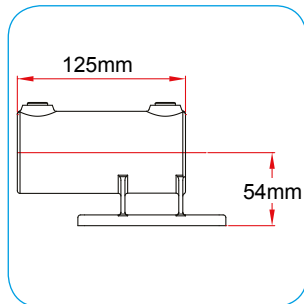
T12900 0.97kg



Base Flange
T13100 0.85kg

Railing Base Flange
T13200 1.27kg

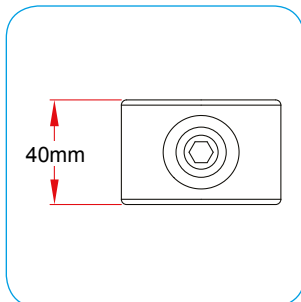
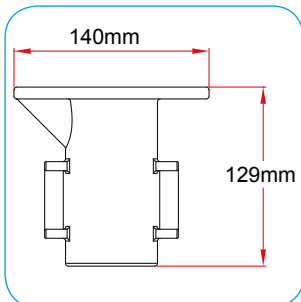
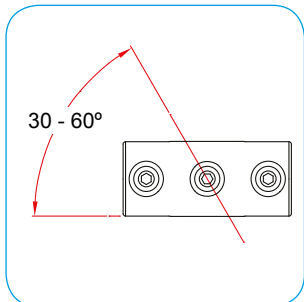
Handrail Bracket
T14300 0.63kg



Railing Side Support (V)
T14400 1.50kg

Railing Side Support (H)
T14500 1.02kg

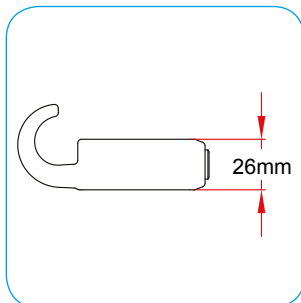
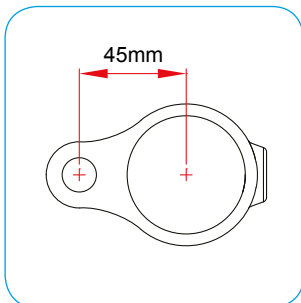
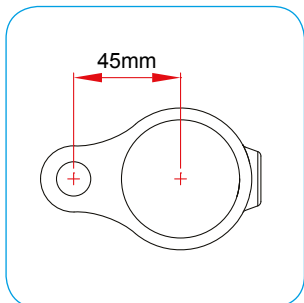
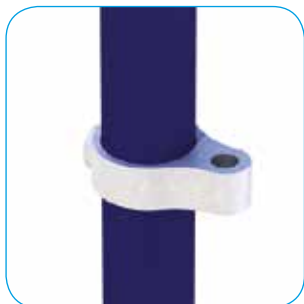
Side Palm Fixing
T14600 1.04kg



Adj Two Socket Cross
T13000 1.56kg

Ground Socket
T13400 1.95kg

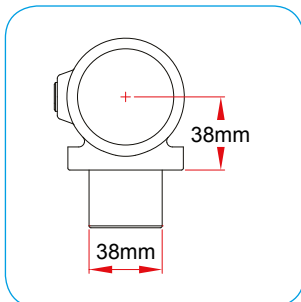
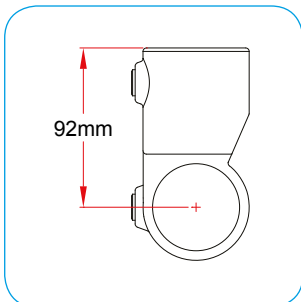
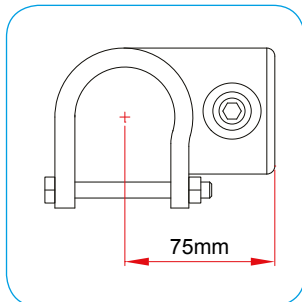
Locking Collar
T17900 0.20kg



Gate Eye
T13800 0.26kg

Gate Hinge
T14000 0.30kg

Hook
T18200 0.34kg



Clamp on Tee

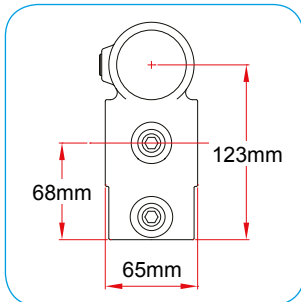
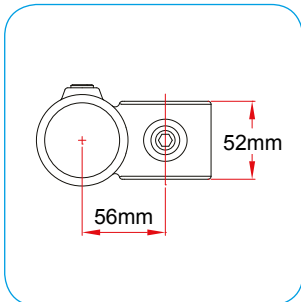
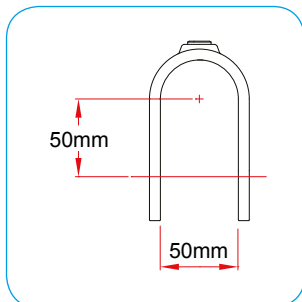
Short Tee Swivel

Internal Swivel Tee

T13500 0.57kg

T14800 1.15kg

T14700 0.61kg



Clamp on Crossover

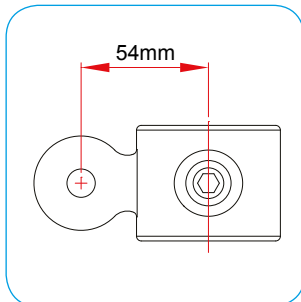
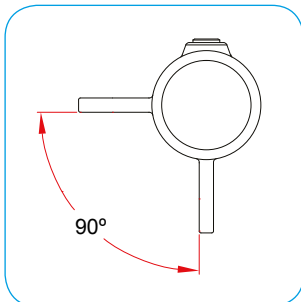
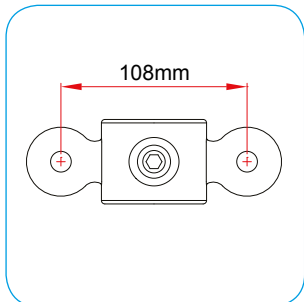
Crossover 90°

Combination Socket Tee

T16000 0.62kg

T16100 0.64kg

T16500 1.02kg



Double Male Section of Swivel

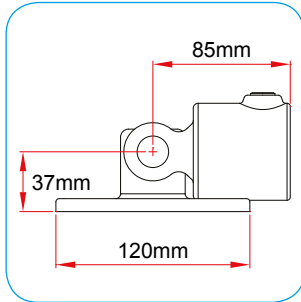
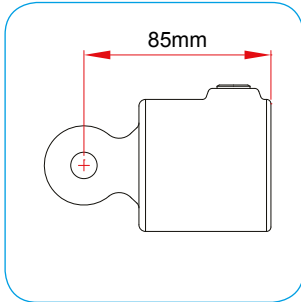
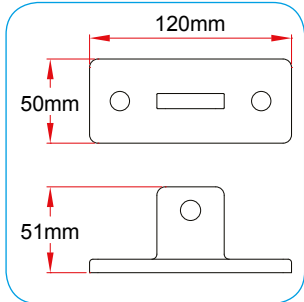
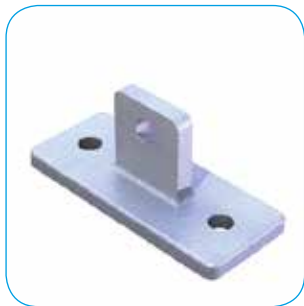
Corner Swivel Combo 90° (male)

Swivel (male section)

T16700M 0.46kg

T16800M 0.47kg

T17300M 0.30kg



Swivel Base Section (male)

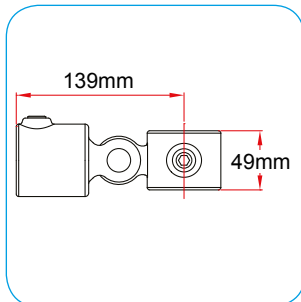
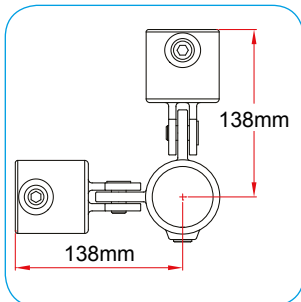
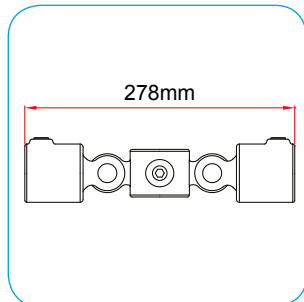
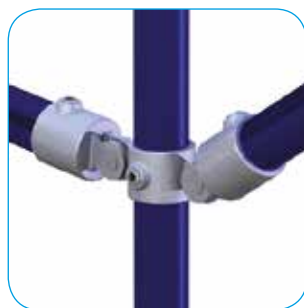
Swivel (female section)

Swivel Base

T16900M 0.41kg

T17300F 0.52kg

T16900 0.99kg



Double Swivel Combination

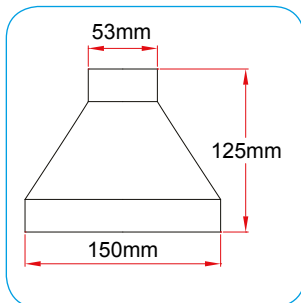
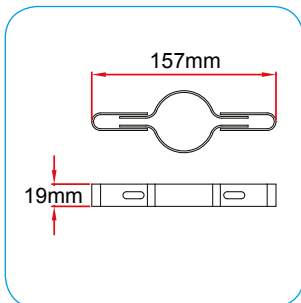
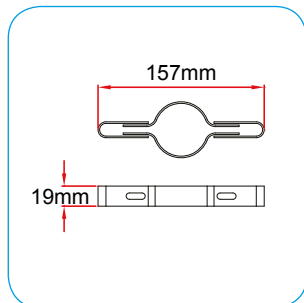
Corner Swivel Combo 90°

Single Swivel Combination

T16700 1.72kg

T16800 1.72kg

T17300 0.98kg



Single Mesh Clip

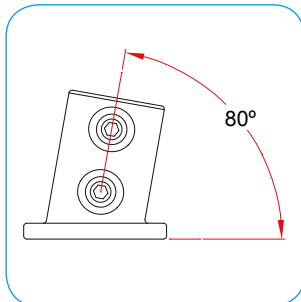
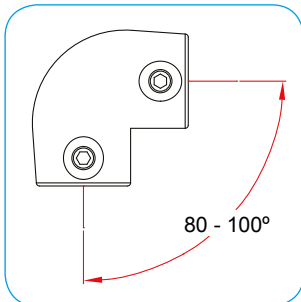
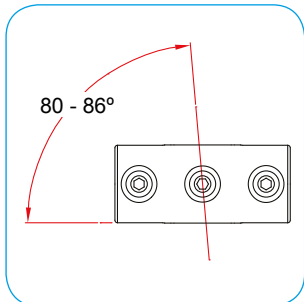
Double Mesh Clip

Base Weather Shield

T17000 0.08kg

T17100 0.15kg

T18250 0.48kg



Angled Two Socket Cross

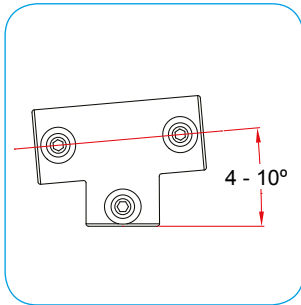
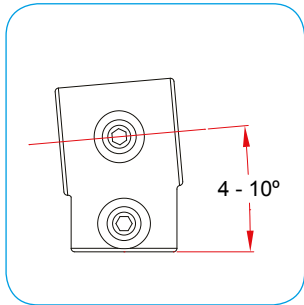
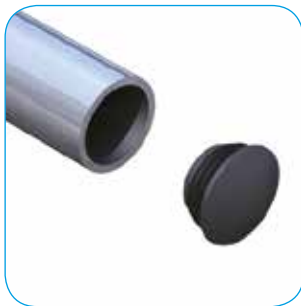
Angled Elbow

Angled Base Flange

T17625 0.94kg

T17629 0.93kg

T17622 1.21kg



Angled Single Socket Tee

Angled Two Socket Tee

Plastic Stop End

T17620 0.72kg

T17621 1.28kg

T13300 Grey

T13301 Black



Allen Screw

T19300



Ratchet Key

T19100

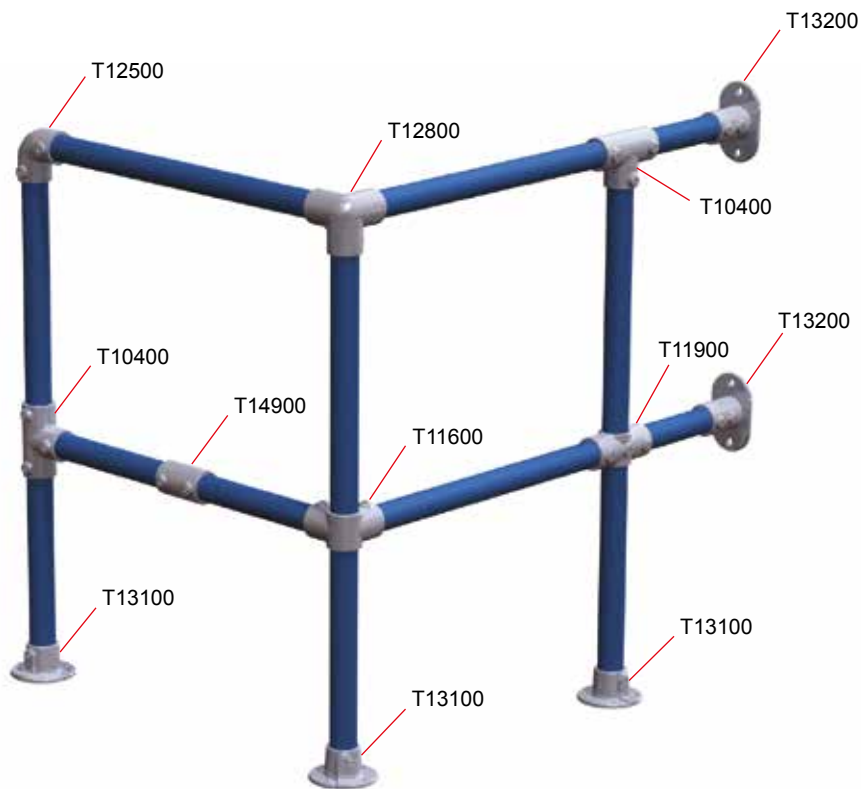
6 & 8mm



8mm Allen Key

T19200

8mm



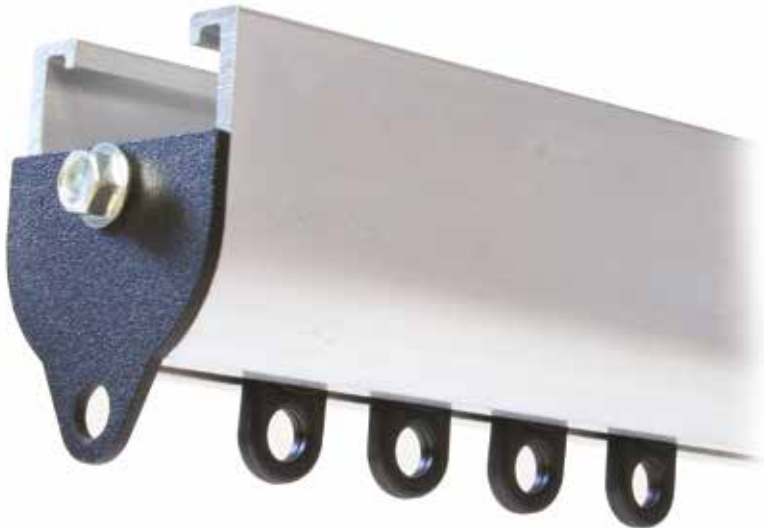
Doughty Rail

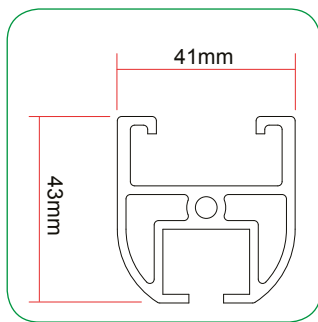
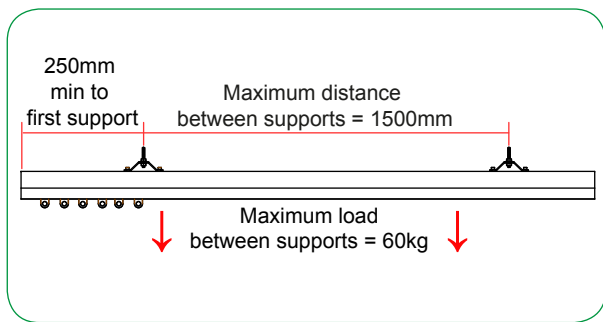
Doughty Rail is an Extruded Aluminium Walk Along Curtain Rail System. The system has been designed to have a low profile with compact ball raced curtain runners. The top suspension channel is dimensioned to work with 'Unistrut' nuts.

Available powder painted black or natural aluminium.

Main features:

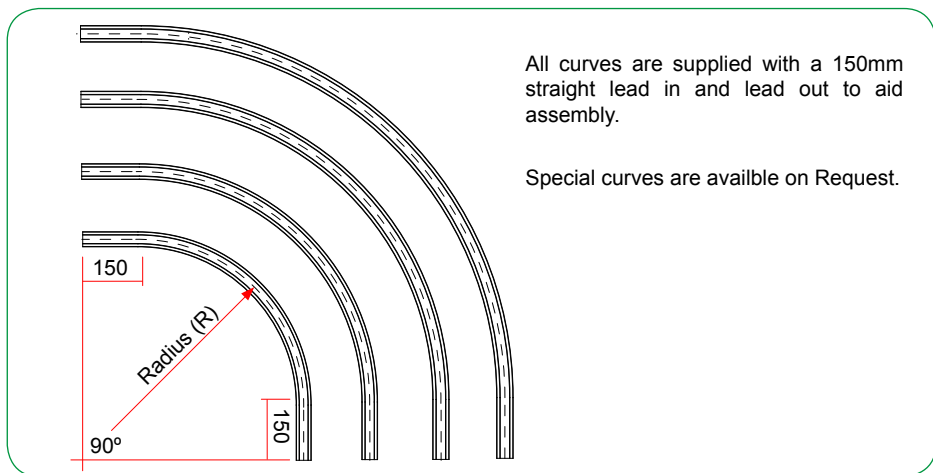
- Low profile extruded aluminium section
- Can be cut to length on-site
- Curves from 450mm radius
- Single swipe or overlap curtains
- Ball raced runners with 6kg WLL
- Walkalong only system
- Finished in black powder coat or natural aluminium





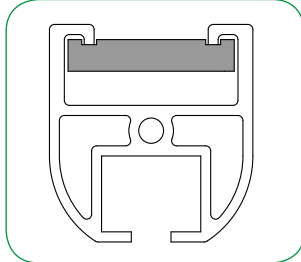
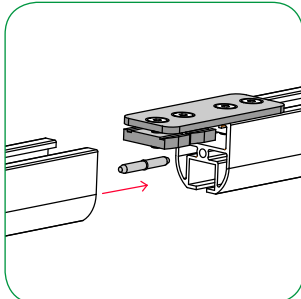
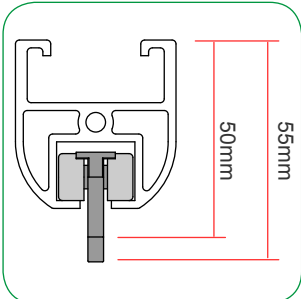
Straight Rails

Silver		Black			
T81000	1m	2.90kg	T81001	1m	2.90kg
T81010	2m	4.30kg	T81011	2m	4.30kg
T81020	3m	5.80kg	T81021	3m	5.80kg



Curved Rails 90°

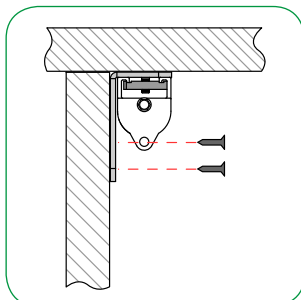
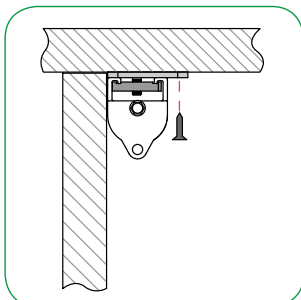
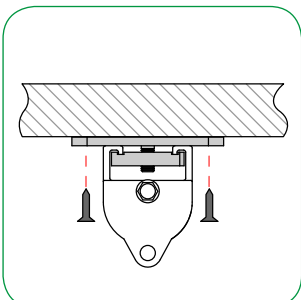
Silver		Black			
T81050	R=45cm	2.15kg	T81051	R=45cm	2.15kg
T81060	R=60cm	2.49kg	T81061	R=60cm	2.49kg
T81070	R=75cm	2.83kg	T81071	R=75cm	2.83kg
T81080	R=90cm	3.18kg	T81081	R=90cm	3.18kg



Ball Raced Runner
T81200 0.46kg

Joint Kit
T81100 0.47kg

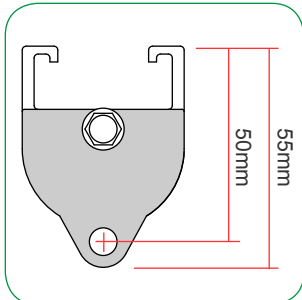
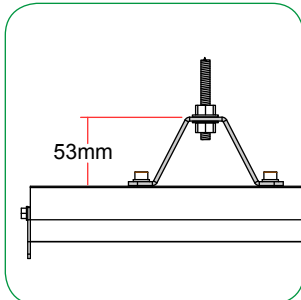
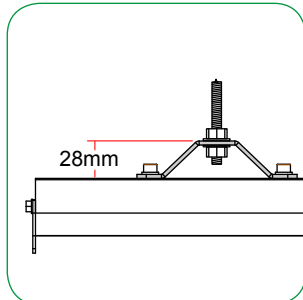
Channel Nut
T81190 M6
T81191 M8
T81192 M10



Ceiling Bracket
T81110 0.41kg

Corner Ceiling Bracket
T81120 0.52kg

Wall Bracket
T81170 0.99kg



25mm Top Hat Bracket

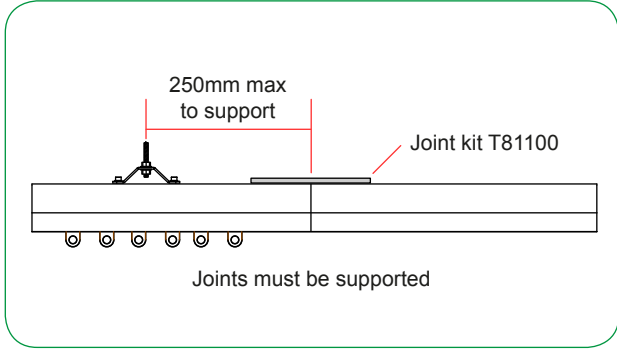
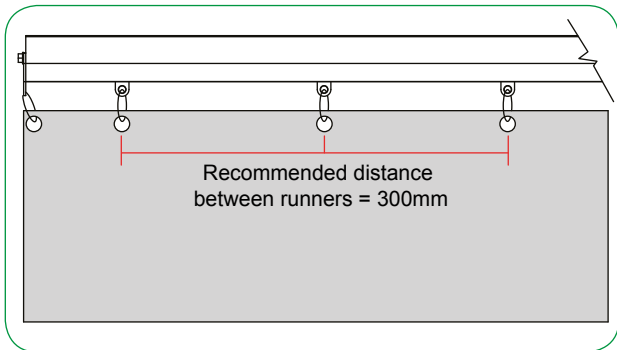
50mm Top Hat Bracket

End Stop

T81140 0.46kg

T81150 0.47kg

T81160 0.30kg



Slide In End Stop

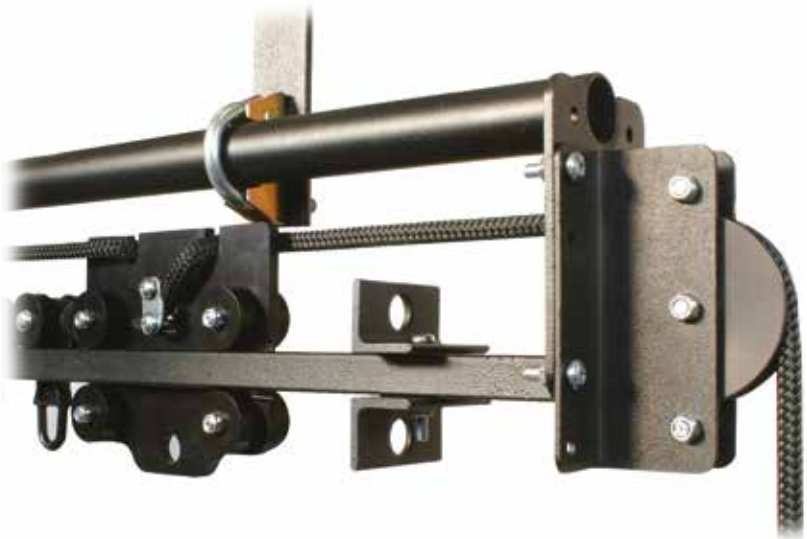
T81161 0.41kg

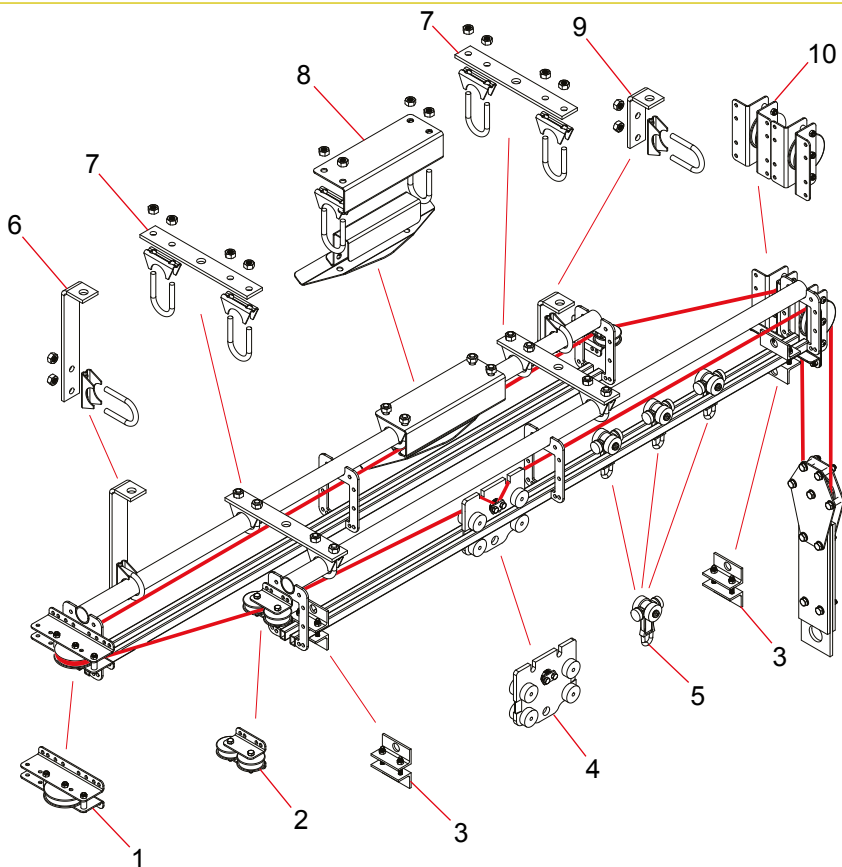
Six Track

Six Track is a modular curtain track system suitable for a wide range of stage and studio applications. The information in this brochure is for standard products to suit most typical applications. We also offer curved tracks and special systems built to your requirements. Please contact our technical sales team for further details.

Main features:

- Strong steel fabrication using a tubular top hanging bar and rectangular section tube rails
- Straight lengths up to 3 metres
- Curves from 500mm radius
- Single swipe or overlap curtains
- Ball raced runners with 6kg WLL
- Walkalong, handline, hand winch and electric options
- Black powder coated finish





- | | |
|-------------------------------|--------------------------------------|
| 1. T63775 Return Pulley | 6. T63750 Adjustable Support Bracket |
| 2. T63778 Double Guide Pulley | 7. T63752 Overlap Bracket |
| 3. T63760 End Stop | 8. T63770 Line Support |
| 4. T63755 Master Runner | 9. T63751 Short Support Bracket |
| 5. T63756 Ball Raced Runner | 10. T63776 Twin Head Pulley |

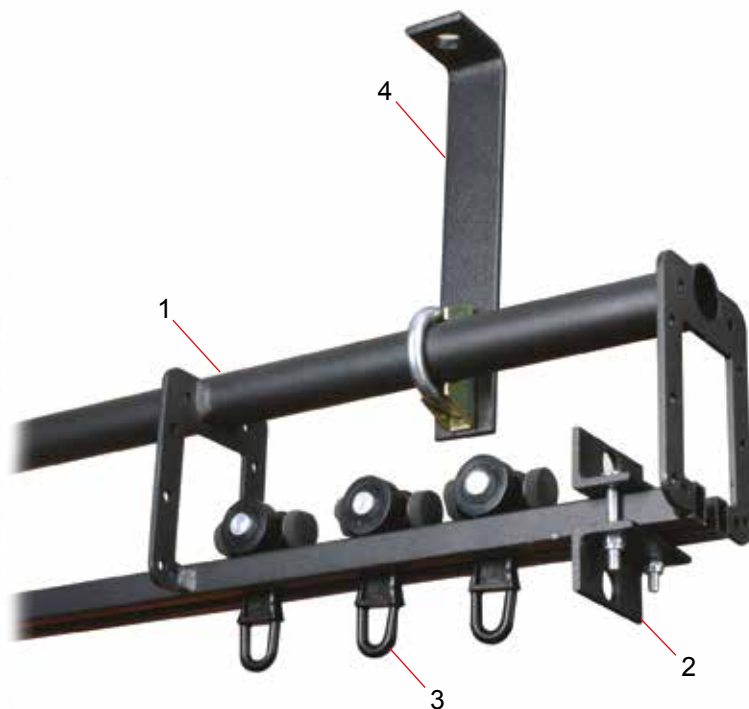
Recommendations:

1. Maximum length for an overlap track is 18 metres
2. Maximum length for a single track is 10 metres
3. Maximum span between supports (cloth open) 2.25 metres
4. Maximum span between supports (cloth bunched) 1.60 metres
5. Maximum runner spacing 300mm
6. Maximum load per runner 6kg
7. Line guides should be fitted at 2.5 metre intervals on straight sections
8. Six track has been designed for use with 8mm pre-stretched polyester cord

Walkalong Track Kits

Walkalong track kits include all the components required to install your chosen track length. A typical kit comprises track, end stops, ball raced runners, adjustable support brackets and a nut and bolt set.

Note: Other support brackets and fasteners may be required depending on individual installation methods.



1. Straight track
2. T63760 End stops (2 pairs per kit)
3. T63756 Ball raced runners (1 per 300mm of track)
4. T63750 Adjustable support brackets (1 per 1500mm of track)

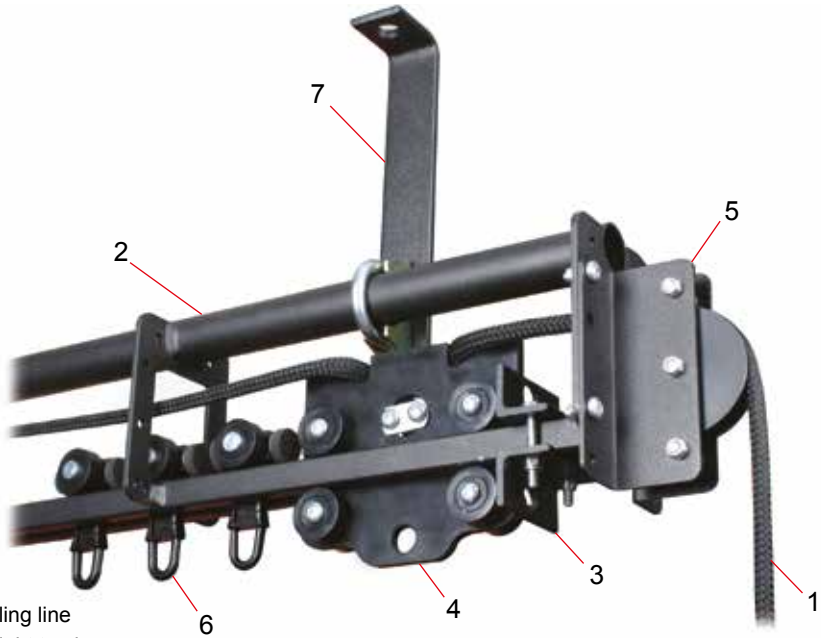
Walkalong Six Track Kits

T63941	4m	T63945	8m	T63949	12m
T63942	5m	T63946	9m	T63950	13m
T63943	6m	T63947	10m	T63951	14m
T63944	7m	T63948	11m	T63952	15m

Line Operated Track Kits

Line operated track kits include all the components required to install your chosen track length. A typical kit comprises track, adjustable support brackets, a nut and bolt set, master runner, pulleys, hauling line, line supports and a weighted hand pulley.

Note: Other support brackets and fasteners may be required depending on individual installation methods.



1. Hauling line
2. Straight track
3. T63760 End stops (2 pairs per kit)
4. T63755 Master runner (1 per Kit)
5. Pulleys (1 return pulley & 1 twin head pulley)
6. T63756 Ball raced runners (1 per 300mm of track)
7. T63750 Adjustable support brackets (1 per 1500mm of track)
8. Line support and weighted hand pulley (not shown)

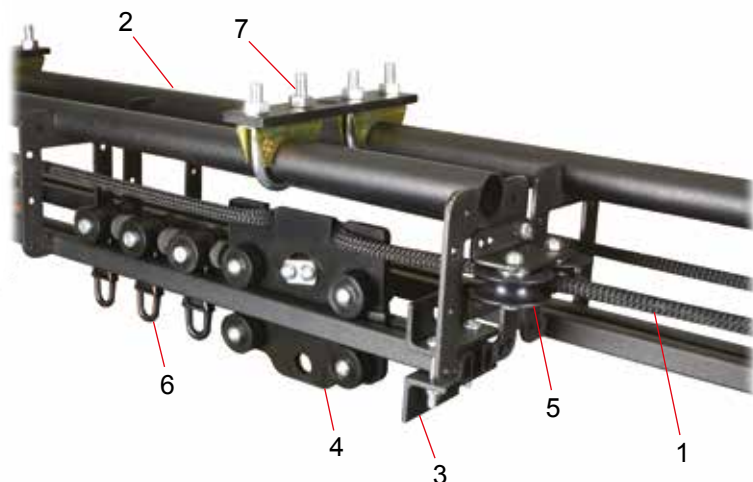
Line Operated Six Track Kits

T63908	4m	T63912	8m	T63916	12m
T63909	5m	T63913	9m	T63917	13m
T63910	6m	T63914	10m	T63918	14m
T63911	7m	T63915	11m	T63919	15m

Line Operated Track Kits with Overlap

Line operated track kits with overlap include all the components required to install your chosen track length. A typical kit comprises track, end stops, ball raced runners, adjustable support brackets, a nut and bolt set, master runners, pulleys, hauling line, line supports, overlap brackets, overlap pulleys and a weighted hand pulley.

Note: Other support brackets and fasteners may be required depending on individual installation methods.



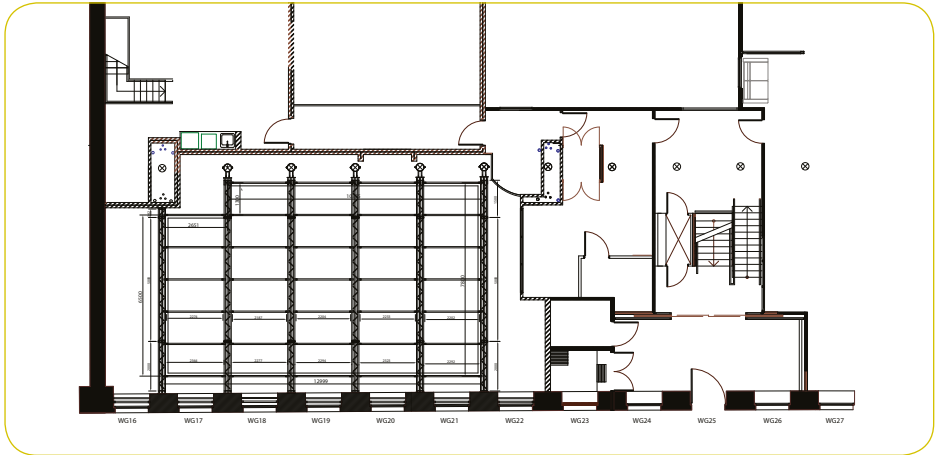
1. Hauling line
2. Straight track
3. T63760 End stops (2 pairs per kit)
4. T63755 Master runner (2 per Kit)
5. Pulleys (2 guide pulleys, 1 return pulley & 1 twin head pulley)
6. T63756 Ball raced runners (1 per 300mm of track)
7. T63752 Overlap brackets (2 per Kit)
8. Line supports, weighted hand pulley and adjustable support brackets (not shown)

Line Operated Track Kits with Overlap

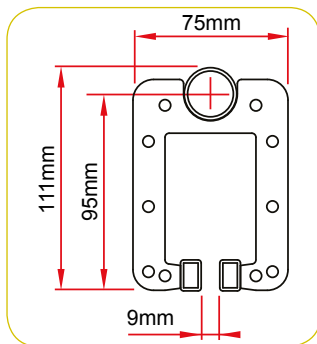
T63920	4m	T63924	8m	T63928	12m
T63921	5m	T63925	9m	T63929	13m
T63922	6m	T63926	10m	T63930	14m
T63923	7m	T63927	11m	T63931	15m

Bespoke Kits

Doughty Engineering Ltd offer a bespoke Six Track kit service. Simply submit your building plans or architect's drawings and our technical sales team will create a quote and parts list to suit your installation.

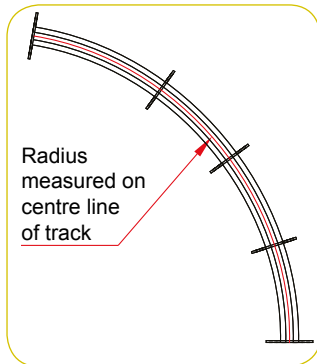


Track Sections



Six Track Straight Track Sections

T63705	Straight Track Section - 0.25m	0.63kg
T63706	Straight Track Section - 0.5m	1.19kg
T63707	Straight Track Section - 0.75m	1.99kg
T63708	Straight Track Section - 1m	2.69kg
T63710	Straight Track Section - 2m	4.47kg
T63715	Straight Track Section - 3m	6.71kg



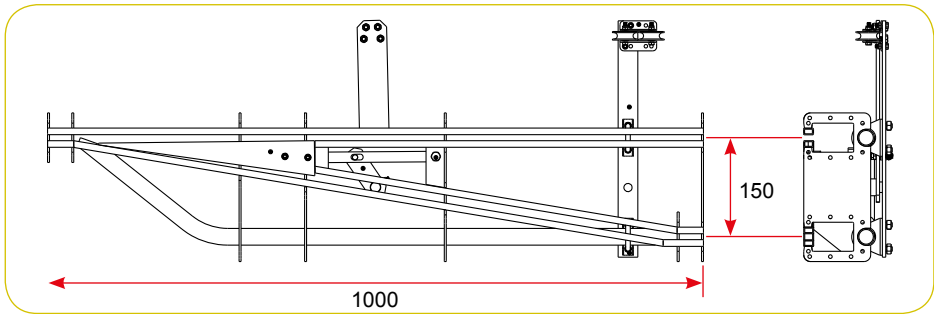
Six Track Curved (Radius) Track Sections

90 Degrees			45 Degrees		
T63730	0.5m x 90°	1.96kg	T63735	0.5m x 45°	1.00kg
T63733	0.6m x 90°	2.17kg	T63736	0.75m x 45°	1.40kg
T63731	0.75m x 90°	2.73kg	T63737	1m x 45°	1.82kg
T63734	0.9m x 90°	3.50kg	Notes: 2 metre curves are supplied as 2 sections, 3 metre curves are supplied as 3 sections. Special straight sections and radius curves can be made to order, contact our technical sales team.		
T63732	1m x 90°	3.62kg			
T63738	2m x 90°	7.20kg			
T63739	3m x 90°	10.8kg			



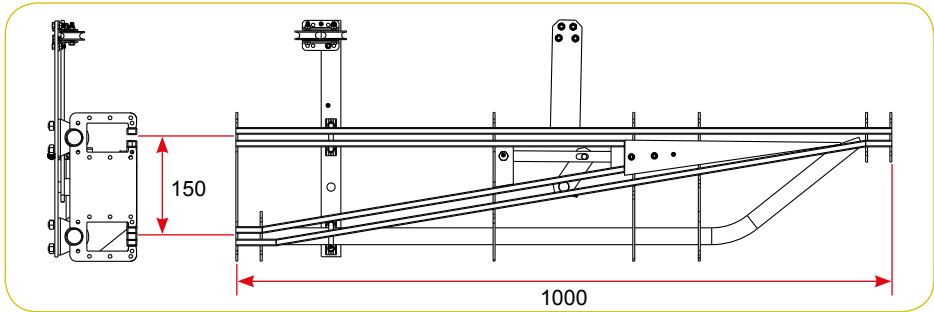
Six Track Points System (left handed)

T63726 7.69kg



Six Track Points System (right handed)

T63727 7.69kg





Bolt On End Plate

T63765

With the Bolt On End Plate, standard length track may be cut to any length and the end replaced on site. There is no need for any on site welding.

Two M5 holes will need to be drilled.



Adaptor Plate

T63766

The Adaptor Plate uses three expanding plugs to terminate a standard piece of track which has been cut to a special length. This plate allows runners to pass through it, allowing it to be used mid track.



End Stop - Curtain Anchor

T63760

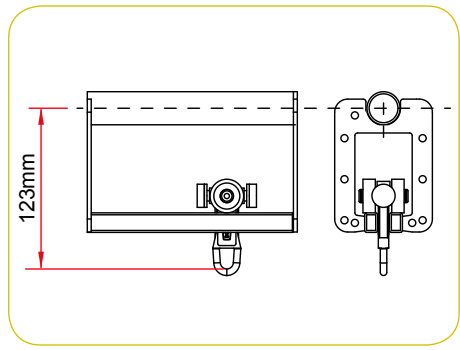
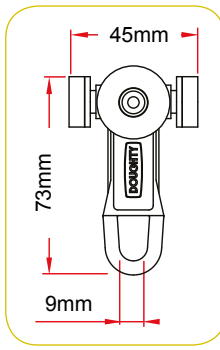
Six Track End Stops are used to stop the master runner at the end of a track run, they are also used to anchor the curtain at the start of a track.



Line Support

T63770

The Line Support bracket eliminates any sag in long hauling lines.



Curtain Runners (recommended spacing 300mm)

T63756

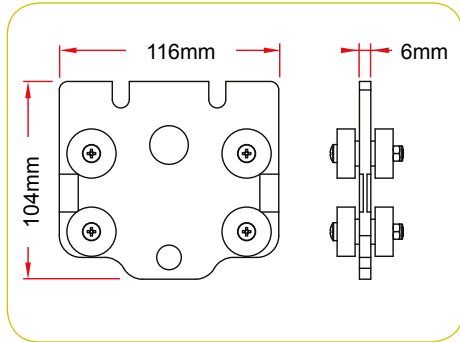
Ball Raced Bearing

WLL 6kg

T63757

Plain (no Bearings)

WLL 6kg

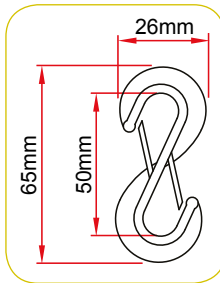


Master Runner (ball raced)

T63755

WLL 6kg

Master Runners are used to lead the curtain, the hauling line ends are also joined on the Master Runner.

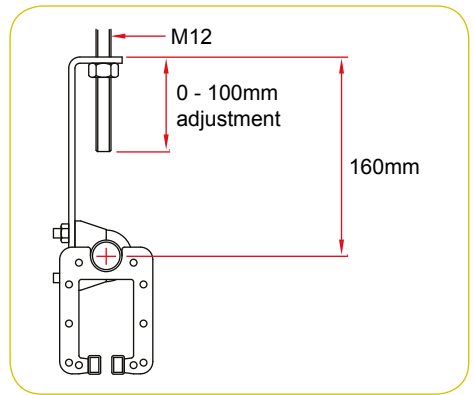


Nylon Twin Hook

T63796

WLL 6kg

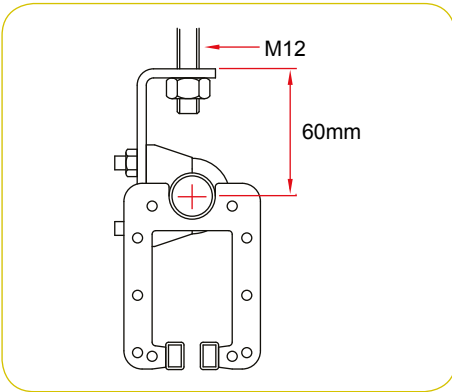
Twin Hooks are used to connect curtains to Six Track runners.



Adjustable Support Bracket

T63750

Six Track is generally suspended from its top rail using adjustable support brackets on M12 Studding, allowing up to 100mm of adjustment. In confined spaces, short support brackets can be used.



Short Support Bracket

T63751

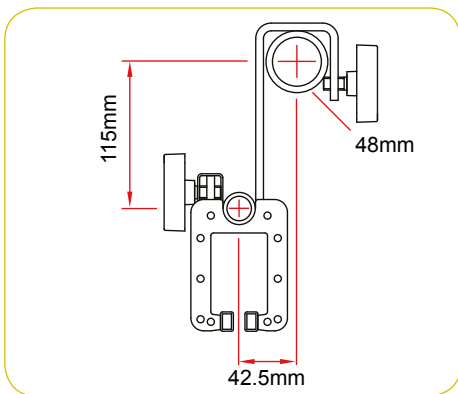
Short Support Brackets are ideally used where space is limited.



Top Rail Clamp (29mm "U" bolt)

T63749

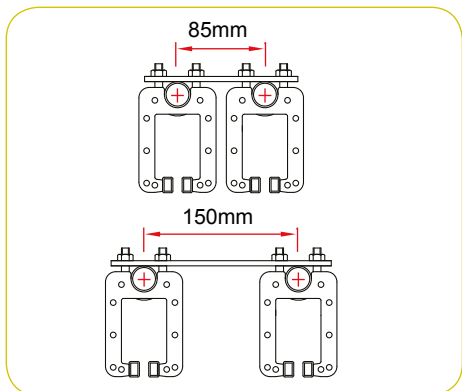
The Top Rail Clamp is sold separately when custom bracketry is required for special installations where standard brackets cannot be used.



Barrel Bracket

T63753

Barrel Brackets are used to suspend overlap curtain tracks from a 48mm barrel, truss section or lighting bar.



Overlap & Parallel Brackets

T63752 Overlap Bracket

85mm centres

T63754 Parallel Bracket

150mm centres

Overlap brackets are used to space two tracks apart to create an overlap whilst parallel brackets are used to space twin perimeter tracks.



Swing Arm Boom

T63785

WLL 100kg

The Swing Arm Boom has been specifically designed to allow single tracks to be mounted to scaffold tubes and lighting bars.

Tube centres are 71mm.



Return Pulley

T63775

The Six Track Return Pulley is used to return the hauling line around the end of a track run.



Twin Head Pulley

T63776

The Twin Head Pulley diverts the hauling line from horizontal to vertical to enable a drive unit or weighted pulley to be used.



Single Guide Pulley

T63777

The Single Guide Pulley ensures a smooth trouble free operation when used with line operated curves etc.



Double Guide Pulley

T63778

The Double Guide Pulley is used to divert the hauling line from one track to another in an overlap system.



1.3 kg Weighted Handline Pulley

T63820

Weighted Handline Pulleys are designed to maintain tension on manual hauling lines.



Floor Fixing Handline Pulley

T63825

The Floor Fixing Handline Pulley is designed to maintain tension on manual hauling lines. This pulley enables the tension to be adjusted.



Sprung Floor Pulley

T63830

The Sprung Floor Pulley is floor fixed and maintains a constant tension on manual hauling lines.



Hauling Line

T63780

200m reel

8mm black pre-stretched polyester

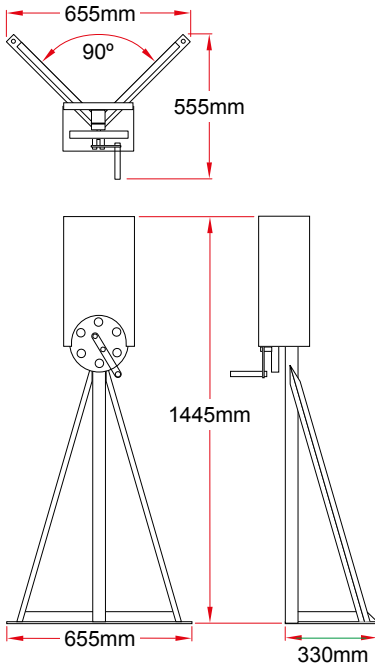


Fixing Kit

T63795 Six Track fixings

100 no

Manual Track Drives



Floor Mounted



Wall Mounted

Manual Track Drives

T63840	Wall mounted
T63841	Floor mounted

Designed for hauling curtains to a maximum of 15 metres (not for lifting). The Manual Track Drive units are fitted as part of the continuous loop hauling line. They incorporate a hauling line tensioning system, and can be either wall or floor mounted.

Electric Track Drives



Designed for hauling curtains to a maximum of 25 metres (not for lifting). The Electric Track Drive Unit is fitted as part of the continuous loop hauling line. The system includes a hauling line tensioning system and a track mounted motorised capstan. The track drives are available as single phase complete with a wall mounted variable speed control unit or 3 phase fixed speed with wall mounted control unit. The control unit includes an emergency stop and is supplied with two limit switches for track mounting. The kit comes with 10 metres of electrical cable and 50 metres of 24 volt control cable for the limit switches.

An optional open/close remote control unit is also available.

Electric Track Drives

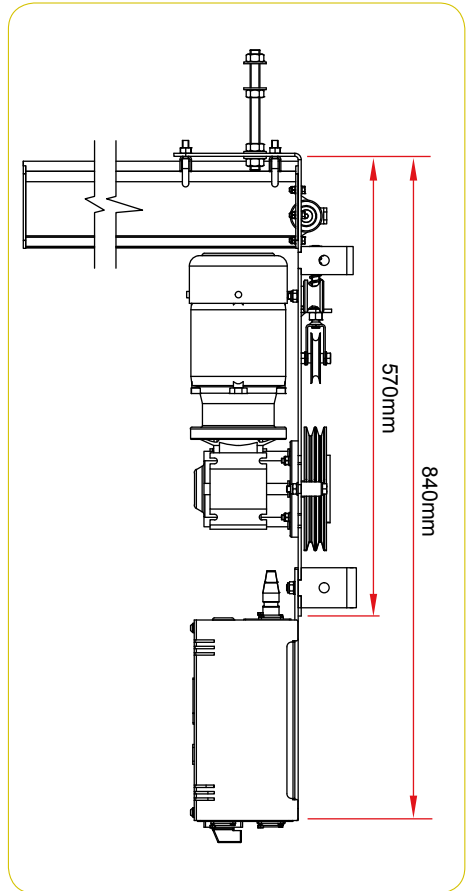
T63845	1 Phase Track Mounted Drive
T6384503	3 Phase Track Mounted Drive
T63850	Optional Remote Control

PLC Track Drive

The Six Track PLC Track Drive is a plug and play single phase Six Track Drive System. The PLC control box enables a variable drive system, the control box is demountable and can be situated remotely if required.

The system uses a 0.12kw 50Hz motor capable of hauling 75kg of drapes in a straight run and 50kg when curves are used.

Power and limit switch connections are made using industry standard connectors enabling cable to be altered or made on site quickly and easily.



Components

Each Track Drive System comprises of:

1. Motor Drive Unit
2. PLC Control Box
3. Pendant
4. Pair of limit switches and brackets
5. Power Cable

Note: If the control box is to be situated remotely an extension cable is required between the control box and motor.



Pendant

T63862

Pendant

Pendants are supplied with a 10m Cable and XLR connector fitted.
The pendant also has the facility to be daisy chained.

PLC Track Drives

T63860	PLC DRIVE SYSTEM - STANDARD	UP TO 0.7M / SEC
T63865	PLC DRIVE SYSTEM - SLOW	UP TO 0.3M / SEC

The PLC Drive system is available in two speeds. The standard speed drive and the slower speed drive which is more suited to Crematoriums etc.



Easydeck

Easydeck is a modular performance system, perfectly suited for use in the smaller venue. Designed after extensive consultation with drama teachers, amateur groups and rental companies, the system provides an efficient, cost effective solution to temporary staging. Easydeck is a 'no fuss' system which is simplicity itself to install and requires no special tools to assemble.

Easydeck modules are 1000mm x 1000mm. The frames are powder painted. The Deck Panels are phenol coated birch ply with a smooth surface and a non slip surface on opposing sides.

Easydeck conforms to DIN 53799, BS6566:1 1985.

Easydeck Frames and Panels are supplied seperately.





Non Slip Surface



Smooth Surface

Easydeck Square Frames & Reversible Deck Panels

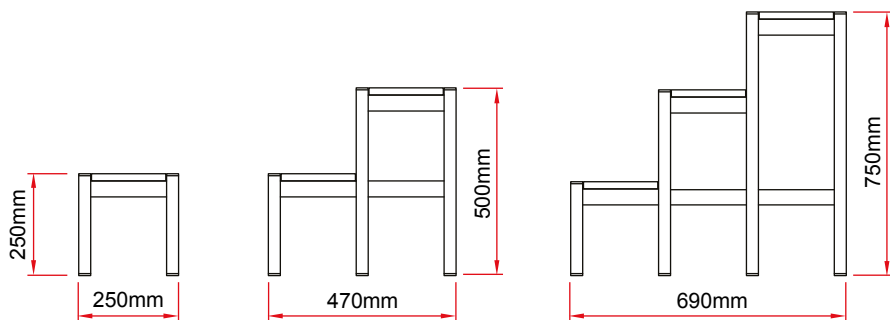
	Description	Size	kg	WLL
T76000	Square Frame	1000 x 1000 x 250mm	7.57kg	500kg
T76100	Square Frame	1000 x 1000 x 500mm	8.74kg	500kg
T76200	Square Frame	1000 x 1000 x 750mm	9.91kg	500kg
T76600	Reversible Deck Panel	1000 x 1000 x 18mm	7.57kg	



Easydeck Triangular Frames & Reversible Deck Panels

	Description	Size	kg	WLL
T76300	Triangular Frame	1000 x 1000 x 250mm	5.28kg	250kg
T76400	Triangular Frame	1000 x 1000 x 500mm	6.15kg	250kg
T76500	Triangular Frame	1000 x 1000 x 750mm	7.02kg	250kg
T76700	Reversible Deck Panel	1000 x 1000 x 18mm	5.28kg	

Double Step Unit



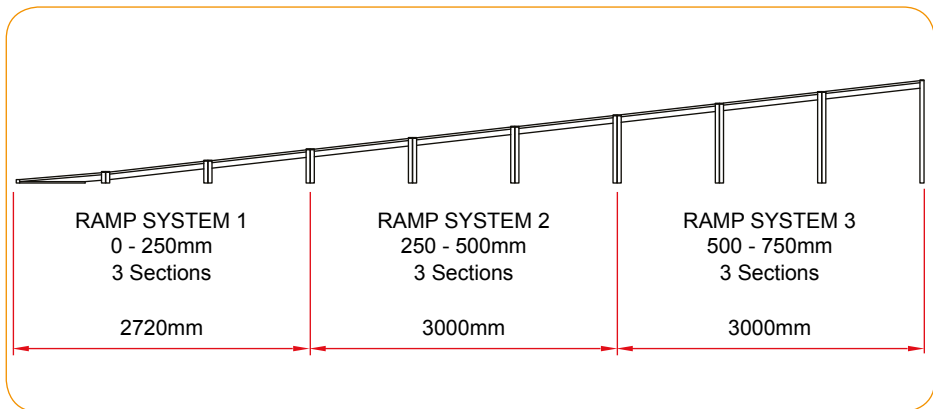
SINGLE STEP

DOUBLE STEP

TRIPLE STEP

Easydeck Step Modules

	Description	Size	kg
T76505	Single Step	1000 x 250 x 250mm	4.28kg
T76506	Double Step	1000 x 470 x 500mm	8.70kg
T76507	Triple Step	1000 x 690 x 750mm	11.0kg
T76800	Step Unit Deck Panel	1000 x 250mm	4.28kg



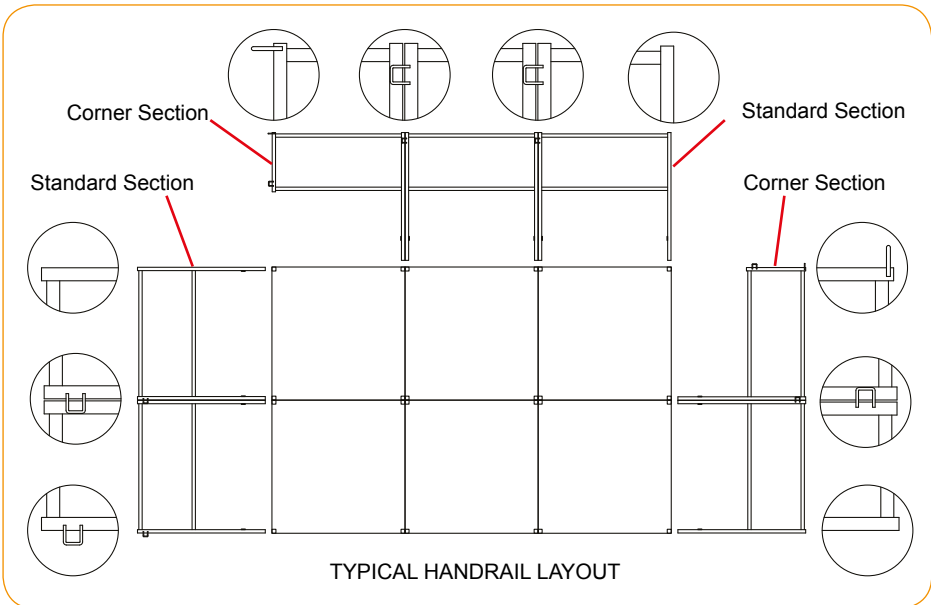
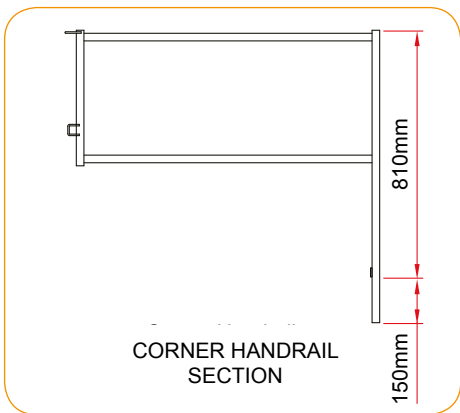
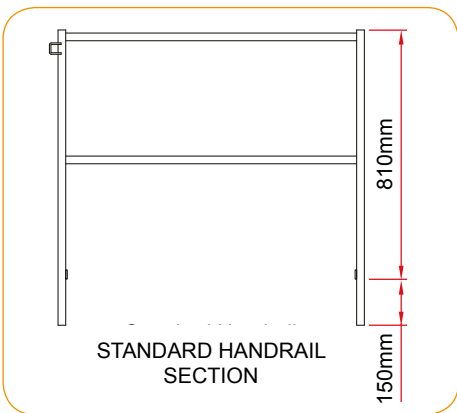
Easydeck Ramp System

	Description	Size	kg	WLL
T77900	Ramp System 1	0 - 250mm	56.0kg	500 kg/m ²
T77800	Ramp System 2	250 - 500mm	62.0kg	500 kg/m ²
T77910	Ramp System 3	500 - 750mm	66.0kg	500 kg/m ²
All Ramp Systems are supplied with Deck Panels				
T77100	Rising Handrail Section		4.02kg	



Easydeck Handrail

T76900	Standard Section	4.02kg
T77000	Corner Section	3.26kg
T77100	Ramp Section	4.02kg



Easydeck Chair Stops

T77300	Chair Stop	1.68kg
--------	------------	--------

Chair Stops create a raised edging to eliminate the chances of a chair leg slipping off the stage.



Easydeck "Bolton Twill" Valance

T77950	250mm drop x 6m
T77960	500mm drop x 6m
T77970	750mm drop x 6m

Easydeck Storage Dolly

T77400	Storage Dolly	9.51kg
--------	---------------	--------

Store up to twenty five frames and deck panels. Comes with heavy duty castors for ease of movement. Requires no more than 1.2 square metres of floor space.



Easydeck Ordering Information:

1. Generally for each unit ordered, 2 no T77500, 1 no T77600 and 1 no T77650 are required.
2. For each Handrail Corner, 1 Standard Section and 1 Corner Section are required.
3. Please note: Deck Panels are sold separate from the Easydeck frames.
4. Riser brackets are supplied in sets of four.

1. Easydeck Module Joint Clip

T77500 0.10kg

The Easydeck Joint Clips are used to secure runways and step units.



2. Easydeck Module Joint Channel

T77600 0.14kg

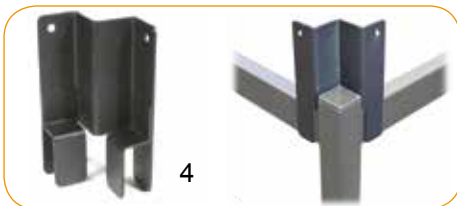
Joint Channels are used to create a secure joint between two adjacent frames.



3. Easydeck Support Channel

T77650 0.10kg

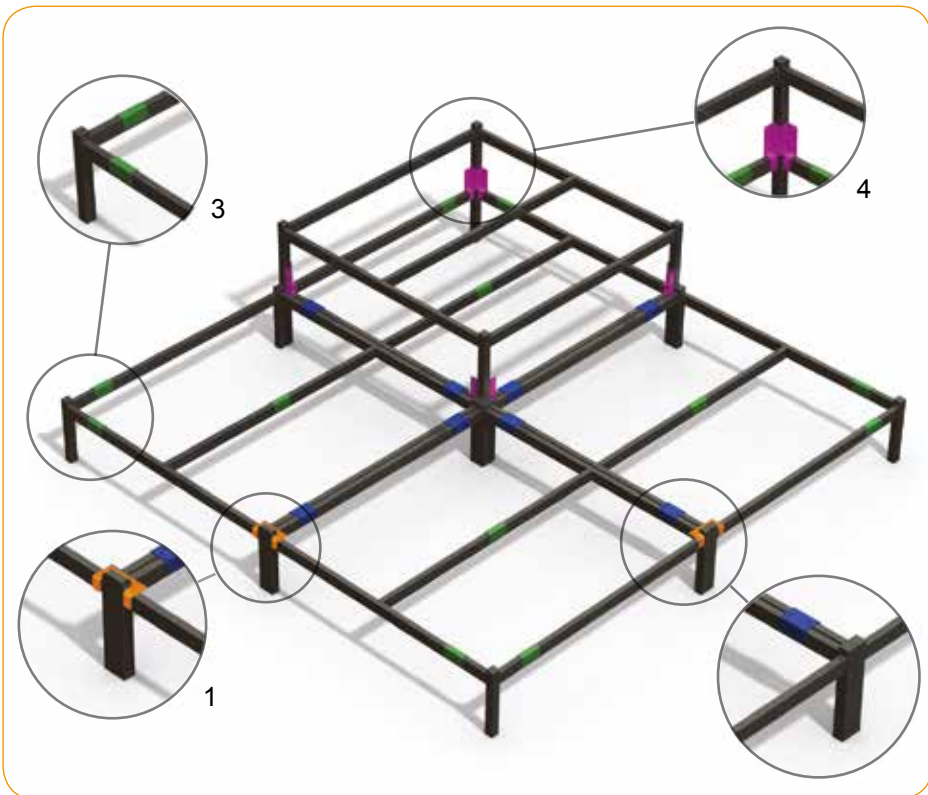
Support Channels are used to match the height of the Joint Channels and Joint Clips, ensuring a level platform for the deck panels is achieved.



4. Easydeck Module Riser Brackets

T77200 Set of 4 0.25kg

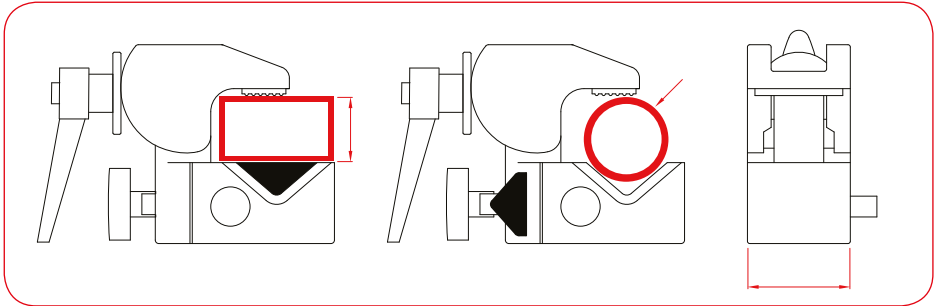
Riser Brackets are designed to be used when two units are tiered on top of each other. The Riser Brackets are fitted to each corner ensuring the tiered unit is extremely safe and secure.



Supaclamps

Supaclamps are pressure die cast aluminium clamps capable of clamping any surface from 13mm flat to 50mm diameter poles. Rubber grip pads prevent damage to surfaces. They are supplied with a wedge to grip flat surfaces.

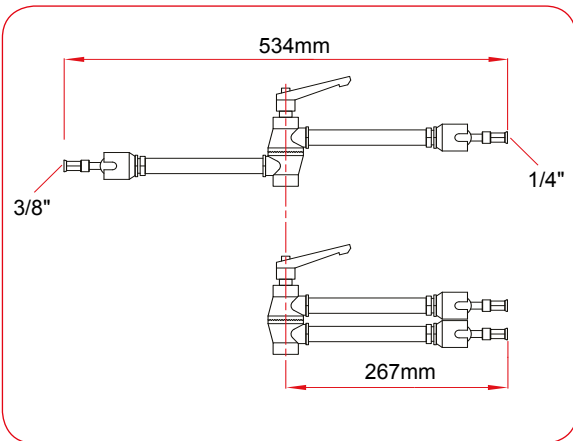
There is a full range of snap-in accessories to complement these versatile clamps.



Supaclamps					
Part No	WLL	D1	D2	D3	kg
G1160 - Silver	20kg	13 - 30mm	Ø15 - 50mm	45mm	0.45kg
G116001 - Black	20kg	13 - 30mm	Ø15 - 50mm	45mm	0.45kg

Pivot Arm

The Pivot Arm is a versatile multi-positioning arm which has been designed to complement the Supaclamp in the Film, Video and Photographic industry.



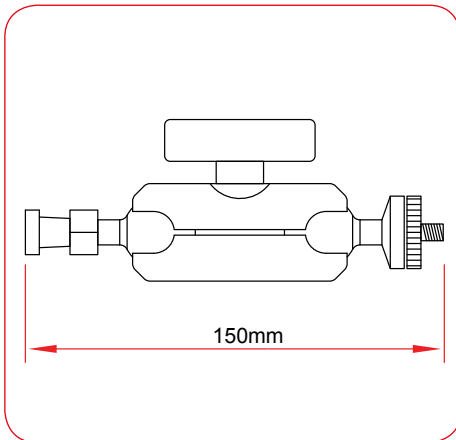
Pivot Arm

G1150

WLL 4.0kg

Knuckle Joint

The Knuckle Joint features a snap in spigot to fit our Supaclamp and a 1/4" UNC camera thread. Also supplied is an adapter to convert the 1/4" thread to a 3/8" UNC thread.



Knuckle Joint

G1155

WLL 4.0kg



M10 x 25 Rotating Stud
G1177

Snap-In 1/4" Camera Spigot
G1178

M10 Low Profile Socket
G1179



Snap-In 16mm x 3/8" Spigot
G1180

Snap-In 16mm x 1/4" Spigot
G1181

Snap-In 3/8" x 1/4" Spigot
G1182



Snap-In Pin 10mm
G1167

Snap-In Pin 12mm
G1166

Snap-In Pin 16mm
G1165



Snap-In Stud M12 x 30
G1168

Snap-In Stud M10 x 25
G1169

Swivel / Joining Stud
G1170



Snap-In Socket M12 x 35
G1171

Snap-In Socket M10 x 30
G1172

Snap-In Extension 150mm
G1173



Snap-In Offset Arm
G1174

Snap-In Swivel "C" Hook
G1175

Mounting Plate 100mm
G1176

Grip Equipment

Doughty Grip Equipment is a range of British designed and manufactured lighting support for studios and locations of all types. These products have been manufactured for a high degree of performance to give solutions to challenging lighting demands.





Griphead (large 115mm)

G1200 - Polished	2.40kg
G120001 - Black	2.40kg

The 115mm large Griphead features an offset 29mm receiver to accommodate luminaires. The clamp plates are designed to accept 25, 20, 16 & 12mm diameter poles/arms. The conical clamping system enables items up to 50mm square or of irregular shape to be clamped securely.



Griphead 65mm

G1210 - Silver	0.70kg
G121001 - Black	0.70kg

The 65mm standard Griphead features an offset 16mm receiver. The clamp plates are designed to accept 16, 12, 10 & 6mm diameter pins/arms for flags, scrimms etc. The conical clamping system enables items of irregular shape to be clamped securely.



Double Griphead 65mm

G1220	1.30kg
-------	--------

Two independently operable gripheads mounted on a 10mm x 170mm stainless steel spike.



Pin with Collar 150mm x Ø16mm

G1260	0.23kg
-------	--------

This Pin enables lightweight luminaires fitted with a 17mm receiver to be mounted to any griphead. The collar acts as a safety stop when inverted.



Snap-In Griphead 65mm

G1221	1.3kg
-------	-------

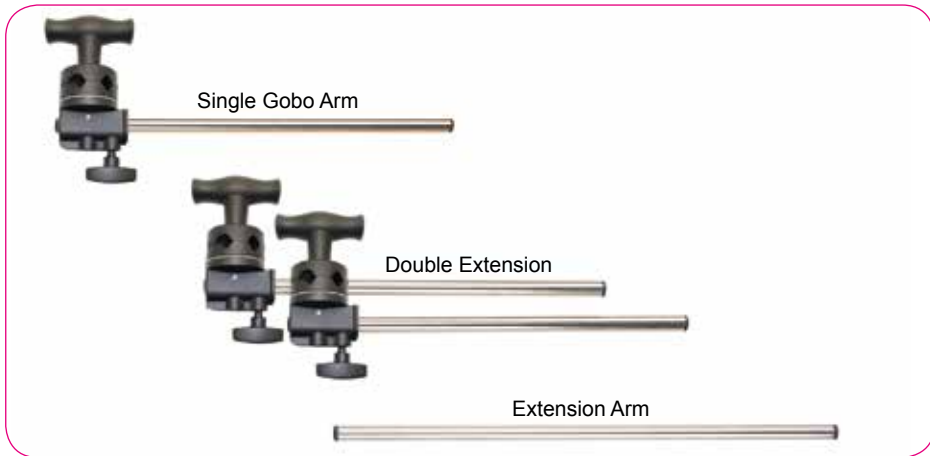
Factory fitted with a snap-in pin for use in conjunction with the G1160 Supaclamp or similar accessories.



Supaclamp

G1160 - Polished	0.45kg
G116001 - Black	0.45kg

Designed to grip any surface from 5mm flats to 50mm diameter poles, the Supaclamp features a snap-in receiver.



Gobo Arms

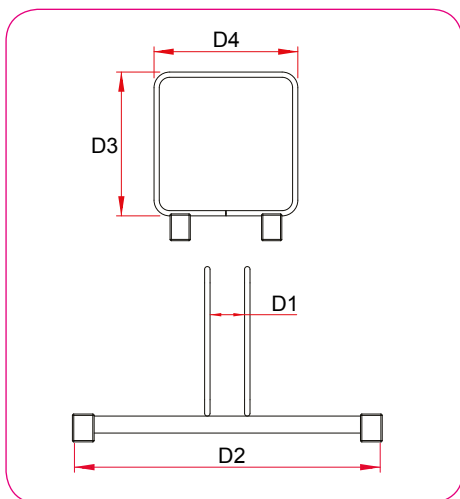
G1230	500mm x 16mm Single Gobo Arm	0.84kg
G1235	1000mm x 16mm Single Gobo Arm	1.06kg
G1240	500mm x 16mm Double Extension	1.68kg
G1245	1000mm x 16mm Double Extension	2.14kg
G1250	500mm x 16mm Stainless Steel Extension Arm	0.23kg
G1255	1000mm x 16mm Stainless Steel Extension Arm	0.46kg



Polyholders

G1140 Polyholder 25mm	0.62kg
G1142 Polyholder 40mm	0.80kg
G1141 Polyholder 50mm	0.83kg

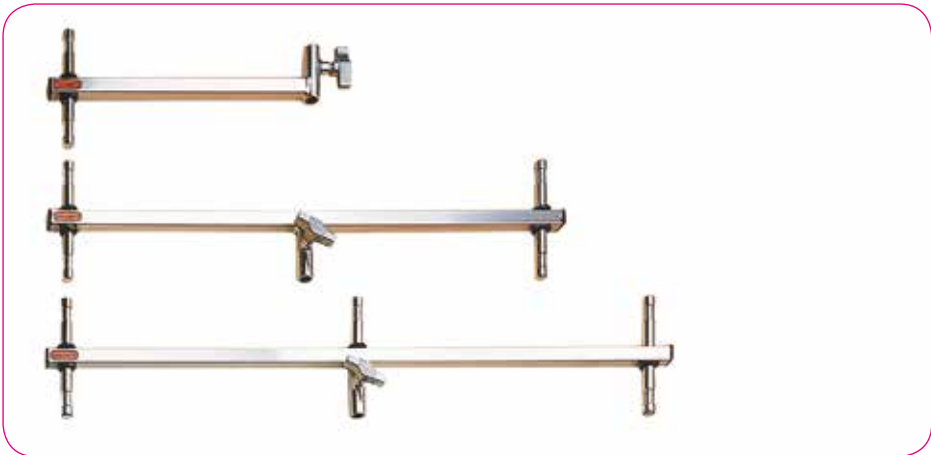
Polyholders comprise two 225 x 150mm aluminium plates powder painted black one side and white on the reverse. Fitted with a 10mm pin for use with Gripheads.



Floor Standing Poly Holder

	D1	D2	D3	D4	kg
G1147	50mm	450mm	220mm	220mm	2.0kg

A floor standing polyholder manufactured in steel and powder painted.



Baby Arms and Headers

	Length	Spigots	Receiver	kg
G1330 Baby Offset Arm	350mm	2 x 16mm	17mm	0.74kg
G1335 Baby Doubler Header	700mm	4 x 16mm	17mm	1.29kg
G1340 Baby Triple Header	850mm	5 x 16mm	17mm	1.55kg



Junior Arms and Headers

	Length	Receivers	Spigot	kg
G1300 Junior Offset Arm	450mm	1 x 29mm	28mm	2.53kg
G1310 Junior Doubler Header	900mm	2 x 29mm	28mm	4.24kg
G1315 Junior Triple Header	1000mm	3 x 29mm	28mm	5.00kg



Baby Adjustable Side Arm

G1345

0.76kg

The Baby Adjustable Side Arm is mounted to a vertical 32mm (1.25") tube or stand riser with a G1350 Vee Clamp.

The side arm is 500mm long and the spigots are 16mm.

Vee Clamp sold separately.



Junior Adjustable Side Arm

G1320

1.42kg

The Junior Adjustable Side Arm is mounted to a vertical 32mm (1.25") tube or stand riser with a G1350 Vee Clamp.

The side arm is 500mm long and the receiver is 29mm.

Vee Clamp sold separately.

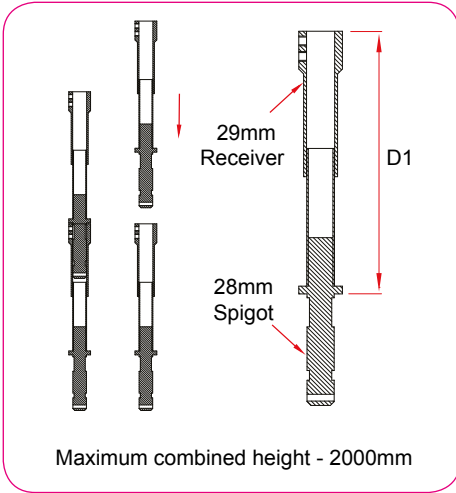


Junior Adjustable Offset Arm

G1305

2.40kg

The Junior Adjustable Offset Arm is fitted with a 28mm Spigot and 29mm receiver and is adjustable from 430mm to 700mm centres.



Low Lifts			
	D1	Spec	kg
T44450	135mm	Euro spec	0.98kg
T44460	270mm	Euro spec	1.36kg
T44470	405mm	Euro spec	1.49kg
T44475	675mm	Euro spec	1.74kg
T44500	1000mm	Euro spec	2.01kg

Extension Poles (28mm spigot/receiver)		
	Length	kg
T44640	1000mm - 1650mm	3.70kg
T44645	1080mm - 2500mm	5.20kg
T44650 - Black	1080mm - 2500mm	5.20kg

Extension poles and low lifts can be used in floor plates and bases or as a stand extension.

Fitted with a Multihead receiver which comprises a 29mm receiver combined with a pop up 16mm spigot.

**Not to be used as Drop Arms.
For Lifting Only.**



Double Risers

	Size	Finish	kg
G2020	770 - 1500mm	Chrome	3.37kg
G2021	1020 - 2260mm	Chrome	4.50kg
G2022	1270 - 3000mm	Chrome	5.40kg
G2023	1780 - 4520mm	Chrome	6.20kg
G202001	770 - 1500mm	Black	3.37kg
G202101	1020 - 2260mm	Black	4.50kg
G202201	1270 - 3000mm	Black	5.40kg
G202301	1780 - 4520mm	Black	6.20kg

Fitted with 16 & 29mm spigots.



WLL: 100kg

Doughty Universal Hanger

G2024

5.65kg

An extending hanger to suspend equipment from barrel truss grids. Fitted with a 48 - 51mm coupler and 29mm receiver, the Universal Hanger extends from 280mm - 2160mm.

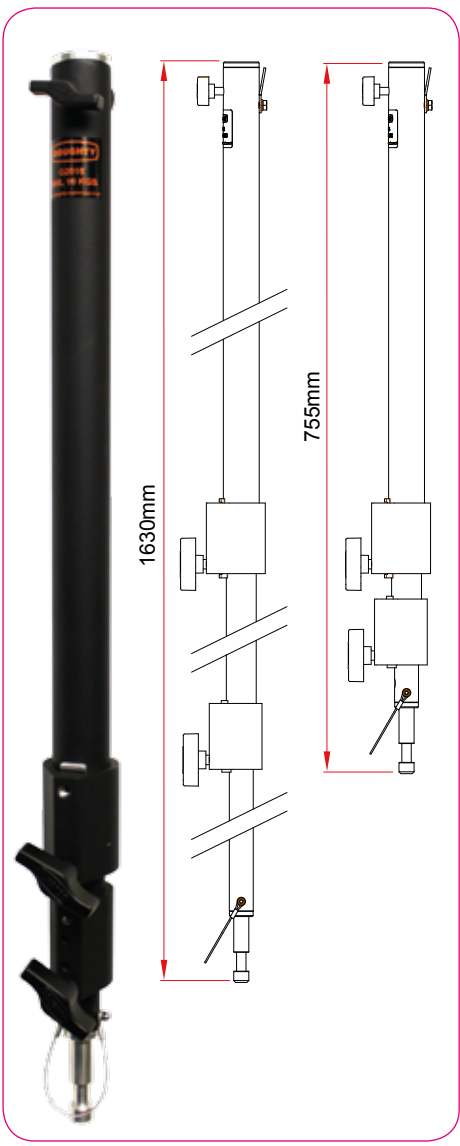


Doughty Grip Helper

G2025

4.60kg

An angled extending arm fitted with a 29mm receiver / spigot combination and a Large Griphead. The Grip Helper allows a scrim, silk or blackout to be mounted with a luminaire on the same stand. Length is adjustable from 845mm to 1280mm.



Lightweight Drop Arm

16mm Receiver - 16mm Spigot

G2016

WLL 10Kg



Super Lightweight Drop Arm

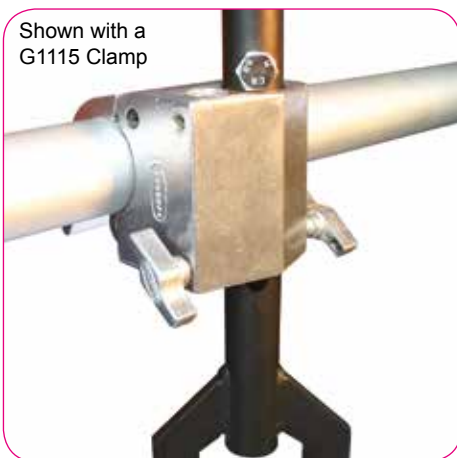
48mm - 16mm Spigot

T45725

WLL 10Kg

A three section telescopic lightweight drop arm fitted with a 16mm Receiver and 16mm Spigot. Safety bond loops are fitted top and bottom.

Our Super lightweight coupler fitted with a 16mm drop arm. The drop arm features a safety bond slot.



Single-Ended Adjustable Drop Arms

	Length	Spigots	Receiver	kg
T45610	250mm	Fits Barrel Socket Clamp (G1115)	29mm	1.66kg
T45612	500mm	Fits Barrel Socket Clamp (G1115)	29mm	1.85kg
T45614	750mm	Fits Barrel Socket Clamp (G1115)	29mm	2.04kg
T45616	1000mm	Fits Barrel Socket Clamp (G1115)	29mm	2.23kg
T45618	2000mm	Fits Barrel Socket Clamp (G1115)	29mm	4.46kg

Adjustable drop using pre-drilled holes in 28mm dia tube and a securing pin.



Double-Ended Drop Arms

	Length	Spec	kg
T45400	500mm	Euro spec	2.17kg
T45500	1000mm	Euro spec	2.65kg
T45600	2000mm	Euro spec	3.79kg

Fixed length drop with 28mm spigot and 29mm receiver. Enables luminaire to rotate.



Baby Pin Wall Plate

G1405

0.46kg

A 100mm x 100mm plate with 16mm spigot and Ø8mm corner fixing holes.



Baby Receiver Wall Plate

G1128

0.37kg

A 100mm x 100mm plate with 16mm receiver and Ø8mm corner fixing holes.



Junior Wall Plate

G1129

0.85kg

A 120mm x 120mm plate with 29mm receiver and Ø8mm corner fixing holes.



Baby Grid Clamp

G1197

0.78kg

A standard Doughty T57000 Clamp fitted with a Ø16mm spigot 70mm long.



Baby Pin Hook Clamp

G1415

0.40kg

A standard Doughty T20100 Hook Clamp fitted with a Ø16mm spigot.



Flat Clamp

G1001

1.28kg

A medium duty scenery clamp which clamps up to 100mm and includes a fixed 29mm receiver and lynch pin.



Large Gaffer Clamp

G1000

1.20kg

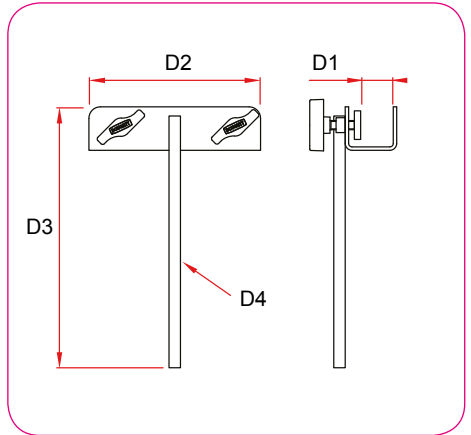
A quick release clamp which grips flat surfaces and barrel and provides two 16mm receivers.



G Clamps

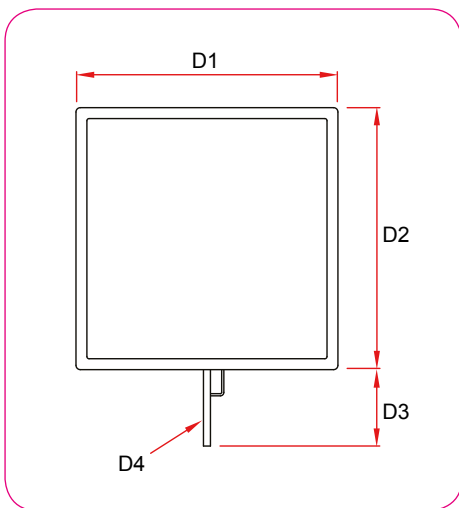
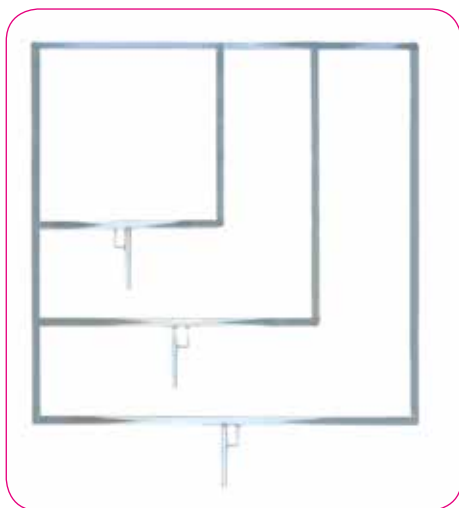
				kg
G1104	100mm Python Clamp	clamps 0 - 100mm		1.28kg
G1106	150mm Python Clamp	clamps 0 - 150mm		2.33kg
G1108	200mm Python Clamp	clamps 0 - 200mm		2.87kg
G1110	250mm Python Clamp	clamps 0 - 250mm		3.63kg

A range of G clamps fitted with dual position 29mm receiver. Modified jaws have been added to clamp flat surfaces or round bars.



Frame Clamps

	D1	D2	D3	D4	kg
G1113	50mm	150mm	230mm	Ø10mm	1.00kg
G1114	25mm	150mm	230mm	Ø10mm	0.74kg



Flat Aluminium Flag Frames (25 x 6 flat)

	Size	D1	D2	D3	D4	kg
G3015	24" x 24"	610mm	610mm	190mm	Ø16mm	1.00kg
G3016	36" x 36"	915mm	915mm	190mm	Ø16mm	1.29kg
G3018	48" x 48"	1220mm	1220mm	190mm	Ø16mm	1.69kg



Sand Bags

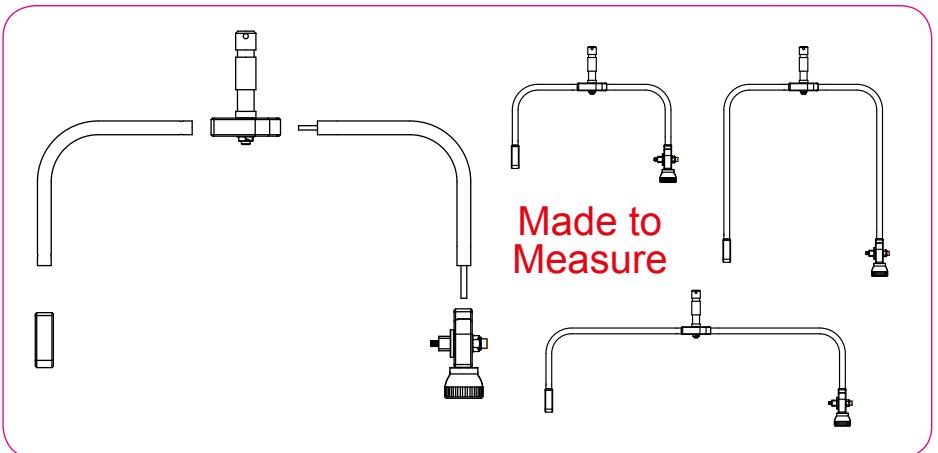
G3301	Capacity - 10kg Sand - 18kg Shot
-------	----------------------------------

Water resistant.

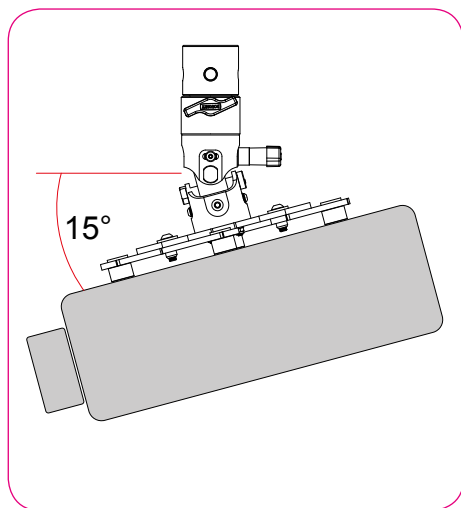
Pole Op Yokes

A Pole Operated Yoke featuring Pan and Tilt movement.

The yoke has been designed with flexibility in mind. There are three main components, two gearboxes and a pivot housing separated by two formed tubes. These tubes can be cut to a size to suit most lights, projectors or cameras etc. This enables us to offer a cost effective solution to your pole-op requirements in a reasonable lead time.



Contact sales@doughty-engineering.co.uk for a quote

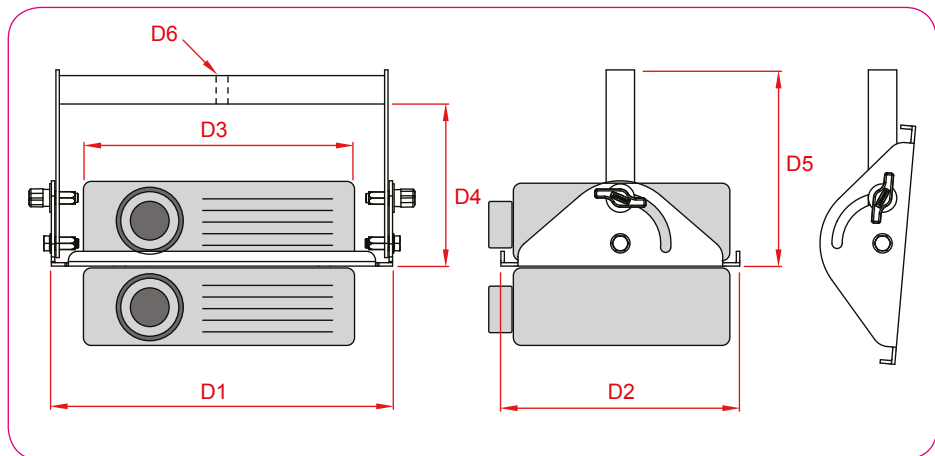


Projector Mount

T75080

WLL 25kg

An articulated projector mount featuring +/- 15 degrees of tilt in two directions and full 360° rotation. The mount is fitted with a tapered connector to suit our modular rigging system.
For Suspension Only.



Projector Cradles

	D1	D2	D3	D4	D5	D6	WLL
T75050	300mm	210mm	<240mm	<120mm	170mm	Ø12.5mm	10kg
T75055	420mm	325mm	<360mm	180mm	230mm	Ø12.5mm	10kg

Note: Trays are supplied blank and require drilling to suit the projector of choice.

TV Brackets

Doughty Engineering offer a range of three different sized TV brackets which have been designed to be suspended or mounted on a stand. Finished in crackle black powder paint these brackets feature an 12mm mounting hole in the top rail which can be used to fix a clamp, TV spigot or Studio Rail carriage.

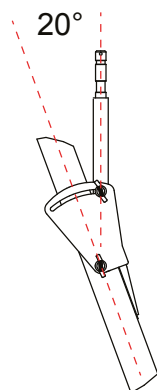
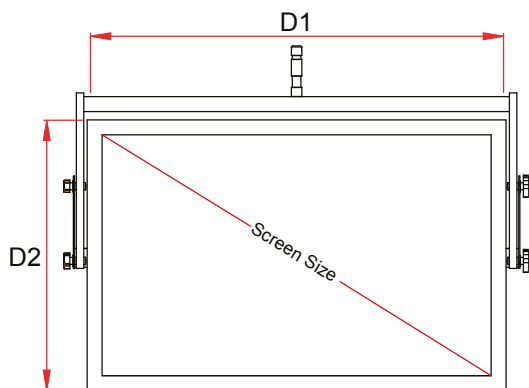
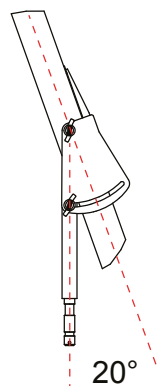
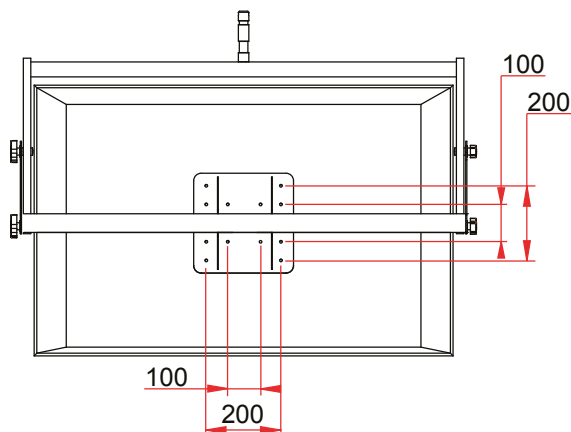


TV Brackets

	Screen Size	D1 Max	D2 Max	Vesa Mount
T75000	32"	750mm	500mm	100 x 100
T75010	37"	910mm	570mm	200 x 100 & 200 x 200
T75020	42"	1010mm	660mm	200 x 100 & 200 x 200

TV Brackets are not supplied with any fixings, clamps or Spigots.

Special sizes are available on request.



Transporter Trolleys

The Doughty Transporter range is designed as an adaptable transportation system, which may be configured to suit multiple applications.

The Transporter range utilises 48mm Barrel (Page 144) and Pipeclamps (Page 158), both of which are plentiful in the entertainment industry, to create a robust but cost effective structure.

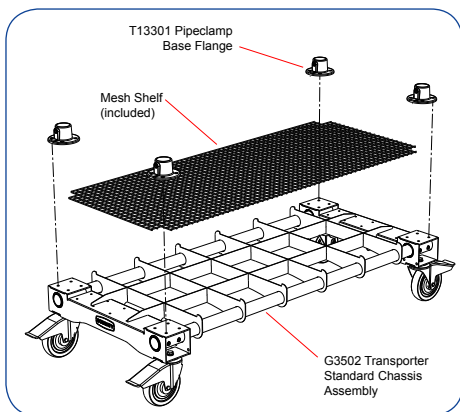
The Chassis Sub-frames employ standard T19300 Allen Screws to clamp lengths of barrel to form a chassis, upon which Pipeclamps and Barrel can be used to construct the trolley superstructure. This minimises the number of different tools required for assembly or alteration.

A range of accessories including various shelf options are available, and bespoke adaptor plates/modifications can be designed and manufactured upon request.





G3501 Sub-frames with Castors



G3502 Sub-frames with Castors



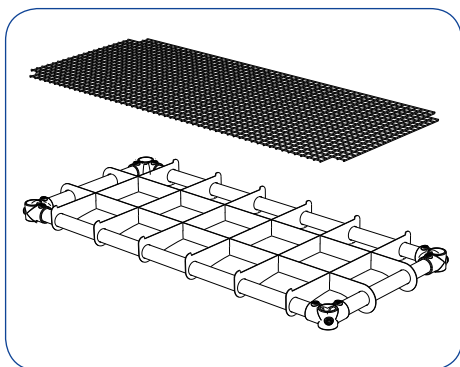
G3505 Tub



G3506 Side Extension



Typical Example



G3503 Shelf Assembly (1430x630)

G3504 Mesh Shelf

Stand Accessories

An extensive range of accessories to complement our large selection of lighting stands.



Castor Kits

T50500 - 75mm Kit

T50502 - 75mm Kit

G2201 - 4" (100mm) Kit

G2200 - 4" (100mm) Kit

To suit the following stands:

Neutron

Nova

Comet

Cine Combo Stands

To suit the following stands:

Followspot

Nebula 20

Nebula 33

Nebula 42

Studio 2000

Studio 3500

Studio 5000

Combo Stands

Parcan Stand Top

T54175

The Parcan Stand Top enables a parcan or similar luminaire fitted with a standard hook clamp to be used in a 29mm receiver.

This item should not be used as a suspension device.



Silver



Black



3 Function Multihead Top

G2060

WLL	N/A
D1	Ø32mm (Ø1.25")
D2	Ø29mm Receiver
D3	Ø16mm Spigot
D4	155mm
kg	0.66kg

3 Function Multihead Top

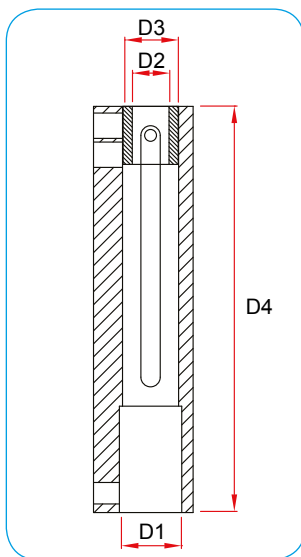
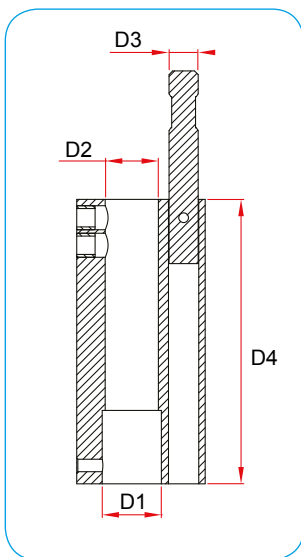
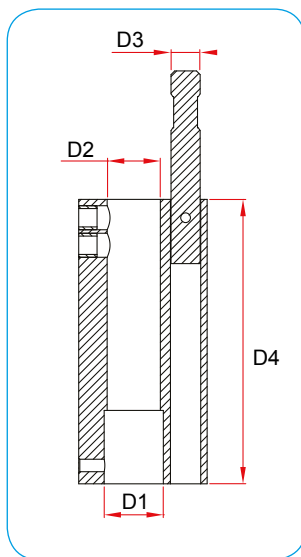
G206001

WLL	N/A
D1	Ø32mm (Ø1.25")
D2	Ø29mm Receiver
D3	Ø16mm Spigot
D4	155mm
kg	0.66kg

Combi Accessory Top

T52800

WLL	N/A
D1	Ø32mm (Ø1.25")
D2	Ø19mm Receiver
D3	Ø29mm Receiver
D4	210mm
kg	0.68kg





Platten Plate Followspot Top

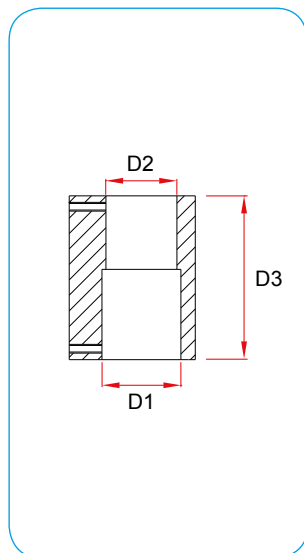
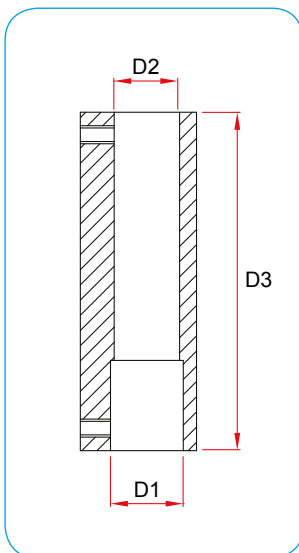
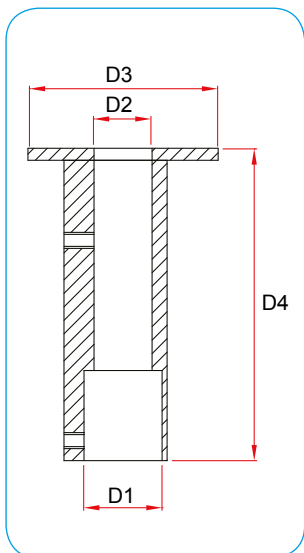
T52900	
WLL	N/A
D1	Ø32mm (Ø1.25")
D2	Ø29mm Receiver
D3	Ø95mm
D4	156mm
kg	0.49kg

Mounting for TV Spigot

T50600	
WLL	N/A
D1	Ø32mm (Ø1.25")
D2	Ø29mm Receiver
D3	150mm
kg	0.66kg

Mounting for TV Spigot

T50700	
WLL	N/A
D1	Ø38mm (Ø1.50")
D2	Ø29mm Receiver
D3	60mm
kg	0.66kg





Barrel Receiver

	Size (D1)	Fixing (D2)	kg
T50820	Ø48mm	M10	0.45kg
T50825	Ø48mm	M12	0.45kg
T50830	Ø51mm (Ø2")	M10	0.45kg
T50835	Ø51mm (Ø2")	M12	0.45kg



Mounting for 19mm Spigot

T50900	
WLL	N/A
D1	Ø32mm (Ø1.25")
D2	Ø19mm Receiver
D3	50mm
kg	0.24kg

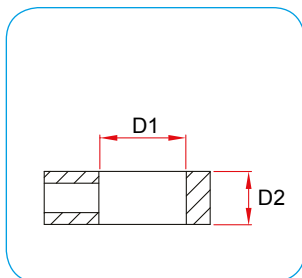
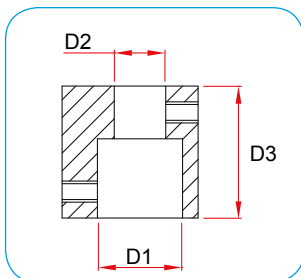
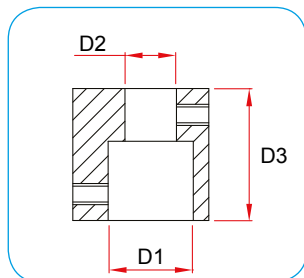
Mounting for 19mm Spigot

T50901	
WLL	N/A
D1	Ø38.1mm (Ø1.50")
D2	Ø19mm Receiver
D3	50mm
Kg	0.20kg

Safety Collar

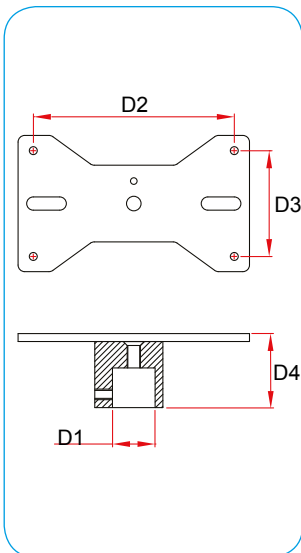
T53000	
D1	Ø32mm (Ø1.25")
D2	20mm

T53100	
D1	Ø38mm (Ø1.50")
D2	20mm

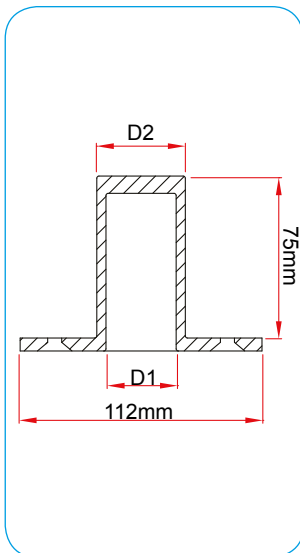




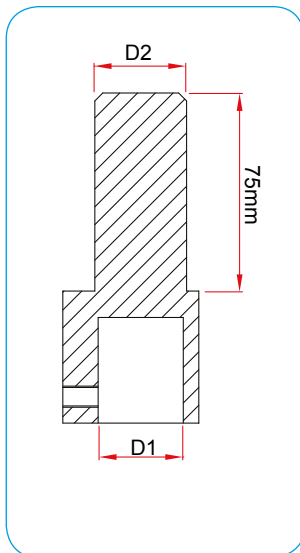
Ramsa / Bose Adaptor	
T52600	
WLL	N/A
D1	Ø32mm (Ø1.25")
D2	152mm
D3	80mm
D4	56mm
kg	0.49kg

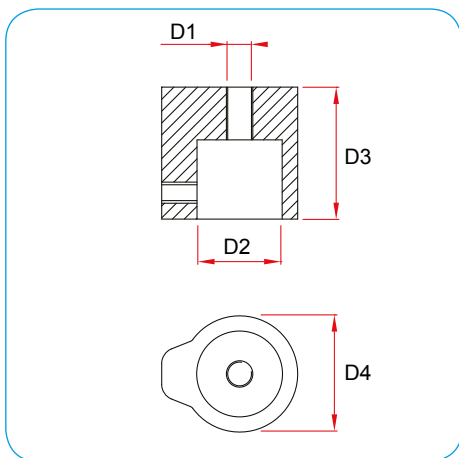


Speaker Internal Housing	
T52200	
D1	Ø32mm (Ø1.25")
D2	Ø41mm
T52201	
D1	Ø35mm
D2	Ø41mm



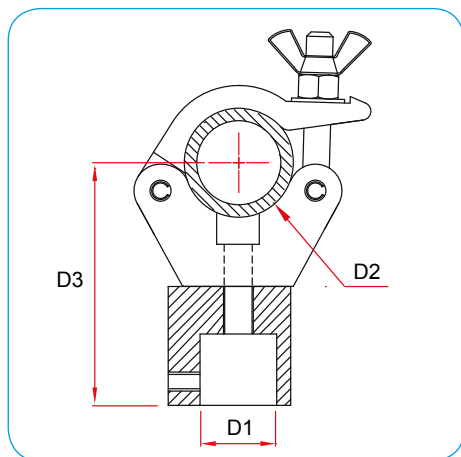
Speaker Adaptor 35mm	
T51000	
D1	Ø32mm (Ø1.25")
D2	Ø35mm
T51100	
D1	Ø38mm (Ø1.50")
D2	Ø35mm





Bolt Fixing for Tee Bar

	D1	D2	D3	D4	
T50810	M10	Ø32mm (Ø1.25")	50mm	44mm	
T50811	M10	Ø38mm (Ø1.50")	50mm	44mm	(Club 14/22)
T50812	M12	Ø32mm (Ø1.25")	50mm	44mm	
T50813	M12	Ø38mm (Ø1.50")	50mm	44mm	(Club 14/22)
T50814	M10	Ø35mm	50mm	44mm	(35mm)



2" Tee Bar Stand Top

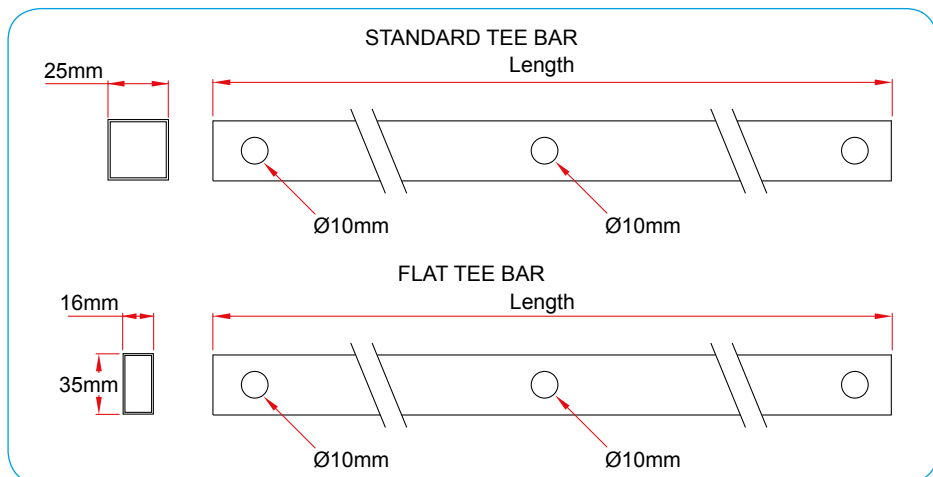
	D1	D2	D3	kg
T57220	Ø32mm (Ø1.25")	Ø48 - 51mm	105mm	0.88kg

The Stand Adaptor enables a Ø48 - 51mm tube to be mounted to a stand with a Ø32mm (1.25") riser. Ideal for heavy duty tee bars where lamps are used with their own mounting clamps.



Tee Bars (supplied with lamp fixings)

		Finish	Lamp Holes	Length	kg
T43000	2 Lantern	Zinc Plated	2	750 mm	0.81kg
T43001	2 Lantern	Black Powder Paint	2	750 mm	0.80kg
T43003	2 Lantern (Flat)	Zinc Plated	2	750 mm	0.79kg
T43100	4 Lantern	Zinc Plated	4	1250 mm	1.38kg
T43101	4 Lantern	Black Powder Paint	4	1250 mm	1.41kg
T43103	4 Lantern (Flat)	Zinc Plated	4	1250 mm	1.36kg
T43200	6 Lantern	Zinc Plated	6	1600 mm	1.79kg
T43201	6 Lantern	Black Powder Paint	6	1600 mm	1.82kg
T43203	6 Lantern (Flat)	Zinc Plated	6	1600 mm	1.73kg



Stands

Club Stands - High quality tripod stands finished in zinc plate.

Studio Stands - Professional range of tripod stands with a chrome finish.

Combo Stands - TV specification stand complete with multihead top and a lazy leg.

Roller Stands - TV specification stand complete with multihead top and castors.

Wind Up Stands - Medium duty winch operated lighting stands.

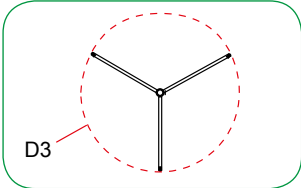
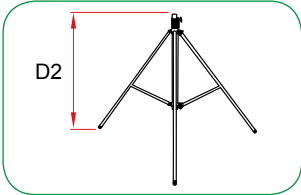
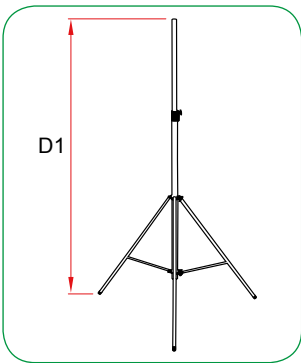
Winch Stands - Heavy duty winch operated stands for lifting truss etc.

Followspot Stands - Designed to give a high degree of stability with followspots.

"C" Stands - Range of turtle based stands complete with 16mm spigot.

Music Stands - Professional range of music stands designed for orchestras, music schools and rental companies.








- Compact steel and aluminium construction
- Die cast aluminium lock off knobs
- Finished in high quality zinc plate or satin black powder paint
- Non slip rubber feet
- Internal safety stops



Club = Silver (zinc)
Nightclub = Black

T49200	Club 25
T49465	Nightclub 25
Top Tube	Ø32mm (Ø1.25")
WLL	25kg
D1	2.50m
D2	1.24m
D3	1.34m
	1.23m
kg	5.80kg

T49300	Club 35
T49470	Nightclub 35
Top Tube	Ø32mm (Ø1.25")
WLL	25kg
D1	3.50m
D2	1.64m
D3	1.60m
	1.63m
kg	7.20kg

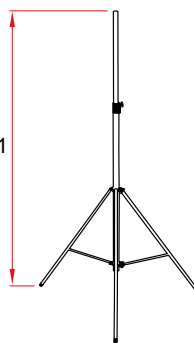
T49400	Club 475
T49475	Nightclub 475
Top Tube	Ø32mm (Ø1.25")
WLL	25kg
D1	4.75m
D2	2.88m
D3	1.6m
	2.88m
kg	8.80kg



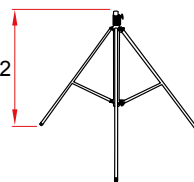
Ø32mm (Ø1.25")
Top Tube

Studio = Chrome
Shadow = Black

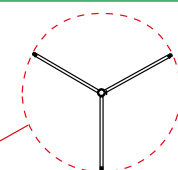
D1



D2



D3



- Chrome steel and aluminium construction
- Internal spring dampers
- Internal safety stops
- Double leg braces
- Die cast aluminium 'lock off' knobs
- Locking castors (optional)

T51800 Studio Comet

T51600 Studio Neutron

T51200 Studio Nova

T51801 Shadow Comet

T51601 Shadow Neutron

T51201 Shadow Nova

Top Tube Ø32mm (Ø1.25")

Top Tube Ø32mm (Ø1.25")

Top Tube Ø32mm (Ø1.25")

WLL 30kg

WLL 30kg

WLL 30kg

D1 2.14m

D1 2.50m

D1 3.50m

D2 1.34m

D2 1.50m

D2 1.63m

D3 1.15m

D3 1.34m

D3 1.62m

≡ 1.16m

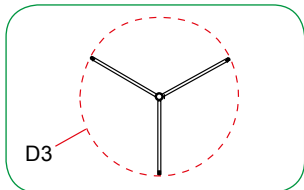
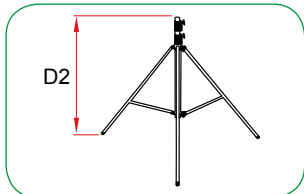
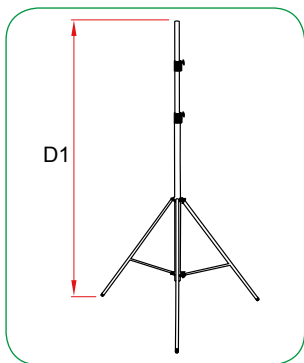
≡ 1.24m

≡ 1.63m

kg 7.10kg

kg 7.74kg

kg 8.88kg



- Chrome steel and aluminium construction
- Internal spring dampers
- Internal safety stops
- Double leg braces
- Die cast aluminium 'lock off' knobs
- Locking castors (optional)



Studio = Chrome
Shadow = Black

T51900	Studio 2000
T51901	Shadow 2000
Top Tube	Ø32mm (Ø1.25")
WLL	40kg
D1	2.00m
D2	1.00m
D3	1.06m
≡	1.11m
kg	7.00kg

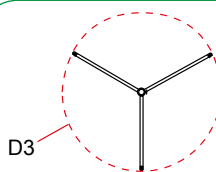
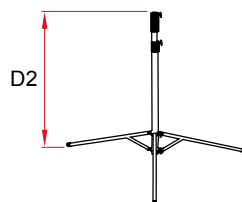
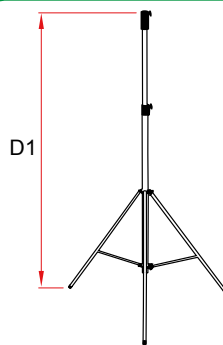
T52000	Studio 3500
T52001	Shadow 3500
Top Tube	Ø32mm (Ø1.25")
WLL	40kg
D1	3.50m
D2	1.32m
D3	1.47m
≡	1.31m
kg	10.70kg


T52100	Studio 5000
T52101	Shadow 5000
Top Tube	Ø32mm (Ø1.25")
WLL	40kg
D1	5.00m
D2	1.72m
D3	1.75m
≡	1.72m
kg	13.61kg

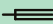



G2060 Three Function Multihead Top fitted to all Combo stands


Shadow = Black





G2030	Mini Combo
G203001	Shadow
WLL	30kg
D1	1.12m
D2	0.72m
D3	0.72m
	0.72m
kg	4.80kg

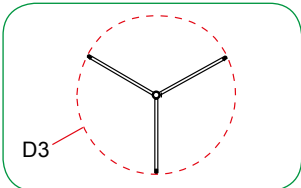
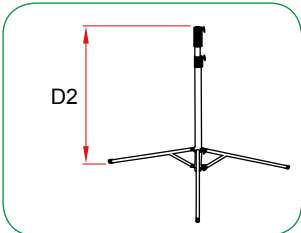
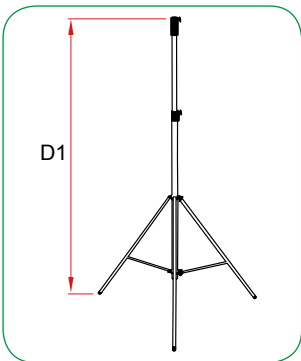
G2036	Cine Hi-Combo
G203601	Shadow
WLL	30kg
D1	3.16m
D2	1.23m
D3	1.15m
	1.23m
kg	9.50kg

G2031	Pee Wee
G203101	Shadow
WLL	30kg
D1	1.75m
D2	0.78m
D3	0.72m
	0.78m
kg	5.70kg

G2040	Lowboy Combo
G204001	Shadow
WLL	40kg
D1	2.40m
D2	1.10m
D3	0.85m
	1.08m
kg	9.30kg


G2035	Cine Combo
G203501	Shadow
WLL	20kg
D1	2.16m
D2	1.17m
D3	1.15m
	1.17m
kg	7.80kg


G2045	Combo
G204501	Shadow
WLL	40kg
D1	3.62m
D2	1.43m
D3	1.47m
	1.43m
kg	12.30kg




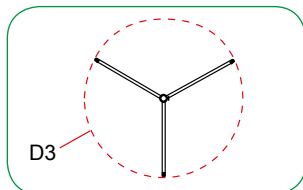
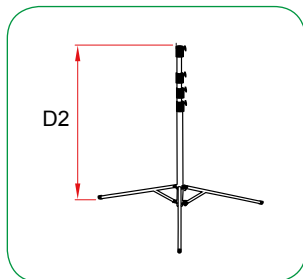
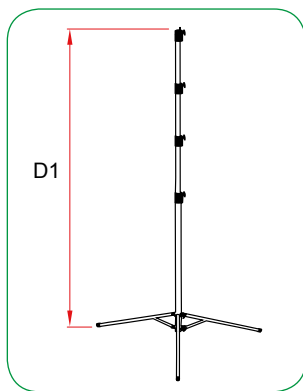
- Lazy leg for use on uneven surfaces
- Three function multihead
- Double leg braces
- Non slip rubber feet
- Internal spring dampers
- Chrome or Shadow range



G2046	Hi-Combo
G204601	Shadow
WLL	40kg
D1	4.80m
D2	1.49m
D3	1.47m
	1.49m
kg	13.70kg

G2050	Wide Base Hi-Combo
G205001	Shadow
WLL	40kg
D1	5.12m
D2	1.83m
D3	1.75m
	1.83m
kg	15.30kg

G2051	Wide Base Hi-Hi-Combo
G205101	Shadow
WLL	40kg
D1	6.70m
D2	1.89m
D3	1.75m
	1.89m
kg	17.10kg



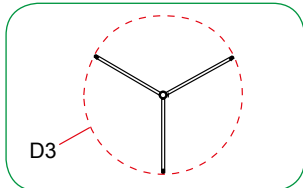
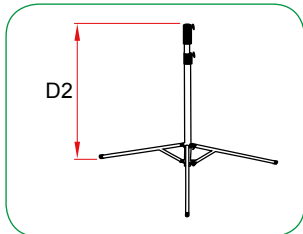
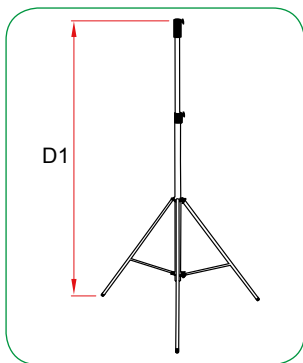
Baby Roller	
G2070	Chrome
G207001	Shadow
WLL	30kg
D1	2.14m
D2	1.17m
D3	1.04m
	1.34m
kg	9.95kg

Baby Hi Roller	
G2071	Chrome
G207101	Shadow
WLL	30kg
D1	3.14m
D2	1.28m
D3	1.04m
	1.45m
kg	11.30kg

Junior Roller	
G2075	Chrome
G207501	Shadow
WLL	40kg
D1	3.50m
D2	1.47m
D3	1.55m
	1.59m
kg	15.80kg

Junior Hi Roller	
G2076	Chrome
G207601	Shadow
WLL	40kg
D1	4.61m
D2	1.53m
D3	1.55m
	1.65m
kg	17.10kg

- Low profile ultra wide base
- Fitted with multihead
- Fully locking 100mm castors supplied as standard
- Heavy duty chrome and polished aluminium finish
- Die cast aluminium 'lock off' knobs
- Internal spring dampers
- No finger trap between castings
- Shadow range available



G2080	Overhead
G208001	Shadow
WLL	40kg
D1	4.52m
D2	1.48m
D3	1.50m
	1.48m
kg	12.80kg

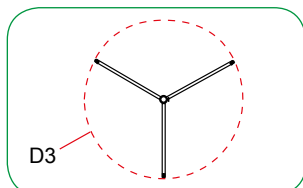
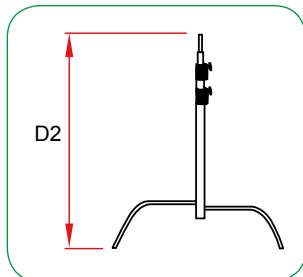
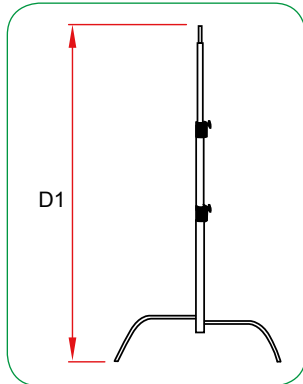
G2081	Hi-Overhead
G208101	Shadow
WLL	40kg
D1	6.37m
D2	1.89m
D3	1.50m
	1.89m
kg	15.20kg

G2085	Roller Overhead
G208501	Shadow
WLL	40kg
D1	4.61m
D2	1.53m
D3	1.55m
	1.65m
kg	15.30kg

G2086	Hi-Roller
G208601	Shadow
WLL	40kg
D1	6.37m
D2	1.89m
D3	1.55m
	2.01m
kg	15.70kg

G2090	Wide Base
G209001	Shadow
WLL	40kg
D1	5.12m
D2	1.83m
D3	1.75m
	1.83m
kg	15.60kg

G2091	Wide Base Hi
G209101	Shadow
WLL	40kg
D1	6.70m
D2	1.89m
D3	1.75m
	1.89m
kg	17.50kg



- Spring loaded folding base
- Sliding leg for uneven surfaces
- Integral 16mm spigot
- Internal spring dampers
- No finger trap between castings

20" C Stand

G2005 Chrome

G200501 Shadow

WLL 10kg

D1 1.70m

D2 0.88m

D3 0.95m

≡ 0.88m

kg 6.20kg

30" C Stand

G2006 Chrome

G200601 Shadow

WLL 10kg

D1 2.50m

D2 1.18m

D3 0.95m

≡ 1.18m

kg 6.80kg

40" C Stand

G2007 Chrome

G200701 Shadow

WLL 10kg

D1 3.26m

D2 1.39m

D3 0.95m

≡ 1.39m

kg 8.00kg

60" C Stand

G2008 Chrome

G200801 Shadow

WLL 10kg

D1 4.80m

D2 1.90m

D3 0.95m

≡ 1.90m

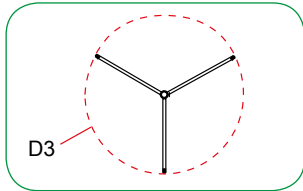
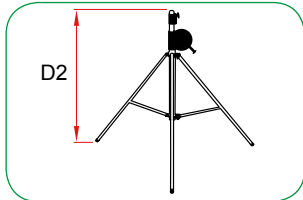
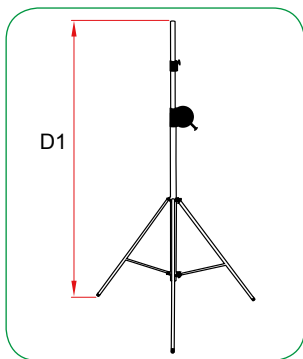
kg 8.80kg




29mm Receiver
fitted to all
Nebula stands




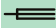
Shadow = Black

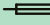


- Slimline self-braking winch
- Robust steel and aluminium construction
- Internal and external safety stops
- Non slip rubber feet
- Double leg braces
- Die cast 'lock off' knobs

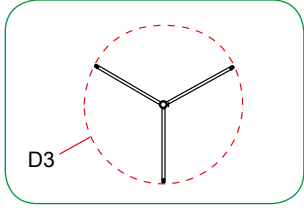
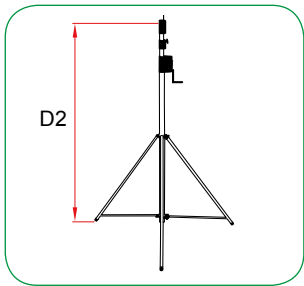
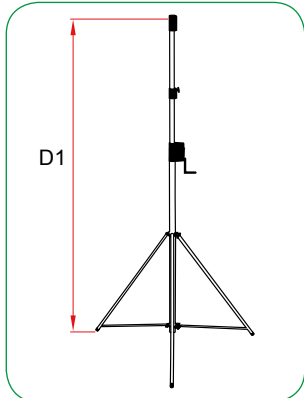
Nebula 20	
T55110	Chrome
T55111	Shadow
WLL	60kg
D1	2.24m
D2	1.31m
D3	1.06m
	1.31m
kg	11.00kg

Nebula 33	
T55200	Chrome
T55201	Shadow
WLL	60kg
D1	3.30m
D2	1.70m
D3	1.47m
	1.70m
kg	13.00kg

Nebula 42	
T55500	Chrome
T55501	Shadow
WLL	60kg
D1	4.20m
D2	2.10m
D3	1.75m
	2.31m
kg	17.00kg

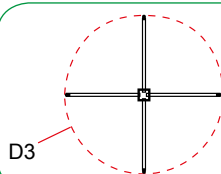
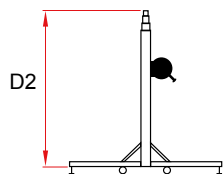
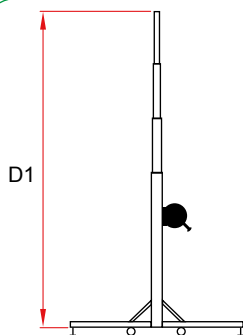
Easylift	
T55510	Chrome
T55511	Black
WLL	30kg
D1	3.80m
D2	1.74m
D3	1.24m
	1.86m
kg	22.00kg

- Accepts 16 & 28 mm spigots
- Unique auto safety lock
- Self braking clutch/winch
- Fold away winch handle



T50503 Castor Kit (Easylift)





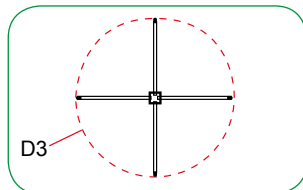
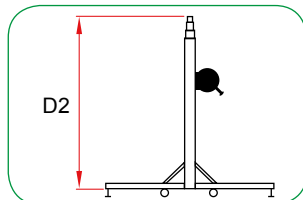
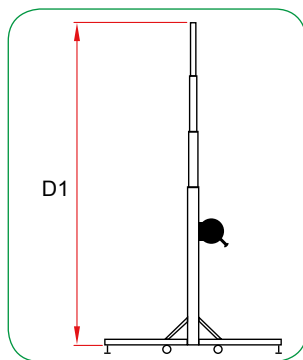
- Four sections giving a low loading height
- A unique self locking system
- Single person operation
- Accepts standard 28mm spigots
- Powder coated finish

Strata Mk II Winch Stand

T55567

Strata 515R

WLL	150kg
D1	5.22m
D2	1.73m
D3	1.96m
—	1.85m
kg	47.00kg

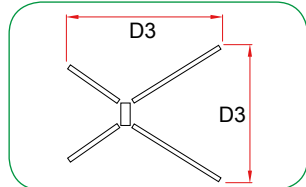
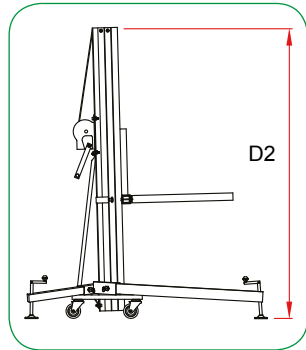
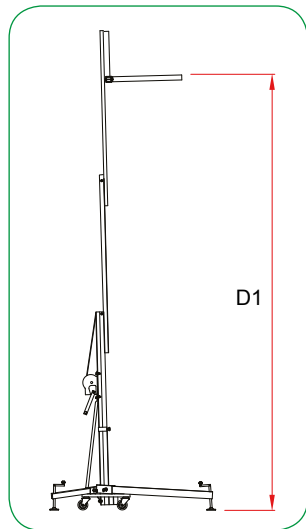


- Four sections giving a low loading height
- A unique self locking system
- Single person operation
- Accepts standard 28mm spigots
- Powder coated finish



Zenith MkIV Truss Lift

T55580	Zenith 520R	T55590	Zenith 620R
WLL	200kg	WLL	200kg
D1	5.37m	D1	6.23m
D2	1.85m	D2	2.06m
D3	2.15m	D3	2.15m
	1.85m		2.06m
kg	93.50kg	kg	99.50kg

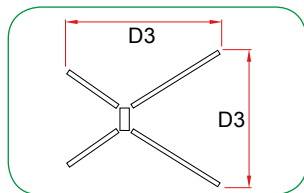
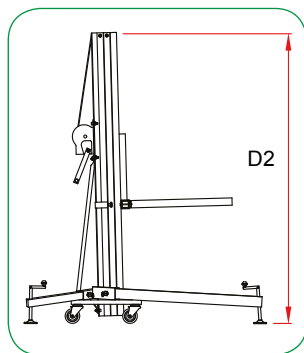
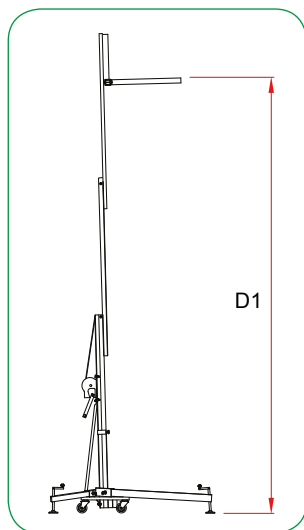


Pegasus 550

T55600

WLL	220kg
D1	5.45m
D2	1.7m
D3	2.0m
kg	87.00kg

Note: The WLL stated is with the center of the load 250mm from the mast face. The WLL decreases as the load moves away from the mast. See the manual or data sheet for full details.

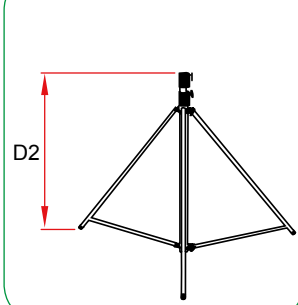
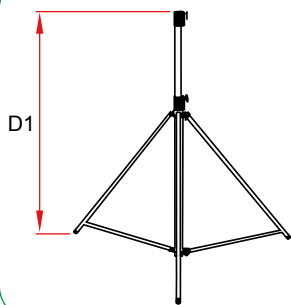


Pegasus 650

T55610

WLL	240kg
D1	6.5m
D2	2.0m
D3	2.2m
kg	114.00kg

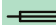
Note: The WLL stated is with the center of the load 250mm from the mast face. The WLL decreases as the load moves away from the mast. See the manual or data sheet for full details.

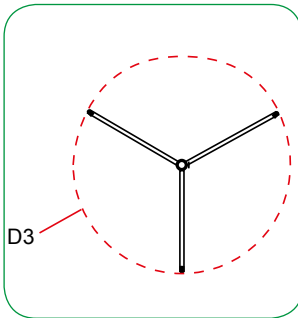


TV Roller Race
T74200 Euro spec

T51700 Followspot

T51701 Shadow

WLL	40kg
D1	1.41m
D2	0.88m
D3	1.06m
	1.03m
kg	5.90kg



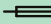


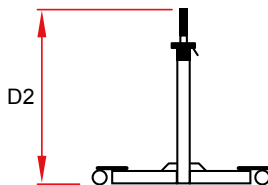
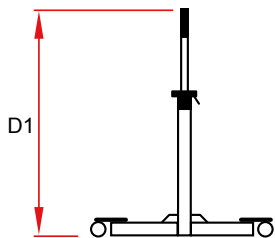
29mm Receiver



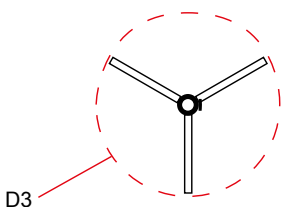
Professional Followspot

T54402

WLL	75kg
D1	1.30m
D2	0.76m
D3	0.88m
	0.73m
kg	20.00kg



T72700 Euro spec



- High degree of stability
- Rapidly dismantled for transportation
- Positive lock height adjustment
- Suitable for use with a variety of followspots
- Steel and aluminium construction
- Black powder coated finish

Spigots

A complete range of spigots and adaptors for use in studios, theatres and entertainment venues.

Universal standards of 28mm and 16mm spigots and adaptors manufactured from chromed plated steel and polished aluminium.

All spigots are supplied to Euro specification unless otherwise stated.

Special spigots are available on request.





T74300 - M10 Steel
 T74302 - M10 Aluminium
 T74301 - M12 Steel
 T74303 - M12 Aluminium



T74700 - M10 Steel
 T74705 - M10 Aluminium
 T74710 - M12 Steel
 T74500 - M12 Aluminium



T73000 - M10 Steel
 T73100 - M12 Steel

Female TV Spigot

Euro Spec

D1	115mm
D2	M10/M12
D3	40mm
D4	Ø28mm
D5	4mm
D6	30mm
kg	0.50kg

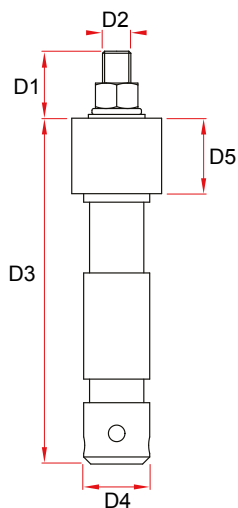
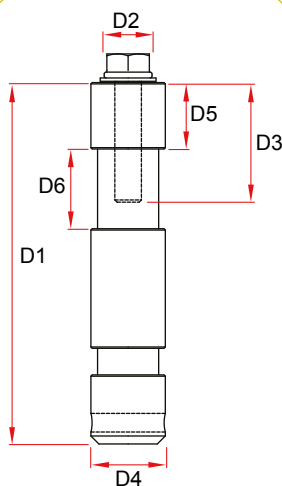
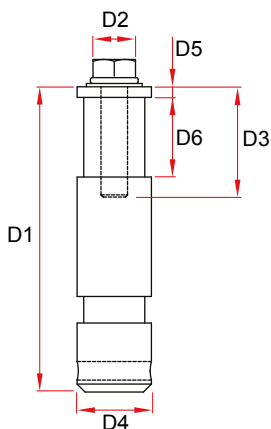
Female TV Spigot

Long Shank

D1	136mm
D2	M10/M12
D3	40mm
D4	Ø28mm
D5	25mm
D6	30mm
kg	0.59kg

TV Spigot

D1	28mm
D2	M10/M12
D3	147mm
D4	Ø28mm
D5	32mm
kg	0.79kg





T73102 - M10
T73103 - M12



T72700



T74200

Spigot Cap

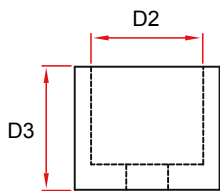
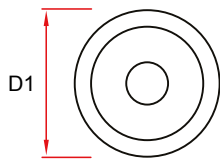
D1	Ø38.1mm
D2	Ø29mm
D3	32mm
kg	0.14kg

TV Spigot with Followspot Plate

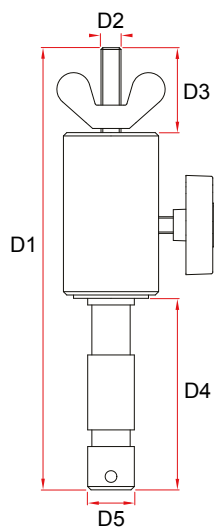
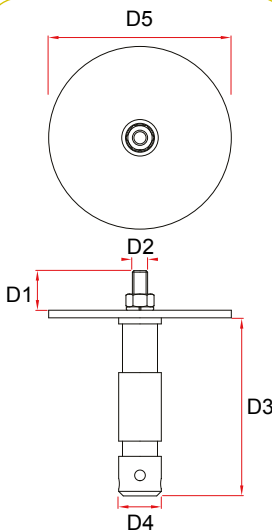
D1	26mm
D2	M10
D3	117mm
D4	Ø28mm
D5	120mm
kg	0.97kg

Roller Race TV Spigot

D1	265mm
D2	M12
D3	51mm
D4	115mm
D5	Ø28mm
kg	2.5kg



M10 - 11mm
M12 - 13mm





T74400



T73400 - M10 Aluminium
T73401 - M10 Steel
T73500 - M12 Aluminium
T73501 - M12 Steel

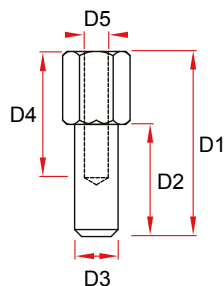
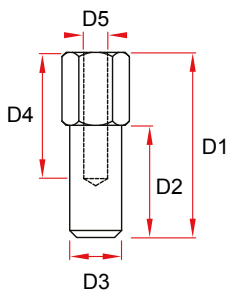
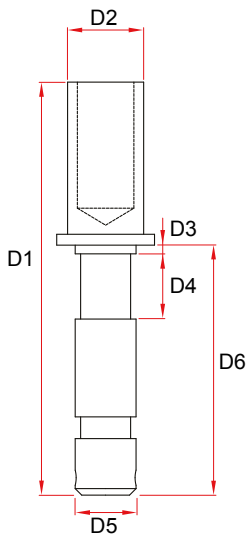


T73350 - M10 Female Aluminium
T73360 - M12 Female Aluminium

35mm Speaker Spigot	
D1	190mm
D2	Ø35mm
D3	4mm
D4	30mm
D5	Ø28mm
D6	115mm
kg	0.76kg

Standard Spigot	
D1	66mm
D2	40mm
D3	Ø19mm
D4	45mm
D5	M10/M12
kg	0.13kg

Female 16mm Spigot	
D1	66mm
D2	40mm
D3	Ø16mm
D4	45mm
D5	M10/M12
kg	0.04kg





T73900 - Steel



T73370 - M8 Female Aluminium
T73380 - M10 Female Aluminium



T73390 - M10 Female Aluminium
T73391 - M6 Female Aluminium
T73392 - M12 Female Aluminium

Mini Spigot (16mm)

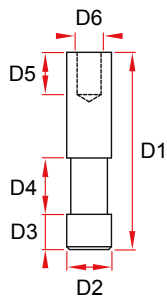
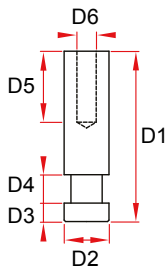
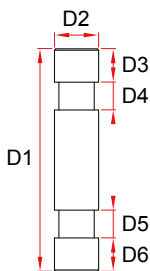
D1	80mm
D2	Ø16mm
D3	12mm
D4	10mm
D5	10mm
D6	12mm
kg	0.11kg

Female 16mm Solo Spigot

D1	60mm
D2	Ø16.0mm
D3	6.5mm
D4	10mm
D5	25mm
D6	M8/M10
kg	0.03kg

16mm 'Beamer' Spigot

D1	70mm
D2	Ø16mm
D3	12.5mm
D4	20mm
D5	15mm
D6	M6/M10/M12
kg	0.03kg





G1188 - Stainless steel



G1198 - Steel
G1199 - Aluminium



G1196 - Steel
G1195 - Aluminium

16mm Spigot (Male)

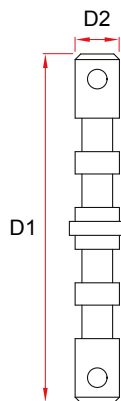
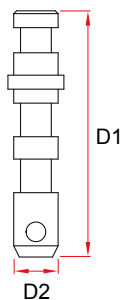
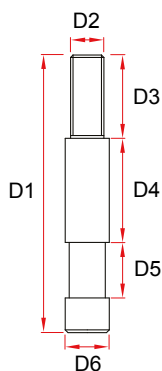
D1	100mm
D2	M12
D3	30mm
D4	37.5mm
D5	20mm
D6	Ø16mm
kg	0.02kg

Spigot 16 x 16mm Lighting

D1	88mm
D2	Ø16mm
kg	0.11kg

Spigot 16 x 16mm Grip

D1	125mm
D2	Ø16mm
kg	0.15kg



3 Point Receiver

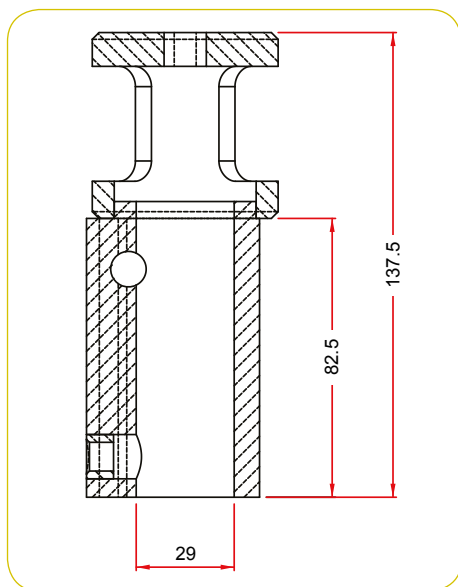
Manufactured from high tensile aluminium and designed with a leading TV/Grip supplier, the 3 Point Receiver has been carefully designed to incorporate the following safety points:

1. A 6mm diameter pin designed to take the initial load quickly and safely
2. Our standard sword pin which allows 360° rotation
3. A Doughty knob which enables the luminaire to be locked at a chosen point of rotation

T84300 - Black

T84310 - Silver

WLL 100 kg



The 3 Point Receiver has a WLL of 100kg and accepts 28mm (1 $\frac{1}{8}$ " spigots of either Euro or DIN spec.

This receiver can be factory fitted to the majority of our aluminium clamp range and is also fitted to pantographs as standard.

There is a 12mm mounting hole for use with clamps and two 6mm holes for other applications.

Receivers can be fitted by an Authorised Service Agent.

The 3 Point Receiver is also a key part of our Studio Rail System fitted to the 6 wheel carriages.

Available either powder coated black or as polished aluminium.



T74100 - 29mm x 16mm
T74000 - 29mm x 19mm



T73800



T74307 - M10
T74308 - M12

Adaptor TV

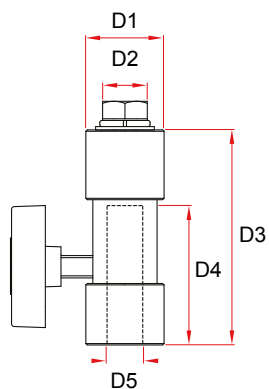
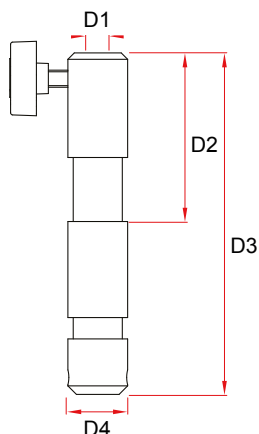
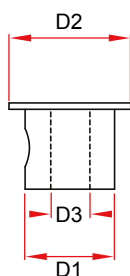
D1	Ø28mm
D2	Ø38.1mm
D3	Ø16.5 - 19.5mm
kg	0.90kg

Reducer 28 x 16mm

D1	Ø16.5mm
D2	80mm
D3	160mm
D4	Ø28mm
kg	0.60 g

Adaptor TV Standard

D1	Ø28mm
D2	M10 or M12
D3	77mm
D4	50mm
D5	Ø16.5mm
kg	0.33kg





G1190 - Steel
G1191 - Aluminium



G1189

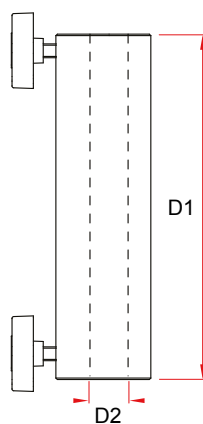
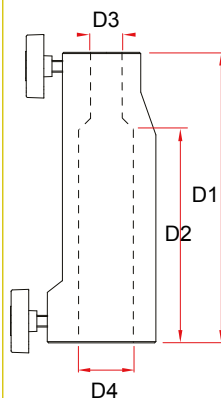
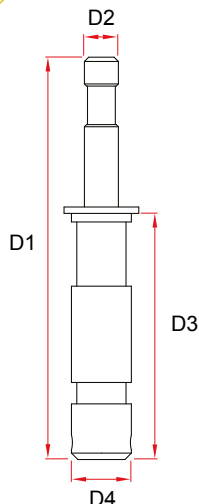
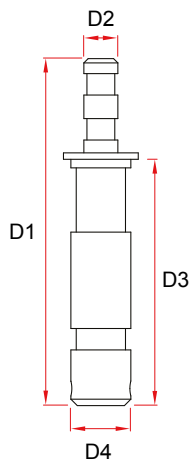


G1002
29mm x 16mm



G1003
16mm x 16mm

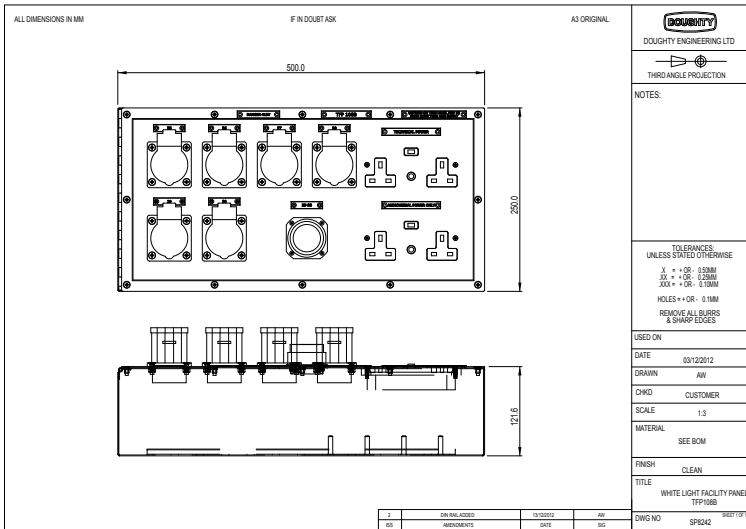
Lighting Spigot		Stand Adaptor		Socket Adaptor		Socket Adaptor	
28 x 16mm		28 x 16mm		29 x 16mm		16 x 16mm	
D1	162mm	D1	188mm	D1	170mm	D1	145mm
D2	Ø16mm	D2	Ø16mm	D2	120mm	D2	Ø16.5mm
D3	115mm	D3	115mm	D3	Ø16.5mm	kg	0.34kg
D4	Ø28mm	D4	Ø28mm	D4	Ø29mm		
kg	0.56kg	kg	0.60kg	kg	0.43kg		



Bespoke Facility Panels

We manufacture high quality bespoke Facility Panels and Production Lighting Boxes in our UK factory and are happy to liaise with theatre consultants to ensure optimum realisation of designs or concepts.

Full production drawings featuring all components are produced for each panel, for client approval prior to production, saving time and ensuring total satisfaction.

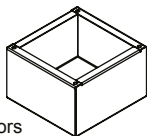


Standard Boxes

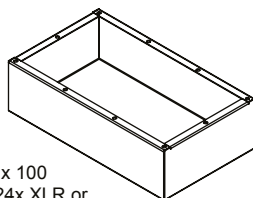
Standard Boxes are manufactured to the same exacting standards as our Bespoke panels, featuring fully seam welded 1.2mm construction, Satin Black powder paint finish and fitted with M4 nut-serts.

Front panels can be laser profiled with any connector type. If you wish to design your own panels, CAD files with blank front panels and a large selection of connector cut-outs are available upon request.

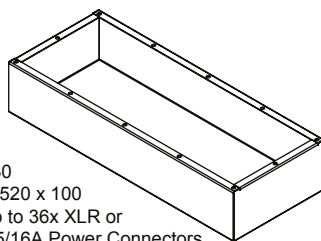
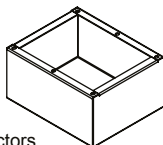
T78100
165 x 160 x 100
For up to 6x XLR or
1x 15/16A Power Connectors



T78125
210 x 360 x 100
For up to 24x XLR or
8x 15/16A Power Connectors

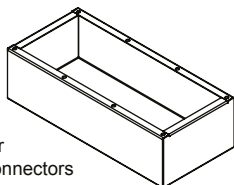


T78105
165 x 200 x 100
For up to 8x XLR or
2x 15/16A Power Connectors

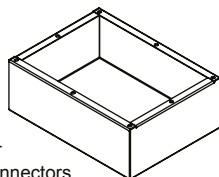


T78130
210 x 520 x 100
For up to 36x XLR or
12x 15/16A Power Connectors

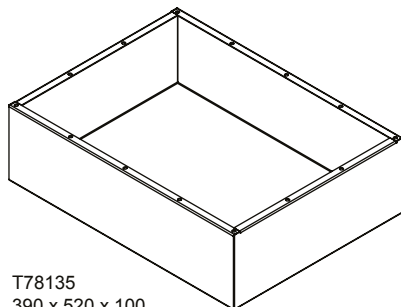
T78115
165 x 360 x 100
For up to 16x XLR or
4x 15/16A Power Connectors



T78120
210 x 280 x 100
For up to 18x XLR or
6x 15/16A Power Connectors



T78135
390 x 520 x 100
For up to 84x XLR or
24x 15/16A Power Connectors



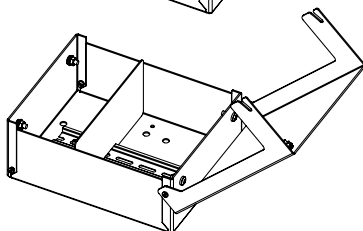
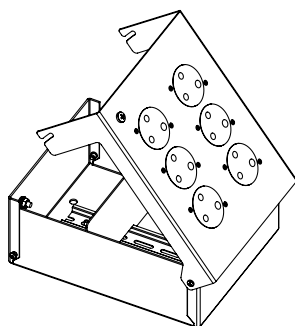
TOUGHBOX

Toughboxes are a modern evolution of the traditional Facility Panel or Socket Outlet Box.

The Toughbox construction allows for a hinge to be integrated into the front panel, and two returns create a very rigid socket mounting. The hinge can be specified on either side, or at the bottom or top of the panel, (Bespoke Panels). This hinge enables quicker on-site socket termination, and reduces potential cable strain in the process.

Bespoke Toughboxes can be specified to whatever size the application dictates, and are available with engraved labels, crash and tie bars, segregation plates, special paint finishes to list but a few options. Please contact us with any specialist applications, we are happy to discuss any ideas you may have.

Standard Toughboxes offer a variety of Power and Signal Outlets, and are available with or without connectors. Standard Toughboxes also feature a range of mounting holes in the back box, including holes to accept 'U'-bolts for barrel mounting, and Unistrut bolt holes for ceiling mounting.



Standard Toughboxes

T78210	Platform Termination Box	
T78225	8 x XLR	
T78230	8 x XLR	no connectors
T78235	6 x 15A	
T78240	6 x 15A	no connectors

Internally Wired Bars

The Doughty Internally Wired Bar range features a unique extruded side mounted terminal box allowing increased access. Sockets are mounted in tough injection moulded ABS socket boxes.

A full range of sockets is held in stock to ensure an efficient service is maintained. Physical Segregation is available for Data Connections etc.

All IWBs are made to order and we are able to offer a bespoke service to a customer's requirements.

Built and tested to the following standards:

- Low voltage directive (2006/95/EC)
- EN60065
- BS EN60059
- BS 7906-1:2003

Working Load Limits:

- 78kg uniformly distributed between 2 metre suspension points
- 39kg point load between 2 metre suspension points





13 Amp Socket



15 Amp Socket



16 Amp Socket



XLR



RJ45



Schuko



Special Boxes



Socapex Termination



Engraved Labeling



Extruded Side Mounted Terminal Box



Mini Bar

Studio Rail 60

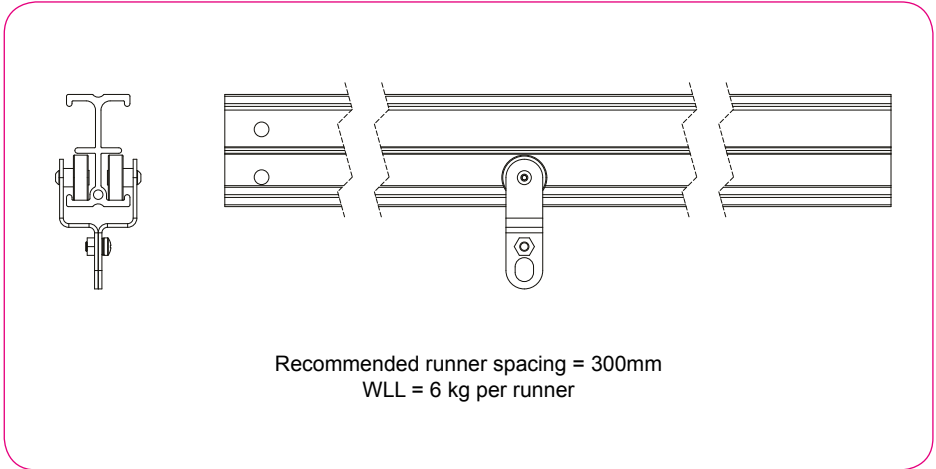
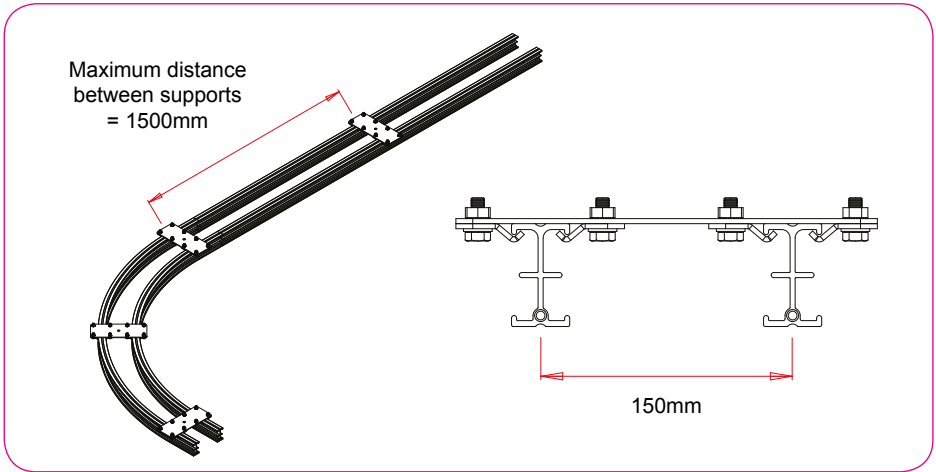
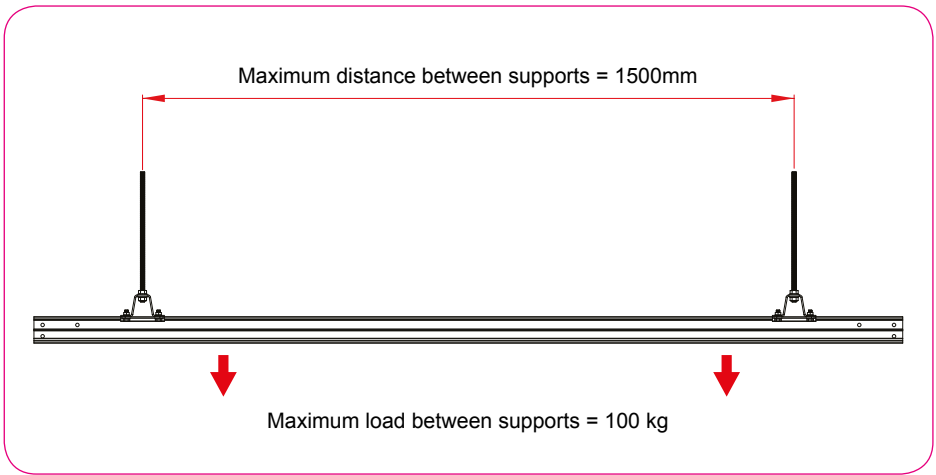
Studio Rail 60 is an extruded aluminium rail available with all the components necessary for a comprehensive overhead studio rail system.

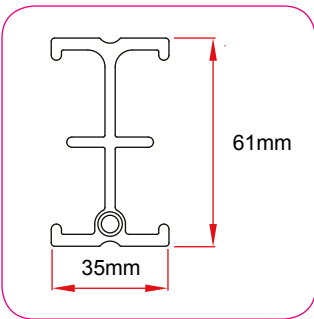
Available in a choice of natural aluminium or black anodised finish, Studio Rail features a unique joint pin system which aids rail alignment and installation.

Studio Rail is available in straight lengths from two to six metres and six standard radius curves with special curves made to order.

As with most Doughty products Studio Rail is manufactured in house. We hold an extensive range in stock for rapid delivery and are able to offer bespoke designs and components to suit individual customer requirements.







Straight Track

Silver			Black		
T84000	2m	2.90kg	T84035	2m	2.90kg
T84005	3m	4.30kg	T84040	3m	4.30kg
T84010	4m	5.80kg	T84045	4m	5.80kg
T84015	6m	8.60kg	T84050	6m	8.60kg

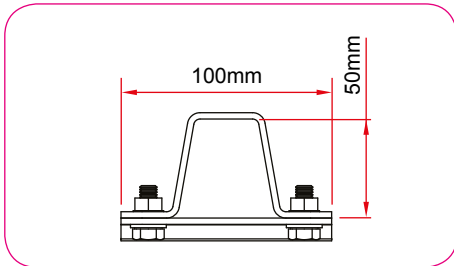
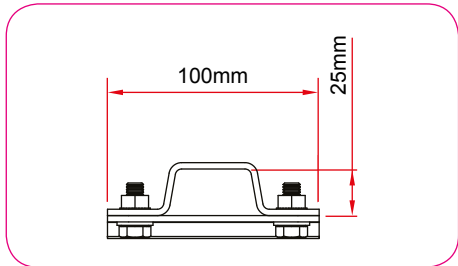
Radii measured to centre of rail allowing 150mm rail centres with multiple rail systems.

Each curve has a 150mm straight lead in to aid assembly.

Special curves available on request.

Curved Track 90°

Silver			Black		
T84017	R=75cm	2.15kg	T84052	R=75cm	2.15kg
T84018	R=90cm	2.49kg	T84053	R=90cm	2.49kg
T84019	R=105cm	2.83kg	T84054	R=105cm	2.83kg
T84020	R=120cm	3.18kg	T84055	R=120cm	3.18kg
T84025	R=135cm	3.51kg	T84060	R=135cm	3.51kg
T84030	R=150cm	3.85kg	T84065	R=150cm	3.85kg



Ceiling Bracket (25mm)

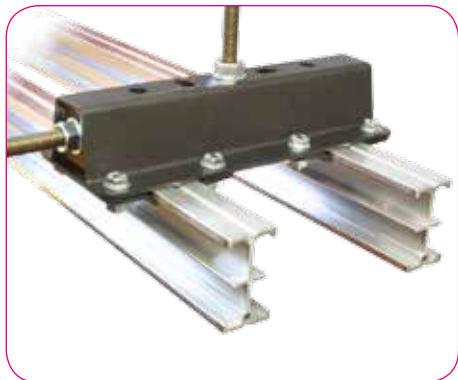
T84120	0.52kg
WLL	100kg

Accepts M10 or M12 fixings.
Supplied with Rail Clamps.

Ceiling Bracket (50mm)

T84121	0.60kg
WLL	100kg

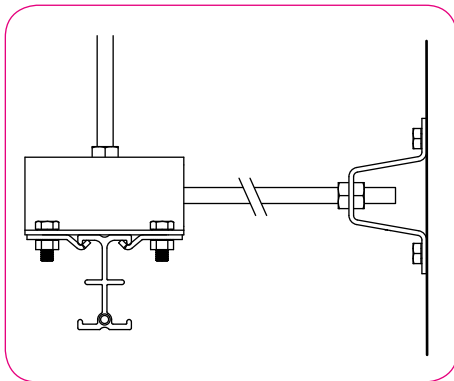
Accepts M10 or M12 fixings.
Supplied with Rail Clamps.

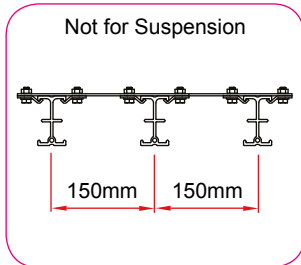
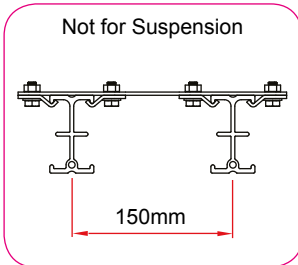
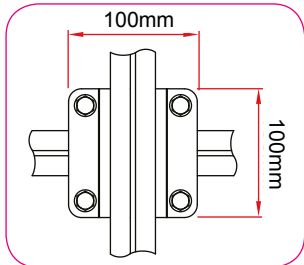


Ceiling Bracket with Wall Tie option

T84116	Single Rail Bracket	WLL 100kg
T84117	Double Rail Bracket	WLL 100kg
T84118	Triple Rail Bracket	WLL 100kg

Ideal for suspending twin or triple cyclorama rails. Can also be used to steady grids or cyclorama rails suspended on long stud drops.





90° Crossover Bracket

T84130	0.65kg
WLL	100kg

Supplied with 4 x Rail Clamps.

Spacer Plate (Double Rail)

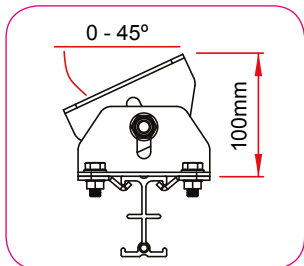
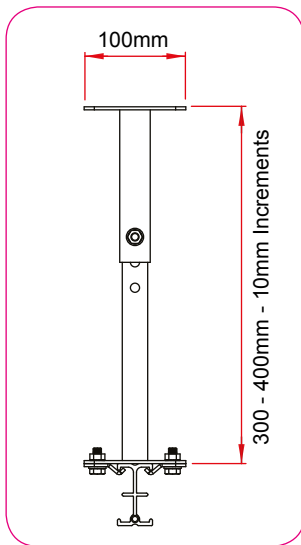
T84110	1.00kg
WLL	N/A

Supplied with 4 x Rail Clamps

Spacer Plate (Triple Rail)

T84115	1.30kg
WLL	N/A

Supplied with 6 x Rail Clamps.



Extension Bracket

T84165	0.90kg
WLL	100kg

Supplied with Rail Clamps.

Extension Bracket

T84160	1.35kg
WLL	100kg

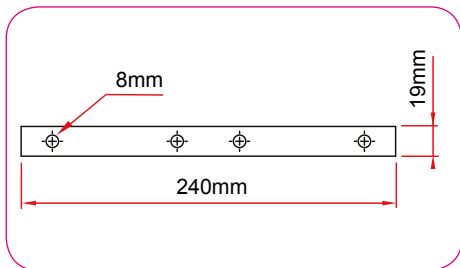
Adjustable. Supplied with Rail Clamps.



Studio Rail Spare Joint Pins x 5

T84075 0.04kg

The Joint Pins aid assembly and rail alignment.



Studio Rail Joiner Kit

T84070 Silver 0.20kg

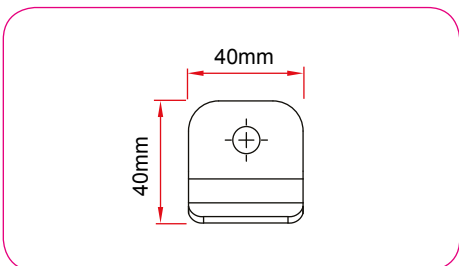
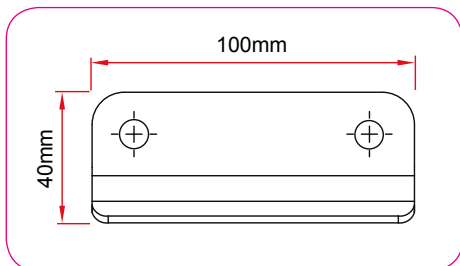
T84071 Black 0.20kg

Supplied with Joint Pin.

Studio Rail End Stops x 4

T84080 0.13kg

A pair of nylon end stops, supplied as 4 sets.



Studio Rail Clamps x 2

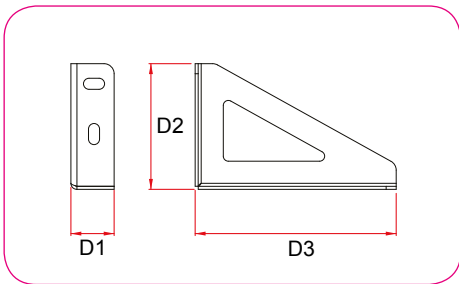
T84085 0.17kg

A pair of steel rail clamps can be used to clamp rail directly to a solid surface.

Studio Rail 40mm Clamps x 2

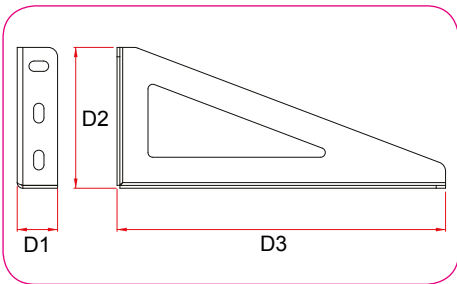
T84086 0.17kg

A pair of steel rail clamps can be used to clamp rail directly to a solid surface.



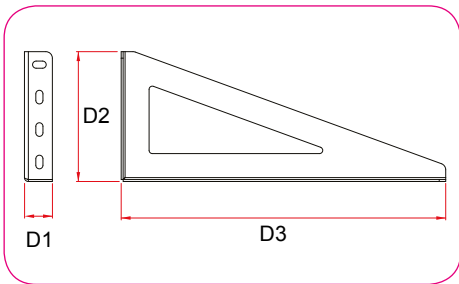
	WLL	D1	D2	D3	kg
T84105	25kg	43mm	125mm	200mm	0.55kg

Can be used with T84120 Ceiling Bracket.



	WLL	D1	D2	D3	kg
T84106	25kg	43mm	150mm	350mm	0.90kg

Can be used with T84120 Ceiling Bracket.



	WLL	D1	D2	D3	kg
T84107	25kg	43mm	200mm	500mm	1.50kg

Can be used with T84120 Ceiling Bracket.



Cable Car x 5

T84220

WLL 6kg

Steel frame with bearings.



Curtain Car x 5

T84225

WLL 6kg

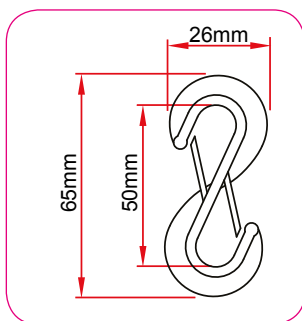
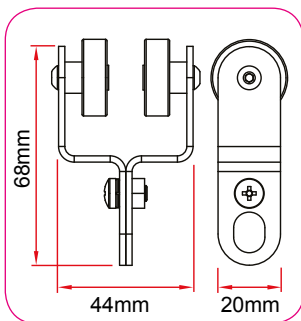
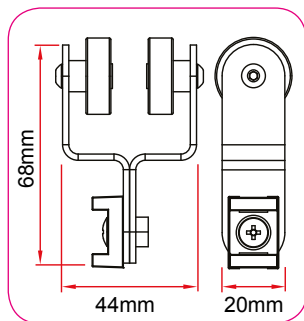
Steel frame with bearings.

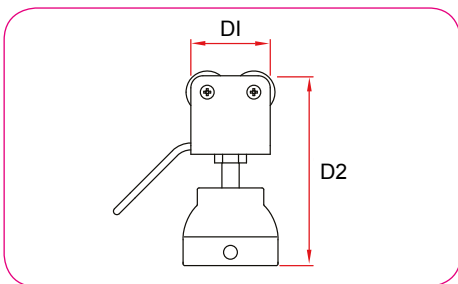


Nylon Twin Hook

T63796

WLL 6kg

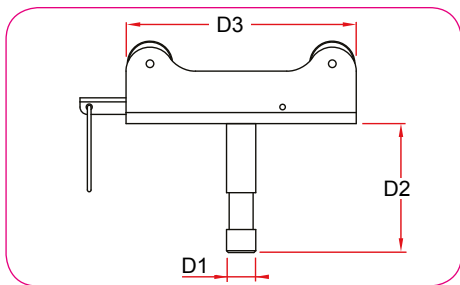




Cupped Curtain Brake

	WLL	D1	D2	kg
T84230	N/A	45mm	110mm	0.35kg

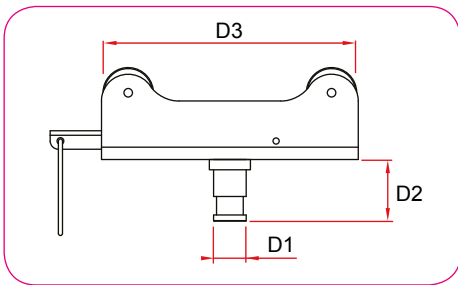
Predominantly used to anchor each end of a curtain.



4 Wheel Car (fitted with 5/8" spigot) (brake)

	WLL	D1	D2	D3	kg
T84185	50kg	16mm	70mm	125mm	0.50kg

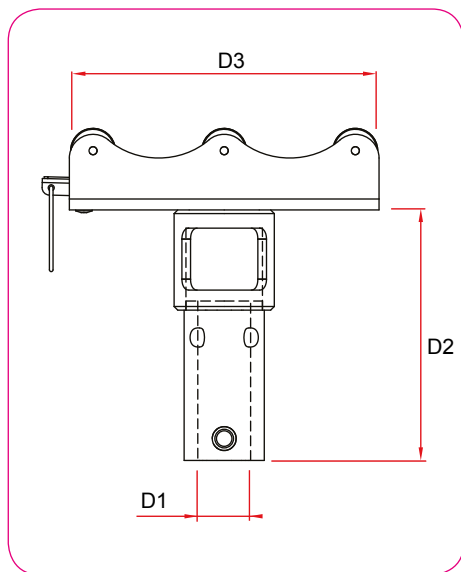
Designed to accept a 16mm receiver and fitted with a friction brake as standard.



4 Wheel Car (fitted with 5/8" mini spigot) (brake)

	WLL	D1	D2	D3	kg
T84186	50kg	16mm	30mm	125mm	0.45kg

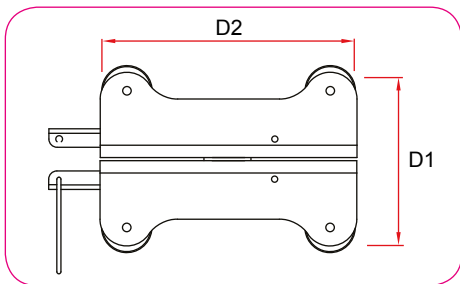
Designed to accept a 16mm receiver and fitted with a friction brake as standard.



6 Wheel Car 28mm Receiver Carriage

	WLL	D1	D2	D3	kg
T84205	100kg	29mm	138mm	170mm	1.10kg

A 6 wheel car fitted with a brake and 3 point 28mm receiver.

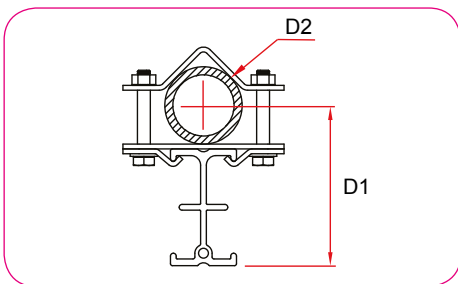


4 Wheel Double Swivel Car (brake)

	WLL	D1	D2	D3	kg
T84215	75kg	85mm	125mm	N/A	0.90kg

The double swivel carriage enables two rails to be mounted on top of one another. Ideal for use where two parallel rails are installed with cross rails to suspend the luminaires etc.





Studio Rail to Tube Bracket

	WLL	D1	D2	kg
T84180	100kg	100mm	48 - 51mm	0.80kg

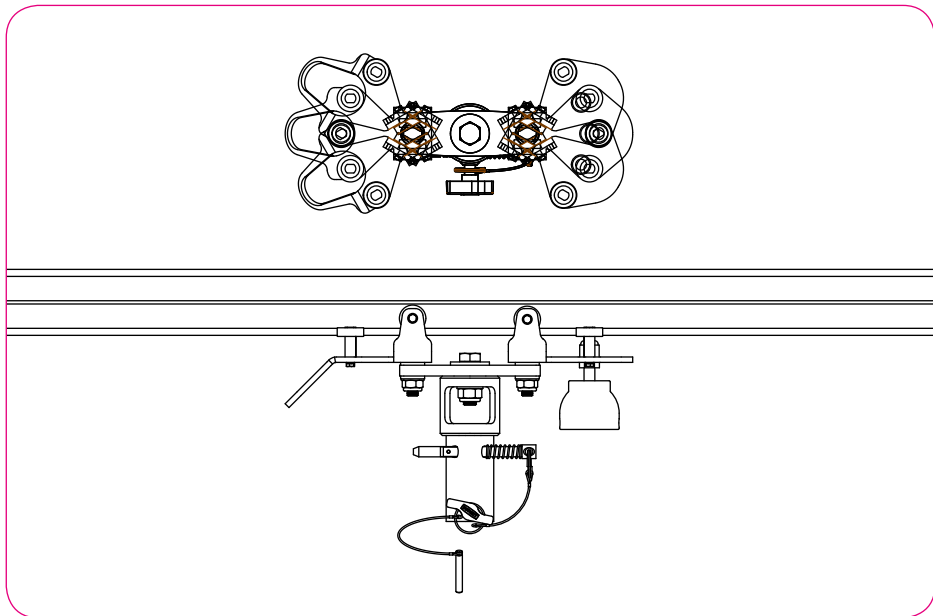
This bracket enables Studio Rail to be mounted to 48 - 51mm diameter tubes. Supplied with rail clamps.



Studio Rail Swivel Arm

T84515	Supplied fitted to a 6 wheel carriage	Working Load up to 25kg
T84516	Supplied with Ø25mm x 2m black tube	Working Load up to 25kg

Fitted to a 6 wheel carriage with friction brake the Swivel Arm's position can easily be adjusted on a length of Studio Rail. The Swivel Arm enables 360° positioning of leg / wing curtains or light scenery traditionally used to aid masking of wing space on stage from audience sight lines.



Studio Rail Articulated Carriage

T84217

WLL 200kg

The Studio Rail Articualted Carriage can used with any size radius curves.

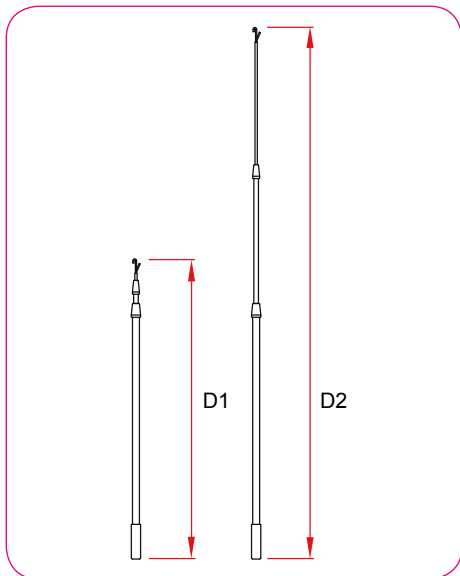


Studio Rail Drilling Jig

T84260

0.26kg

A CNC machined aluminum jig fitted with hardened drill bushes. This jig enables the installer to drill the joint holes in any cut pieces of rail accurately ensuring a correctly aligned joint.



Operating Poles

	WLL	D1	D2	D3	kg
T84249	N/A	1600mm	2800mm	N/A	1.00kg
T84250	N/A	2000mm	3700mm	N/A	1.20kg
T84251	N/A	2100mm	4600mm	N/A	1.40kg
T84252	N/A	2100mm	5500mm	N/A	1.80kg
T84253	N/A	2750mm	7400mm	N/A	2.20kg

A lightweight telescopic anodised aluminium operating pole fitted with a replaceable hook.

Studio Rail 80

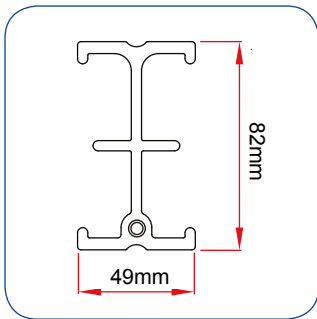
Studio Rail 80 is an extruded aluminium rail available with all the necessary components required to install a comprehensive overhead studio rail system.

Studio Rail 80 features a unique joint pin system which aids rail alignment and installation.

Studio Rail 80 is available in straight lengths from two to six metres and six standard radius curves with special curves made to order.

As with most Doughty products Studio Rail 80 is manufactured in house. We hold an extensive range in stock for rapid delivery and are able to offer special bespoke designs and components to customer requirements.





Straight Rail

Silver			Black		
T85000	2m	2.90kg	T85035	2m	2.90kg
T85005	3m	4.30kg	T85040	3m	4.30kg
T85010	4m	5.80kg	T85045	4m	5.80kg
T85015	6m	8.60kg	T85050	6m	8.60kg

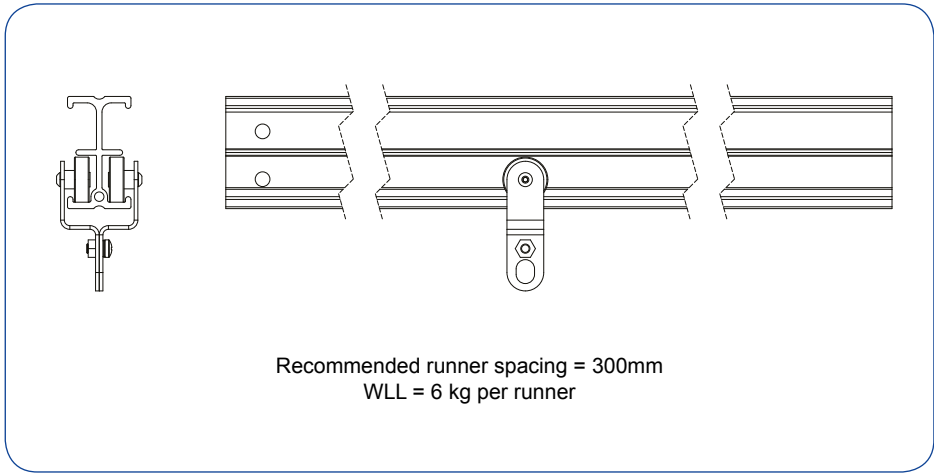
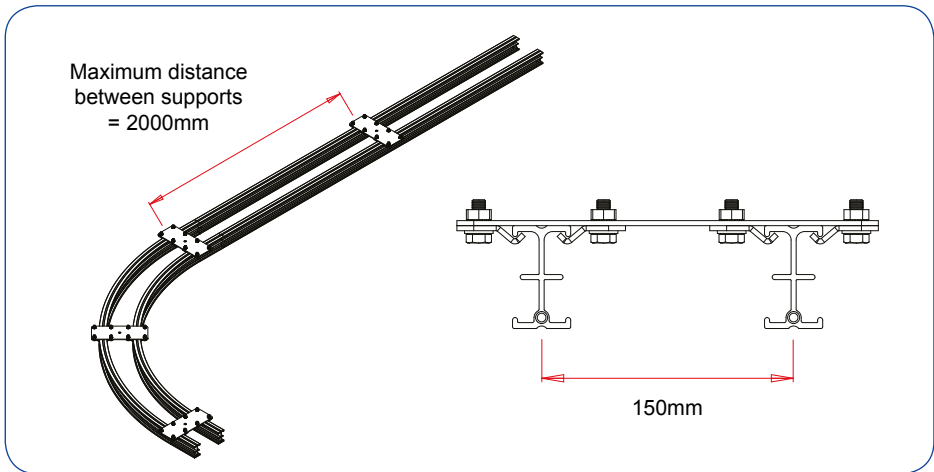
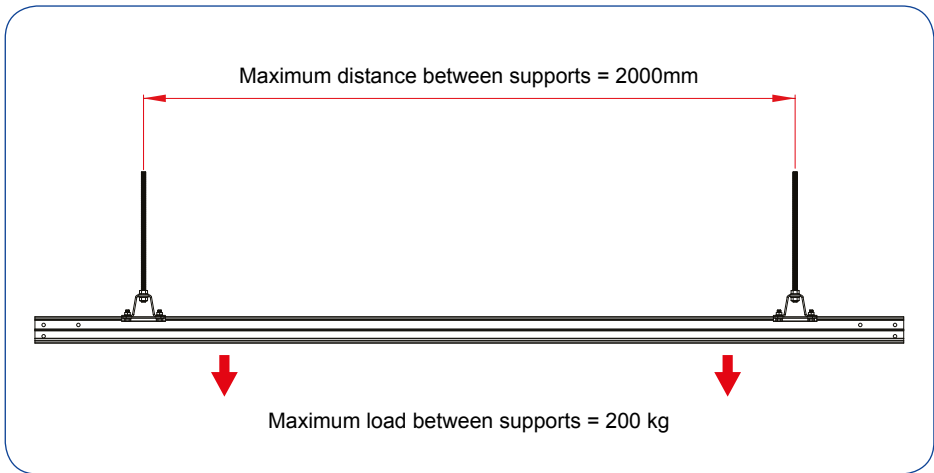
Radii measured to centre of rail allowing 150mm rail centres with multiple rail systems.

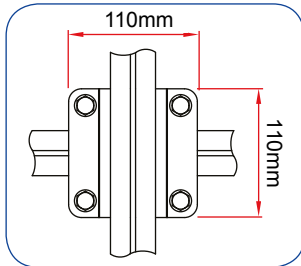
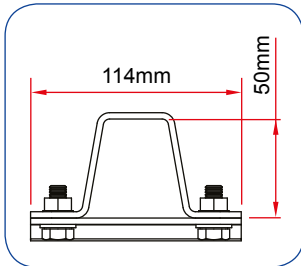
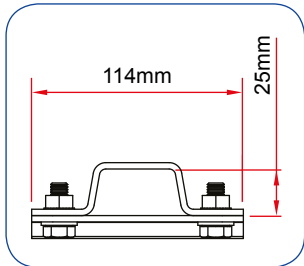
Each curve has a 150mm straight lead in to aid assembly.

Special curves available on request

Curved Track 90°

Silver			Black		
T85017	R=75cm	2.15kg	T85052	R=75cm	2.15kg
T85018	R=90cm	2.49kg	T85053	R=90cm	2.49kg
T85019	R=105cm	2.83kg	T85054	R=105cm	2.83kg
T85020	R=120cm	3.18kg	T85055	R=120cm	3.18kg
T85025	R=135cm	3.51kg	T85060	R=135cm	3.51kg
T85030	R=150cm	3.85kg	T85065	R=150cm	3.85kg





Ceiling Bracket 25mm

T85120	0.60kg
WLL	200kg

Supplied without rail clamps.

Ceiling Bracket 50mm

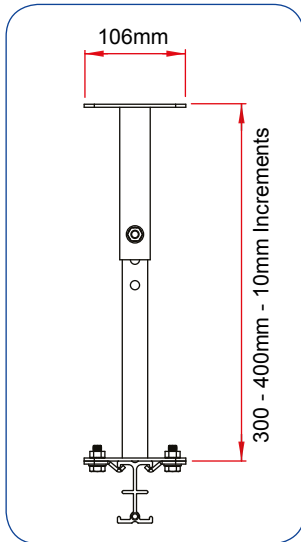
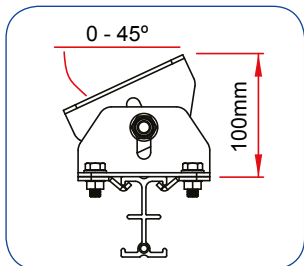
T85121	1.00kg
WLL	200kg

Supplied with rail clamps.

90° Crossover Bracket

T85130	0.65kg
WLL	100kg

Supplied with 4 x rail clamps.



Adjustable Angle Bracket

T85165	0.90kg
WLL	100kg

Supplied with rail clamps.

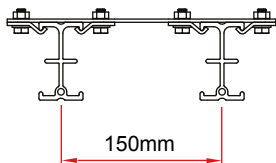
Extension Bracket

T85160	1.35kg
WLL	200kg

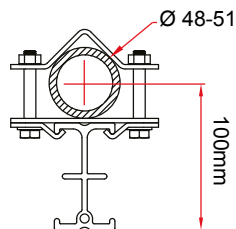
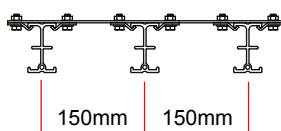
Adjustable. Supplied with rail clamps.



Not for Suspension



Not for Suspension



Spacer Plate (double rail)

T85110	1.00kg
WLL	n/a

Spacer Plate (triple rail)

T85115	1.30kg
WLL	n/a

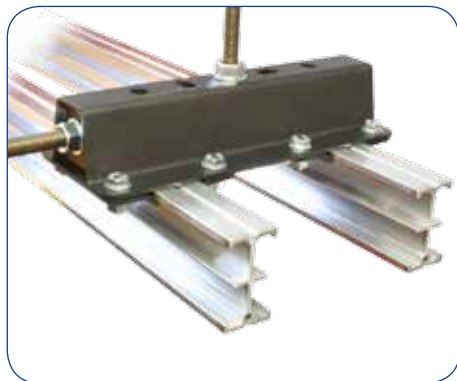
Studio Rail 80 to Tube Bracket

T85180	0.90kg
WLL	100kg

Supplied with rail clamps.

Supplied with rail clamps.

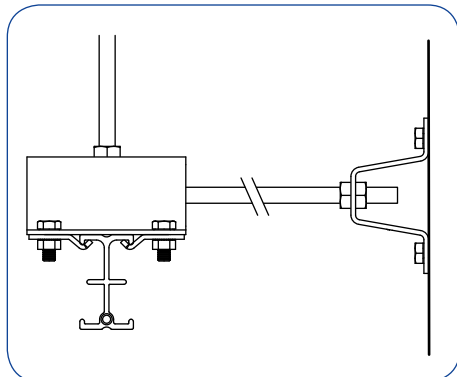
Supplied with rail clamps.

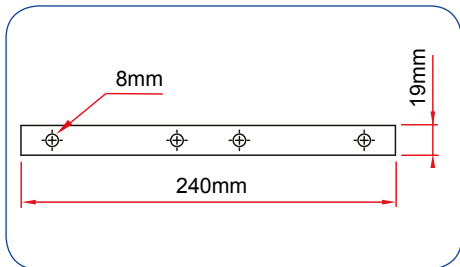


Ceiling Bracket with Wall Tie option

T85116	Single Rail Bracket	WLL 100kg
T85117	Double Rail Bracket	WLL 100kg
T85118	Triple Rail Bracket	WLL 100kg

Ideal for suspending twin or triple cyclorama rails. Can also be used to steady grids or cyclorama rails suspended on long stud drops.





Joiner Kit

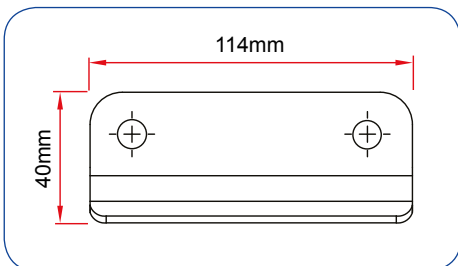
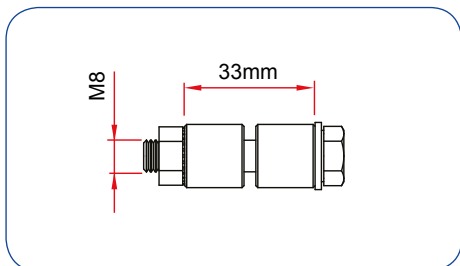
T85070	Silver	0.20kg
--------	--------	--------

Supplied with Joint Pin.

Spare Joint Pins x 5

T85075	0.04kg
--------	--------

The Joint Pins aid assembly and rail alignment.



End Stops x 4

T85080	0.13kg
--------	--------

A pair of nylon end stops, supplied as 4 sets.

Clamps x 2

T85085	0.20kg
--------	--------

A pair of steel rail clamps, can be used to clamp rail directly to a solid surface.



Cable Car x 5

T85220

WLL 6kg

Steel frame with bearings



Curtain Car x 5

T85225

WLL 6kg

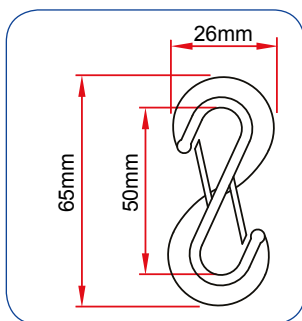
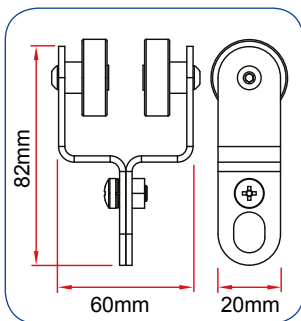
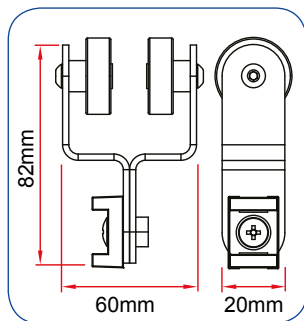
Steel frame with bearings

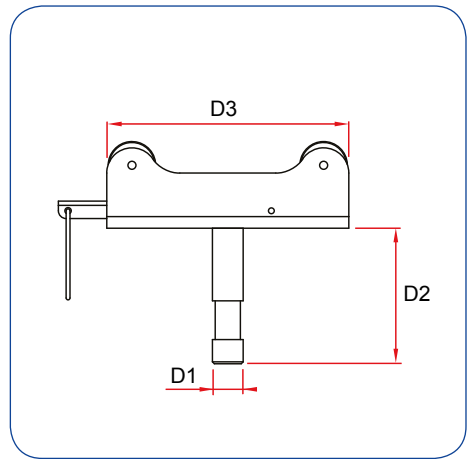


Nylon Twin Hook

T63796

WLL 6kg

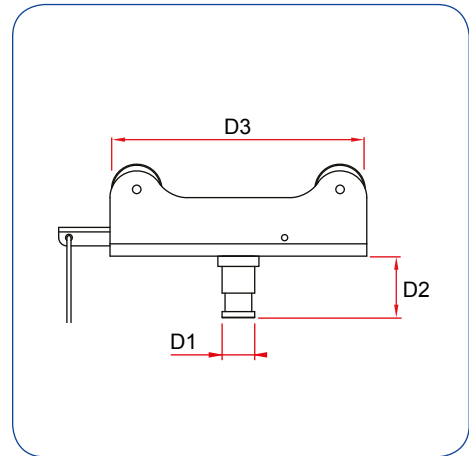




4 Wheel Carriage (fitted with 5/8" spigot) (brake)

	WLL	D1	D2	D3	kg
T85185	200kg	16mm	70mm	159mm	0.60kg

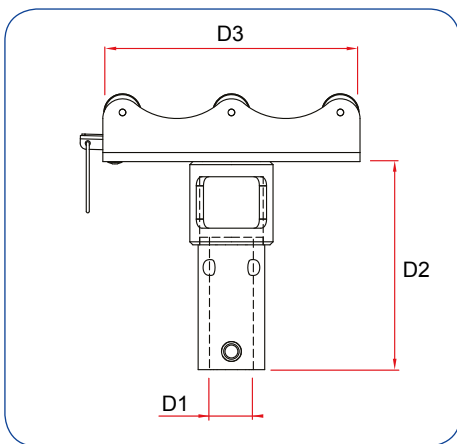
Designed to accept a 16mm receiver and fitted with a friction brake as standard.



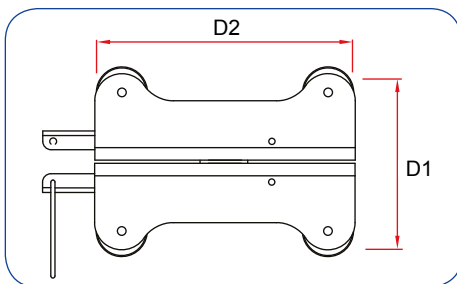
4 Wheel Carriage (fitted with 5/8" mini spigot) (brake)

	WLL	D1	D2	D3	kg
T85186	200kg	16mm	30mm	159mm	0.50kg

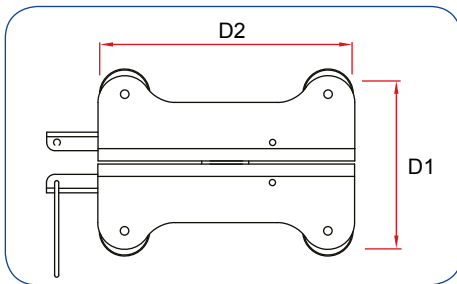
Designed to accept a 16mm receiver and fitted with a friction brake as standard.



6 Wheel Carriage (fitted with 28mm receiver) (brake)					
	WLL	D1	D2	D3	kg
T85205	200kg	29mm	138mm	242mm	1.2kg



4 Wheel Double Swivel Car (brake)				
	WLL	D1	D2	kg
T85215	100kg	159mm	116mm	1.0kg



Studio Rail 80 to Studio Rail 60 Double Swivel Car (brake)				
	WLL	D1	D2	kg
T85217	75kg	159mm	116mm	1.0kg

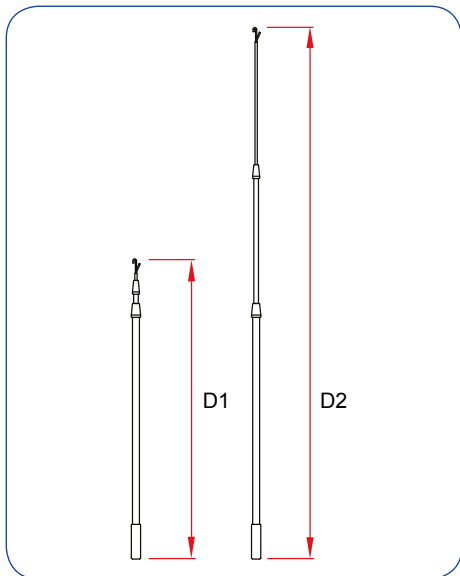


Studio Rail 80 Drilling Jig

T85260

0.26kg

A CNC machined aluminum jig fitted with hardened drill bushes. This jig enables the installer to drill the joint holes in any cut pieces of rail accurately ensuring a correctly aligned joint.



Operating Poles

	WLL	D1	D2	D3	kg
T84249	N/A	1600mm	2800mm	N/A	1.00kg
T84250	N/A	2000mm	3700mm	N/A	1.20kg
T84251	N/A	2100mm	4600mm	N/A	1.40kg
T84252	N/A	2100mm	5500mm	N/A	1.80kg
T84253	N/A	2750mm	7400mm	N/A	2.20kg

A lightweight telescopic anodised aluminium operating pole fitted with a replaceable hook.

Barrel Trolleys

Barrel Trolleys are normally used to suspend Pantographs from fixed or rolling pipe grids and barrel hoists. The new range of lightweight cast aluminium barrel trolleys from Doughty is designed to roll along 48mm diameter tubes. The trolleys are supplied as standard with a socket to accept 28mm TV spigots. Braked and unbraked versions are available in crackle black powder paint.



Barrel Trolley		
	WLL	kg
G1600	75kg	2.5kg

Braked Barrel Trolley		
	WLL	kg
G1642	75kg	2.5kg



Slimline Barrel Trolley		
	WLL	kg
G1605	75kg	2.5kg

Slimline Braked Barrel Trolley		
	WLL	kg
G1645	75kg	2.5kg

Lightweight Pantographs

The Doughty Lightweight Sprung Pantograph is ideal for smaller TV and photographic studios. Supplied in black finish, the Lightweight Pantograph comes in two sizes, 2m and 3m, with a load rating of 3 - 15kg, making it suitable for lightweight luminaires.



Mounting - 16mm Receiver

G1500	2.0m	WLL 3 -15kg
G1501	3.0m	WLL 3 -15kg



Mounting - Studio Rail 60

G1510	2.0m	WLL 3 -15kg
G1511	3.0m	WLL 3 - 5kg

All lightweight pantographs are supplied with a 16mm mini spigot bottom fixing unless requested otherwise.

Standard Pantographs

The Doughty Sprung Pantographs have been designed to be lightweight and compact, with strength, safety and ease of use being the main features. Loads from 5 to 36kg can be suspended from overhead tracks or barrels and quickly positioned with height ranges of 2.2 to 5 metres.



Standard Pantographs				
	Springs	WLL	Length	kg
G1660	2	12kg	2.2m	7.8kg
G1662	2	12kg	3.0m	9.6kg
G1664	2	12kg	4.0m	13.0kg
G1666	2	12kg	5.0m	16.4kg
G1670	3	20kg	2.2m	7.5kg
G1672	3	20kg	3.0m	10.3kg
G1674	3	20kg	4.0m	13.6kg
G1676	3	20kg	5.0m	17.0kg
G1680	4	27kg	2.2m	7.5kg
G1682	4	27kg	3.0m	10.3kg
G1684	4	27kg	4.0m	10.4kg
G1686	4	27kg	5.0m	17.0kg
G1694	5	36kg	4.0m	15.8kg
G1696	5	36kg	5.0m	17.0kg

Lighting Hoists

The Doughty range of Lighting Hoists provides a highly versatile and economical suspension system. Together with our comprehensive range of control systems, specifically designed for the hoists, they provide a fully optimised and easy to use H&S compliant system.

Doughty Lighting Hoists are specified to individual requirements. Please contact our Technical Sales department for more information.

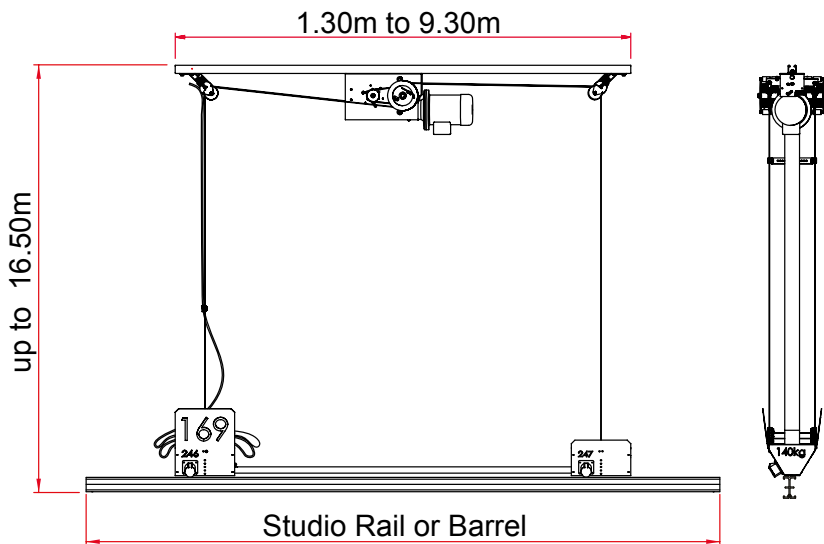
- Flexible modular design aiding maintenance and installation
- Can be fitted with programmable position control allowing hoist to return to memorised position
- Low self weight reduces building costs
- Compact 'closed height' for more height benefit in the studio
- Barrel 'roll past' feature is standard on the system
- Chassis and barrel lengths can be adjusted on-site to accommodate late building alterations.

Lighting Hoist Controller

- Single metal wall mounted enclosure
- Raise and lower buttons
- Emergency stop mushroom switch
- Power indicator light
- Antichatter circuitry as required by hoist
- Tamperproof cases available on request.



Shown in a lockable tamperproof case.



Standard Hoist Spec

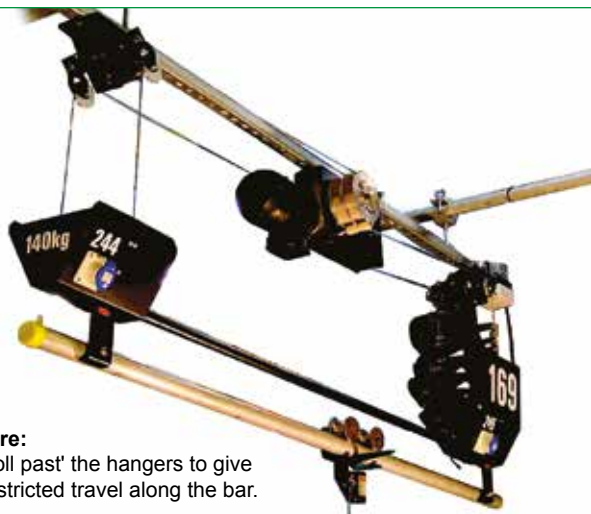
- 4 wire ropes
- Maximum load 140kg
- Maximum drop up to 16.5m
- Chassis length 1.3 to 3.3m
- Barrel diameter 48.3mm aluminium or steel 1.3 to 5m
- Typical self weight 70kg

Special Hoist Spec

- 4, 6 or 8 wire ropes
- Maximum load up to 200kg
- Hoist length up to 9.3m
- Barrel length up to 11m
- Scenery hoist options available

Full range of socket plates are available to suit individual requirements including audio, video, DMX and technical power. Platform, round and special cables can be used.

Sensors: overload, slack rope, rope break on each rope, top and bottom travel limits, with ultimate travel limits.



Roll Past Feature:

Barrel trolleys 'roll past' the hangers to give completely unrestricted travel along the bar.

Index by Part No

Part No	Page	Part No	Page	Part No	Page
G1000.....	219	G1188.....	257	G1664.....	291
G1001.....	219	G1189.....	260	G1666.....	291
G1002.....	260	G1190.....	260	G1670.....	291
G1003.....	260	G1191.....	260	G1672.....	291
G1104.....	220	G1195.....	257	G1674.....	291
G1106.....	220	G1196.....	257	G1676.....	291
G1108.....	220	G1197.....	218	G1680.....	291
G1110.....	220	G1198.....	257	G1682.....	291
G1113.....	220	G1199.....	257	G1684.....	291
G1114.....	220	G1200.....	209	G1686.....	291
G1115.....	49	G120001.....	209	G1694.....	291
G111501.....	49	G1210.....	209	G1696.....	291
G1128.....	142	G121001.....	209	G2005.....	243
G1128.....	218	G1220.....	209	G200501.....	243
G1129.....	142	G1221.....	210	G2006.....	243
G1129.....	218	G1230.....	210	G200601.....	243
G1140.....	211	G1235.....	210	G2007.....	243
G1141.....	211	G1240.....	210	G200701.....	243
G1142.....	211	G1245.....	210	G2008.....	243
G1147.....	211	G1250.....	210	G200801.....	243
G1150.....	204	G1255.....	210	G2016.....	216
G1155.....	204	G1260.....	209	G2020.....	215
G1160.....	203	G130.....	212	G202001.....	215
G1160.....	210	G1305.....	213	G2021.....	215
G116001.....	203	G1310.....	212	G202101.....	215
G116001.....	210	G1315.....	212	G2022.....	215
G1165.....	206	G1320.....	213	G202201.....	215
G1166.....	206	G1330.....	212	G2023.....	215
G1167.....	206	G1335.....	212	G202301.....	215
G1168.....	206	G1340.....	212	G2024.....	215
G1169.....	206	G1345.....	213	G2025.....	215
G1170.....	206	G1405.....	142	G2030.....	239
G1171.....	207	G1405.....	218	G203001.....	239
G1172.....	207	G1415.....	218	G2031.....	239
G1173.....	207	G1500.....	290	G203101.....	239
G1174.....	207	G1501.....	290	G2035.....	239
G1175.....	207	G1510.....	290	G203501.....	239
G1176.....	207	G1511.....	290	G2036.....	239
G1177.....	205	G1600.....	289	G203601.....	239
G1178.....	205	G1605.....	289	G2040.....	239
G1179.....	205	G1642.....	289	G204001.....	239
G1180.....	205	G1645.....	289	G2045.....	239
G1181.....	205	G1660.....	291	G204501.....	239
G1182.....	205	G1662.....	291	G2046.....	240

Part No	Page	Part No	Page	Part No	Page
G204601.....	240	T12500.....	165	T18250.....	171
G2050.....	240	T12600.....	166	T19100.....	173
G205001.....	240	T12700.....	166	T19200.....	173
G2051.....	240	T12800.....	165	T19300.....	173
G205101.....	240	T12900.....	166	T194002S.....	162
G2060.....	229	T13000.....	168	T194003.....	157
G206001.....	229	T13100.....	167	T194005.....	156
G2070.....	241	T13200.....	167	T194005E.....	156
G207001.....	241	T13300.....	163	T194006.....	156
G2071.....	241	T13300.....	172	T194007.....	157
G207101.....	241	T13301.....	163	T194007E.....	157
G2075.....	241	T13301.....	172	T194009.....	157
G207501.....	241	T13400.....	168	T194010.....	158
G2076.....	241	T13500.....	169	T194011.....	158
G207601.....	241	T13800.....	168	T194011E.....	158
G2080.....	242	T14000.....	168	T194012.....	158
G208001.....	242	T14300.....	167	T194013.....	158
G2081.....	242	T14400.....	167	T194013E.....	158
G208101.....	242	T14500.....	167	T194014S.....	162
G2085.....	242	T14600.....	167	T194016.....	163
G208501.....	242	T14700.....	169	T194017ADJ.....	161
G2086.....	242	T14800.....	169	T194017EM.....	160
G208601.....	242	T14900.....	165	T194017S.....	162
G2090.....	242	T15800.....	166	T194017SM.....	162
G209001.....	242	T16000.....	169	T194019.....	161
G2091.....	242	T16100.....	169	T194020.....	163
G209101.....	242	T16500.....	169	T194021-35.....	160
G2201.....	228	T16700.....	171	T194021-45.....	160
G2201.....	228	T16700M.....	170	T194022S.....	162
G3015.....	221	T16800.....	171	T194023.....	161
G3016.....	221	T16800M.....	170	T194025.....	161
G3018.....	221	T16900.....	170	T194027.....	161
G3301.....	221	T16900M.....	170	T194030C.....	161
G3501.....	227	T17000.....	171	T194042.....	159
G3502.....	227	T17100.....	171	T194045.....	159
G3503.....	227	T17300.....	171	T194046.....	159
G3504.....	227	T17300F.....	170	T194046ADJ.....	159
G3505.....	227	T17300M.....	170	T194050.....	160
G3506.....	227	T17600.....	166	T194054/3.....	160
ST57000.....	16	T17620.....	172	T194055.....	160
ST57001.....	16	T17621.....	172	T194070.....	157
ST57100.....	16	T17622.....	172	T194100.....	163
T10100.....	165	T17625.....	172	T194102.....	163
T10400.....	165	T17629.....	172	T194104.....	159
T11600.....	165	T17900.....	168	T194106E.....	157
T11900.....	166	T18200.....	168	T194122.....	163

Part No	Page	Part No	Page	Part No	Page
T194595	159	T2181001	96	T29700	83
T19700	97	T22001	115	T29800	84
T19800	97	T23490	102	T29801	84
T19900	97	T23500	102	T29804	83
T19905	97	T23505	102	T29805	83
T19910	97	T23510	102	T29806	83
T20000	95	T24000	151	T29810	84
T20100	91	T2400001	152	T29850	85
T20101	91	T24001	151	T29860	85
T20102	92	T24002	151	T29870	86
T20103	96	T2400201	152	T30100	155
T2010301	96	T24003	151	T30101	155
T20104	91	T2400301	152	T30300	78
T2010401	91	T24004	151	T30400	77
T20105	92	T2400401	152	T30401	77
T2010501	92	T24010	153	T30402	77
T20107	91	T24015	153	T30404	77
T2010701	91	T24050	151	T30405	76
T20200	95	T2405001	152	T30406	76
T20201	95	T24800	154	T30407	76
T20210	94	T24801	154	T30408	75
T20212	94	T24900	154	T30409	75
T20301	95	T24901	154	T30410	75
T20400	92	T24905	155	T30500	79
T20401	92	T25000	155	T30501	79
T20405	94	T25100	155	T30600	79
T20500	97	T25108	155	T30601	79
T20600	97	T2510801	155	T30700	80
T20700	97	T25150	155	T30800	77
T20705	97	T28000	103	T30801	77
T20710	97	T28001	103	T30804	77
T20900	93	T28025	103	T30806	77
T20901	93	T28050	103	T30900	80
T20910	98	T28075	103	T31000	80
T21000	102	T2840001	115	T31500	79
T21100	93	T2841001	115	T31501	79
T21101	93	T2844001	115	T31600	79
T21500	98	T2844501	115	T31601	79
T21600	98	T2849001	115	T31700	79
T21700	98	T2870001	103	T31701	79
T21705	98	T28865	87	T32000	78
T21710	98	T28870	88	T32001	78
T21800	93	T28875	89	T32002	78
T21801	93	T29497	82	T32100	78
T21805	96	T29498	82	T32102	78
T2180501	96	T29500	84	T32103	78
T21810	96	T29600	84	T32400	80

Part No	Page	Part No	Page	Part No	Page
T32500	80	T38802	101	T41800	124
T33300	148	T38900	101	T41850	126
T33310	148	T38902	101	T41860	126
T33400	80	T39000	101	T41870	126
T33500	80	T39002	101	T41900	124
T33600	80	T39100	112	T41902	124
T33700	150	T39101	113	T41904	124
T3370001	150	T39200	112	T42000	100
T33800	148	T39201	113	T42001	100
T33900	148	T39300	112	T42100	100
T34000	150	T39301	113	T42101	100
T34100	150	T39400	112	T42200	100
T37500	99	T39401	113	T42201	100
T37600	99	T39500	99	T42202	100
T37650	106	T39600	99	T42300	100
T37651	106	T39700	100	T42301	100
T37652	107	T39701	100	T42302	100
T37653	106	T39702	100	T42303	100
T37654	107	T39800	100	T42305	100
T37655	107	T39801	100	T42307	100
T37656	106	T39802	100	T42500	100
T37660	108	T39900	100	T42501	100
T37661	108	T39901	100	T42502	100
T37662	109	T39902	100	T42600	99
T37663	108	T40000	125	T42700	99
T37664	109	T400001	125	T42800	117
T37665	109	T40100	125	T42801	117
T37666	108	T401001	125	T42812	117
T37680	110	T40200	125	T42813	117
T37681	110	T402001	125	T42814	117
T37682	111	T40300	125	T42820	117
T37683	110	T403001	125	T42821	117
T37684	111	T40400	125	T42822	117
T37686	110	T404001	125	T42823	117
T38000	101	T40500	125	T42824	117
T38100	101	T405001	125	T42830	117
T38101	101	T40600	125	T42831	117
T38200	101	T406001	125	T42833	117
T38201	101	T41000	124	T42834	117
T38400	101	T41100	124	T42836	117
T38401	101	T41200	124	T42837	117
T38500	101	T41300	124	T42838	117
T38501	101	T41400	124	T42839	117
T38600	101	T41500	124	T42840	117
T38700	101	T41600	124	T42846	117
T38800	101	T41700	124	T42847	117

Part No	Page	Part No	Page	Part No	Page
T42848	117	T42955	121	T45752	71
T42849	117	T42979	123	T45755	72
T42850	117	T42980	123	T45756	72
T42855	117	T42981	123	T45757	70
T42856	117	T42982	123	T45758	70
T42857	117	T42983	123	T45760	66
T42858	117	T42984	122	T45761	66
T42859	117	T42985	122	T45765	66
T42860	118	T42986	122	T45765	66
T42861	118	T42987	122	T45767	67
T42865	118	T42988	122	T45768	67
T42870	118	T42989	122	T45770	65
T42872	118	T42990	122	T45771	65
T42885	119	T42995	122	T45775	65
T42886	119	T42997	123	T45776	65
T42897	119	T42998	123	T45780	65
T42898	119	T42999	123	T45781	65
T42899	119	T43000	234	T45785	65
T42901	121	T43001	234	T45786	65
T42902	121	T43003	234	T45790	65
T42903	121	T43100	234	T45791	65
T42904	121	T43101	234	T45795	68
T42905	121	T43103	234	T45796	68
T42911	121	T43200	234	T45797	68
T42912	121	T43201	234	T45798	68
T42913	121	T43203	234	T45800	73
T42914	121	T44450	214	T45801	73
T42915	121	T44460	214	T45810	73
T42921	121	T44470	214	T45811	73
T42922	121	T44475	214	T45815	73
T42923	121	T44500	214	T45816	73
T42924	121	T44640	214	T45820	73
T42925	121	T44645	214	T45821	73
T42931	121	T44650	214	T45825	73
T42932	121	T45400	217	T45826	73
T42933	121	T45500	217	T45830	73
T42934	121	T45600	217	T45831	73
T42935	121	T45610	217	T45850	72
T42941	121	T45612	217	T45851	72
T42942	121	T45614	217	T45855	72
T42943	121	T45616	217	T45856	72
T42944	121	T45618	217	T45900	69
T42945	121	T45725	216	T45901	69
T42951	121	T45745	70	T45910	69
T42952	121	T45747	70	T45911	69
T42953	121	T45750	71	T49200	236
T42954	121	T45751	71	T49300	236

Part No	Page	Part No	Page	Part No	Page
T49400	236	T54155	144	T57100	9
T49465	236	T54175	228	T57102	9
T49470	236	T54200	142	T57104	9
T49475	236	T54250	139	T57110	9
T50500	228	T54255	139	T57112	9
T50502	228	T54260	140	T57114	9
T50503	245	T54265	141	T57120	8
T50600	230	T54266	141	T57121	8
T50700	230	T54402	251	T57200	8
T50810	233	T54410	145	T57201	8
T50811	233	T54420	146	T57203	12
T50812	233	T55110	244	T57204	12
T50813	233	T55111	244	T57205	12
T50814	233	T55200	244	T57206	12
T50820	142	T55201	244	T57207	12
T50820	231	T55500	244	T57208	12
T50825	142	T55501	244	T57210	59
T50825	231	T55510	245	T57211	59
T50830	142	T55511	245	T57214	60
T50830	231	T55567	246	T57219	60
T50835	142	T55580	247	T57220	233
T50835	231	T55590	247	T57223	11
T50900	231	T55600	248	T57224	11
T50901	231	T55610	249	T57225	10
T51000	232	T55704	58	T5722501	10
T51100	232	T55705	58	T57230	14
T51700	250	T55710	60	T57235	11
T51701	250	T55715	60	T57236	11
T51900	238	T55720	61	T57249	51
T51901	238	T55725	61	T57250	51
T51901	238	T55750	62	T57310	55
T52000	238	T55755	62	T57311	55
T52001	238	T55780	62	T57315	55
T52001	238	T55785	62	T57316	55
T52100	238	T55800	63	T57317	55
T52101	238	T55805	63	T57320	55
T52101	238	T55810	63	T57321	55
T52200	232	T55815	63	T57325	56
T52201	232	T56500	80	T5732501	56
T52600	232	T56600	80	T57340	54
T52800	229	T56800	80	T57345	54
T52900	230	T56900	80	T57350	54
T53000	231	T57000	8	T57355	54
T53100	231	T57001	18	T57360	54
T54100	143	T57010	8	T57365	54
T54150	143	T57011	18	T57370	54

Part No	Page	Part No	Page	Part No	Page
T57375	54	T58109	21	T58515	45
T57400	32	T58110	22	T58516	45
T57401	32	T58111	22	T58540	45
T57405	34	T58115	22	T58541	45
T57406	34	T58116	22	T58600	14
T57410	32	T58119	21	T58601	14
T57411	32	T58120	22	T58605	14
T57415	34	T58121	22	T58606	14
T57416	34	T58122	26	T58700	59
T57420	33	T5812201	26	T58701	59
T57421	33	T58123	26	T58720	52
T57422	35	T5812301	26	T58725	52
T57423	35	T58124	26	T58726	52
T57425	35	T5812401	26	T58728	52
T57426	35	T58125	26	T58729	52
T57426	35	T58126	26	T58730	52
T57430	33	T58130	49	T58731	52
T57431	33	T5813001	49	T58733	52
T57436	35	T58150	39	T58735	51
T57440	33	T58151	39	T58736	51
T57441	33	T58155	39	T58738	51
T57450	32	T58156	39	T58739	51
T57451	32	T58160	39	T58740	51
T57455	34	T58161	39	T58741	51
T57456	34	T58200	41	T58743	51
T57618	55	T58201	41	T58744	51
T58010	18	T58205	41	T58744	52
T58011	18	T58206	41	T58745	52
T58014	18	T58215	41	T58746	52
T58015	18	T58216	41	T58748	52
T58018	19	T58240	41	T58749	52
T58026	19	T58241	41	T58750	51
T58030	19	T58300	43	T58751	51
T58031	19	T58301	43	T58753	51
T58080	24	T58305	43	T58754	51
T58081	24	T58306	43	T58756	50
T58085	24	T58315	43	T58757	50
T58086	24	T58316	43	T58758	50
T58089	24	T58340	43	T58759	50
T58090	24	T58341	43	T58760	50
T58098	24	T58400	5	T58761	50
T58099	24	T58450	30	T58762	50
T58100	21	T58451	30	T58763	50
T58101	21	T58500	45	T58780	48
T58105	21	T58501	45	T58781	48
T58106	21	T58505	45	T58782	48
T58107	21	T58506	45	T58783	48

Part No	Page	Part No	Page	Part No	Page
T58790	50	T5892001	28	T63732	184
T58791	50	T58927	28	T63733	184
T58792	50	T5892701	28	T63734	184
T58793	50	T58970	28	T63735	184
T58795	50	T5897001	28	T63736	184
T58800	28	T58975	29	T63737	184
T58801	28	T5897501	29	T63738	184
T58810	29	T58980	29	T63739	184
T5881001	29	T5898001	29	T63749	188
T58815	29	T58985	29	T63750	188
T5881501	29	T5898501	29	T63751	188
T58820	29	T58990	28	T63752	189
T5882001	29	T5899001	28	T63753	189
T58830	28	T58997	28	T63754	189
T5883001	28	T5899701	28	T63755	187
T58840	28	T59000	135	T63756	187
T5884001	28	T60000	137	T63757	187
T58860	37	T60100	137	T63760	186
T588601	37	T60200	137	T63765	186
T58861	37	T60600	137	T63766	186
T5886101	37	T60900	135	T63770	186
T58862	37	T61100	136	T63775	190
T5886201	37	T61700	128	T63776	190
T58869	37	T61800	128	T63777	190
T5886901	37	T61900	128	T63778	190
T58870	28	T62100	128	T63780	125
T5887001	28	T62500	128	T63780	191
T58875	29	T62501	128	T63785	189
T5887501	29	T62700	128	T63795	191
T58880	29	T62800	128	T63796	187
T5888001	29	T62900	128	T63796	273
T58885	29	T63000	128	T63796	285
T5888501	29	T63400	128	T63820	191
T58887	28	T63500	128	T63825	191
T5888701	28	T63600	128	T63830	191
T58890	28	T63700	128	T63840	192
T5889001	28	T63705	184	T63841	192
T58900	28	T63706	184	T63845	193
T5890001	28	T63707	184	T6384503	193
T58905	29	T63708	184	T63850	193
T5890501	29	T63710	184	T63860	195
T58910	29	T63715	184	T63862	195
T5891001	29	T63726	185	T63865	195
T58915	29	T63727	185	T63908	181
T5891501	29	T63730	184	T63909	181
T58920	28	T63731	184	T63910	181

Part No	Page	Part No	Page	Part No	Page
T63911.....	181	T66200.....	129	T76000.....	197
T63912.....	181	T66300.....	129	T76100.....	197
T63913.....	181	T66400.....	130	T76200.....	197
T63914.....	181	T66500.....	130	T76300.....	197
T63915.....	181	T67000.....	135	T76400.....	197
T63916.....	181	T67200.....	136	T76500.....	197
T63917.....	181	T67300.....	127	T76505.....	198
T63918.....	181	T72700.....	254	T76506.....	198
T63919.....	181	T72800.....	251	T76507.....	198
T63920.....	182	T73000.....	253	T76600.....	197
T63921.....	182	T73100.....	253	T76700.....	197
T63922.....	182	T73102.....	254	T76800.....	198
T63924.....	182	T73103.....	254	T76900.....	200
T63925.....	182	T73350.....	255	T77000.....	200
T63926.....	182	T73360.....	255	T77100.....	199
T63927.....	182	T73370.....	256	T77100.....	200
T63928.....	182	T73380.....	256	T77200.....	202
T63929.....	182	T73390.....	256	T77300.....	201
T63930.....	182	T73391.....	256	T77400.....	201
T63931.....	182	T73392.....	256	T77500.....	202
T63941.....	180	T73400.....	255	T77600.....	202
T63942.....	180	T73401.....	255	T77650.....	202
T63943.....	180	T73500.....	255	T77800.....	199
T63944.....	180	T73501.....	255	T77900.....	199
T63945.....	180	T73800.....	259	T77910.....	199
T63946.....	180	T73900.....	256	T77950.....	201
T63947.....	180	T74000.....	259	T77960.....	201
T63948.....	180	T74100.....	259	T77970.....	201
T63949.....	180	T74200.....	250	T78100.....	262
T63950.....	180	T74200.....	254	T78105.....	262
T63951.....	180	T74300.....	253	T78115.....	262
T63952.....	180	T74301.....	253	T78120.....	262
T64000.....	133	T74302.....	253	T78125.....	262
T64100.....	133	T74303.....	253	T78130.....	262
T64200.....	132	T74307.....	259	T78135.....	262
T64300.....	132	T74308.....	259	T78210.....	263
T64600.....	135	T74400.....	255	T78225.....	263
T64700.....	135	T74500.....	253	T78230.....	263
T64800.....	135	T74700.....	253	T78235.....	263
T64900.....	134	T74705.....	253	T78240.....	263
T65000.....	130	T74710.....	253	T81000.....	175
T65300.....	131	T75000.....	224	T81001.....	175
T65400.....	131	T75010.....	224	T81010.....	175
T65500.....	131	T75020.....	224	T81011.....	175
T65600.....	134	T75050.....	223	T81020.....	175
T65700.....	134	T75055.....	223	T81021.....	175
T66100.....	129	T75080.....	223	T81050.....	175

Part No	Page	Part No	Page		
T81051	175	T84105	272	T84516	276
T81060	175	T84106	149	T85000	280
T81061	175	T84106	272	T85005	280
T81070	175	T84107	149	T85010	280
T81071	175	T84107	272	T85015	280
T81080	175	T84110	270	T85017	280
T81081	175	T84115	270	T85018	280
T81100	176	T84116	269	T85019	280
T81110	176	T84117	269	T85020	280
T81120	176	T84118	269	T85025	280
T81140	177	T84120	269	T85030	280
T81150	177	T84121	269	T85035	280
T81160	177	T84130	270	T85040	280
T81161	177	T84160	270	T85045	280
T81170	176	T84165	270	T85050	280
T81190	176	T84180	276	T85052	280
T81191	176	T84185	274	T85053	280
T81192	176	T84186	274	T85054	280
T81200	176	T84205	275	T85055	280
T84000	268	T84215	275	T85060	280
T84005	268	T84217	277	T85065	280
T84010	268	T84220	273	T85070	284
T84015	268	T84225	273	T85075	284
T84017	268	T84230	274	T85080	284
T84018	268	T84249	278	T85085	284
T84019	268	T84249	288	T85110	283
T84020	268	T84250	278	T85115	283
T84025	268	T84250	288	T85116	283
T84030	268	T84251	278	T85117	283
T84035	268	T84251	288	T85118	283
T84040	268	T84252	278	T85120	282
T84045	268	T84252	288	T85121	282
T84050	268	T84253	278	T85130	282
T84052	268	T84253	288	T85160	282
T84053	268	T84260	278	T85165	282
T84054	268	T84300	258	T85180	283
T84055	268	T84310	258	T85185	286
T84060	268	T84500	138	T85186	286
T84065	268	T84501	138	T85205	287
T84070	271	T84505	138	T85215	287
T84071	271	T84506	138	T85217	287
T84075	271	T84510	138	T85220	285
T84080	271	T84511	138	T85225	285
T84085	271	T84515	138	T85260	288
T84086	271	T84515	276		
T84105	149	T84516	138		

Index by Name

Name	Page	Name	Page
3 Point Receiver	258	F	
3 Position Tank Trap	141	Facility Panels	261
48mm Receivers.....	142	Flag Frames	221
A		Flat Clamp	219
Aluminium Barrel	151	Floor Stands	144
Atom Clamps	27	Flying Irons	132
Atom G Clamps	30	Followspot Rail Mount	145
B		Followspot Stands	250
Baby Arms	212	Frame Clamps	220
Baby Quick Trigger Clamps.....	38	Front Loading Stands	248
Barrel Trolleys.....	289	G	
Beam Clamp.....	86	G Clamps.....	220
Boom Arms (aluminium)	53	Gaffer Clamp	219
Boom Arms (steel)	79	Galvanised Tube.....	153
Bow Shackles	112	Girder Clamps	81
Brace Weights	136	Gobo Arms.....	210
Braced Boom Arm	56	Gravlock Couplers.....	82
C		Grid Hanger	76
C' Stands	243	Grip Equipment.....	208
Cable Grips.....	101	Grip Helper	215
Cable Holder.....	104	Gripheads	209
Castor kits.....	228	Grummetts.....	131
Ceiling Saddle	150	H	
Clews and Cleats.....	124	H' Frames	69
Club Stands	236	Hanging Irons	133
Combo Stands.....	239	Hinges	128
D		Hook Clamps	90
Doughty Clamps	7	Hooks and Eyes	99
Doughty Low Profile Clamps	13	I	
Doughty Rail.....	174	IWB's	264
Drop Arms.....	216	J	
E		Junior Arms.....	212
Easydeck	196	K	
Extension Poles.....	214	Karabiners	103
Eye Bolts	100	Kunckle Joint	204
Eye Nuts.....	100		

Name	Page	Name	Page
L			
Laser Engraving	6	Rope	125
Lever Rope Brake.....	127	Rope Brakes.....	136
Lifting Chain.....	103	S	
Lighting Hoists	292	Saddle Clamps	77
Lightweight Clamps	20	Safety Bonds	114
Lightweight Pantographs	290	Sand Bags	221
Lindapters.....	83	Scaffold Clamps	154
Low Lifts	214	Scissor Clamps.....	85
Lynch Pins	102	Six Track.....	178
M			
Mammoth Clamps	31	Slimline Doughty Clamps	17
Marquee Clamps	87	Slimline Lightweight Clamps.....	23
Modular Rigging System	64	Slimline Quick Trigger Clamps ..	42
N			
Nipper Stands.....	143	Slotted Wall Brackets	149
O			
Overhead Stands.....	242	Solid Truss Adaptors.....	61
P			
Pantographs	291	Space Savers	46
Pegasus Stands	248	Speciality Couplers.....	48
Pelmet Clips and Sockets.....	129	Speedrail	156
Pipe to Pipe Clamps (steel).....	80	Spigots.....	252
Pipe to Pipe Couplers (alu).....	53	Stage Braces	137
Pipe to Wall Brackets	148	Stainless Fixings.....	15
Pipeclamps	164	Stand Accessories	228
Pivot Arm	204	Stands	235
Pole Op Yokes	222	Strata Stands.....	246
PolyHolders	211	Stud Hanger	78
Professional Followspot.....	251	Studio Rail 60	266
Projector Cradles	223	Studio Rail 80	279
Projector Mounts	223	Studio Stands	237
Pulleys - Heavy Duty	120	Supaclamps.....	203
Pulleys - Standard	116	Super Lightweight Clamps.....	25
Q			
Quick Links	102	Suspension Clamps.....	74
Quick Trigger Clamps	40	Swivel Arms	138
R			
Reutlingers	104	T	
Risers	215	Tank Traps	139
Roller Stands	241	Tee Bars	234
		Thimbles	101
		Titan Quick Trigger Clamps	44
		Tough Boxes.....	263
		Transporter Trolleys.....	226
		Trigger Clamps	36
		Truss Adaptors	57
		TV Brackets.....	224
		Twenty Clamp.....	4

Name	Page
U	
Universal Clamps	77
Universal Hanger.....	215
Universal Joint.....	75
W	
Wall Brackets.....	147
Wall Hanger.....	75
Wall Plates.....	142
Winch Stands	246
Wind Up Stands.....	244
Wire Rope.....	125
Worm Gear Winches	126
Z	
Zenith Stands	247

Terms and Conditions

For terms and conditions refer to web site: www.doughty-engineering.co.uk

Note: Whilst every effort has been made to ensure that the information contained within this catalogue is correct, Doughty Engineering does not accept any liability for errors or omissions. Specifications and technical data are intended for guidance purposes only and may vary.

The buyer shall indemnify the seller against all claims in respect of any loss, injury, or damage sustained by a third party arising from the sale of the goods to the buyer howsoever caused and also against all actions, proceedings, costs, claims, demands and expenses brought or claimed against the seller in respect of the infringement of any patent, trademark, registered design or similar right arising from the manufacture or supply of any goods or the doing of any work or the use of any article or material by the seller to the design or specification or upon the instructions or order of the buyer.

Doughty Engineering Ltd

Crow Arch Lane
Ringwood
Hampshire BH24 1NZ
United Kingdom

Tel: +44 1425 478961

Email: sales@doughty-engineering.co.uk
www.doughty-engineering.co.uk